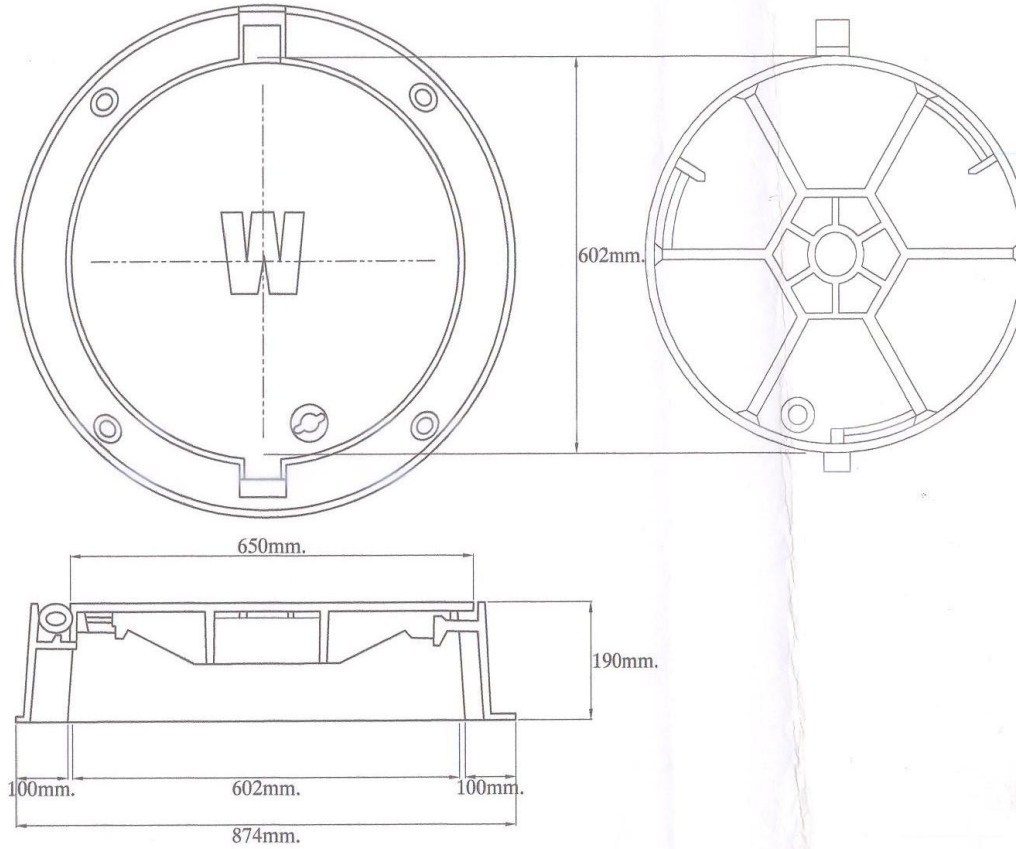


600mm.Ø D.I. MANHOLE COVER & FRAME

D.I. MANHOLE COVER



SECTION

	REVISIONS REV. DATE BY DESCRIPTION	PREPARED AND DRAWN BY:  FELIXBERTO R. CAARE, JR. RMP RESEARCHER-A (I.O.) OPERATIONS GROUP	REVIEWED AND SUBMITTED:  MARK BENEDICT C. REYES OIC - NEW MANAGEMENT DIVISION	RECOMMENDING APPROVAL:  ALEJO S. ROJAS, JR. ASSISTANT GENERAL MANAGER OPERATIONS GROUP	APPROVED BY:  FOR AND BY THE ASSISTANT GENERAL MANAGER ARNULFO A. ALFONSO Assistant General Manager LEONARDO REY D. MASQUEZ GENERAL MANAGER ZAMBOANGA CITY WATER DISTRICT	PROJECT: 600mmØ D.I. MANHOLE COVER AND FRAME SHOP DRAWING	SHEET NO. 1 / 1
	SHEET CONTENT: AS INDICATED						