

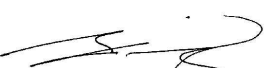






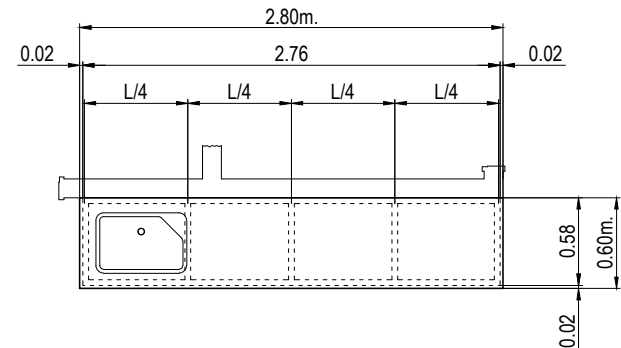
TYPICAL DETAIL OF CONCEALED HINGES

EXPLODED VIEW

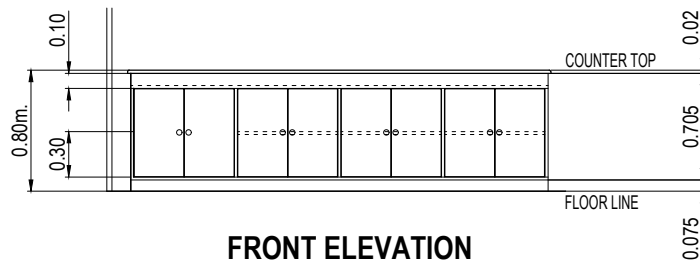
DETAIL OF COUNTER 7

SCALE: 1:20M. **C7**

	<table border="1"> <thead> <tr> <th colspan="5">REVISIONS</th> </tr> <tr> <th>REV.</th> <th>DATE</th> <th>BY</th> <th colspan="2">DESCRIPTION</th> </tr> </thead> <tbody> <tr><td> </td><td> </td><td> </td><td> </td><td> </td></tr> <tr><td> </td><td> </td><td> </td><td> </td><td> </td></tr> <tr><td> </td><td> </td><td> </td><td> </td><td> </td></tr> </tbody> </table>				REVISIONS					REV.	DATE	BY	DESCRIPTION																	PROJECT: PROPOSED LABORATORY RENOVATION, ZCWD WATER TREATMENT PLANT, ZAMBOANGA CITY	DRAWN BY:  ARTHUR A. REYES <small>PRINCIPAL DRAFTSMAN B - DESIGN DIVISION</small>	PREPARED BY:  BUNNY L. DAMPIOS <small>SENIOR ENGINEER A - DESIGN DIVISION</small>	CHECKED & REVIEWED BY:  REX D. SALE, JR. <small>SUPERVISING ENGINEER A - DESIGN DIVISION</small>	REVIEWED AND SUBMITTED BY:  EDITO M. BAUTISTA, JR. <small>OIC - DESIGN DIVISION</small>	RECOMMENDING PROJECT IMPLEMENTATION:  MARLI ACOSTA - DE FIESTA <small>DM A - ENGINEERING & CONSTRUCTION DEPARTMENT OIC - TECHNICAL SERVICES GROUP</small>	APPROVED FOR PROJECT IMPLEMENTATION:  LEONARDO REY D. VASQUEZ <small>GENERAL MANAGER</small>	SHEET NO. 27
	REVISIONS																																				
REV.	DATE	BY	DESCRIPTION																																		
SHEET CONTENT: AS INDICATED																																					

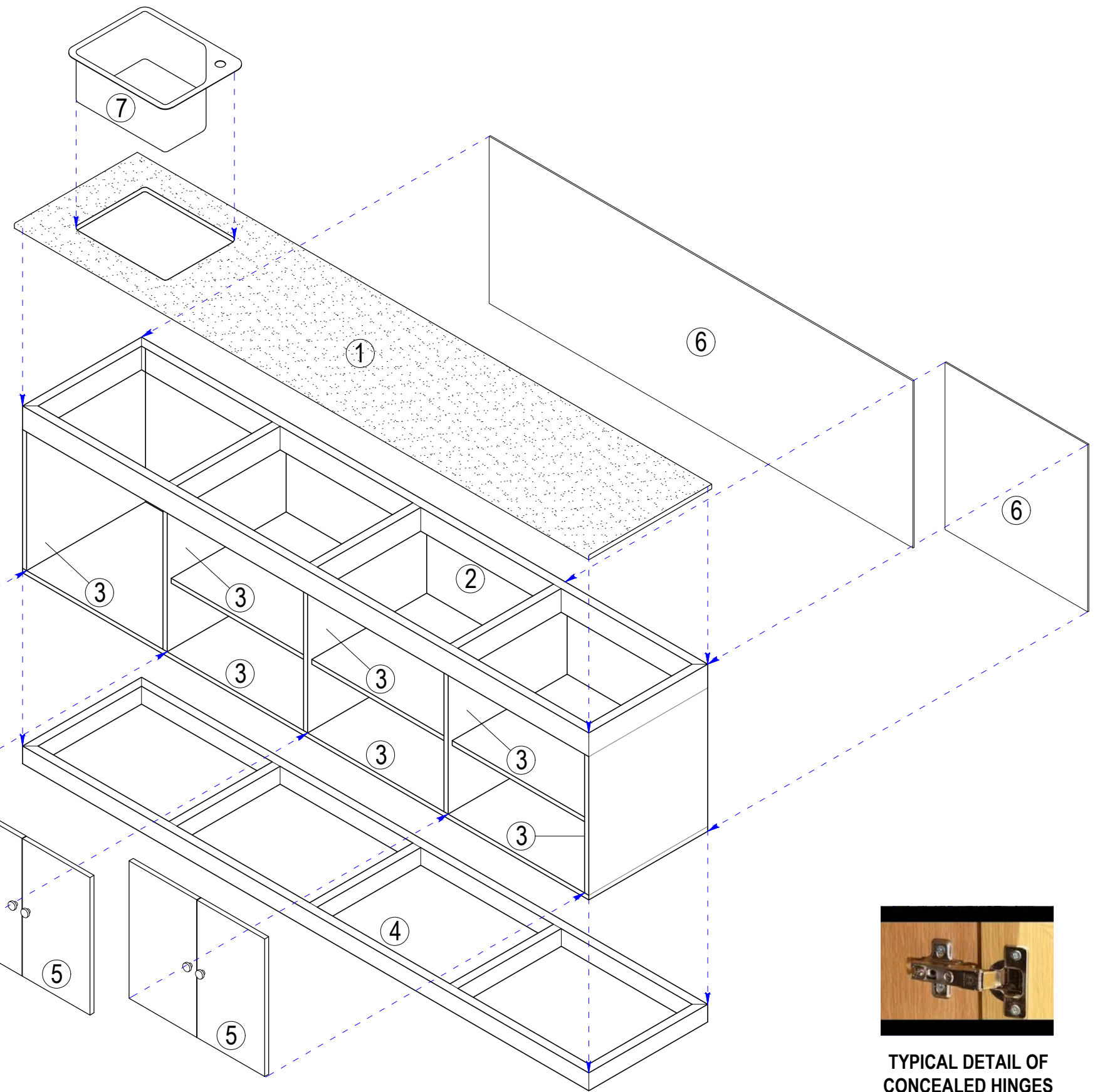


PLAN



FRONT ELEVATION

DETAIL OF COUNTER 8
SCALE: 1:50M. (C8)



EXPLODED VIEW

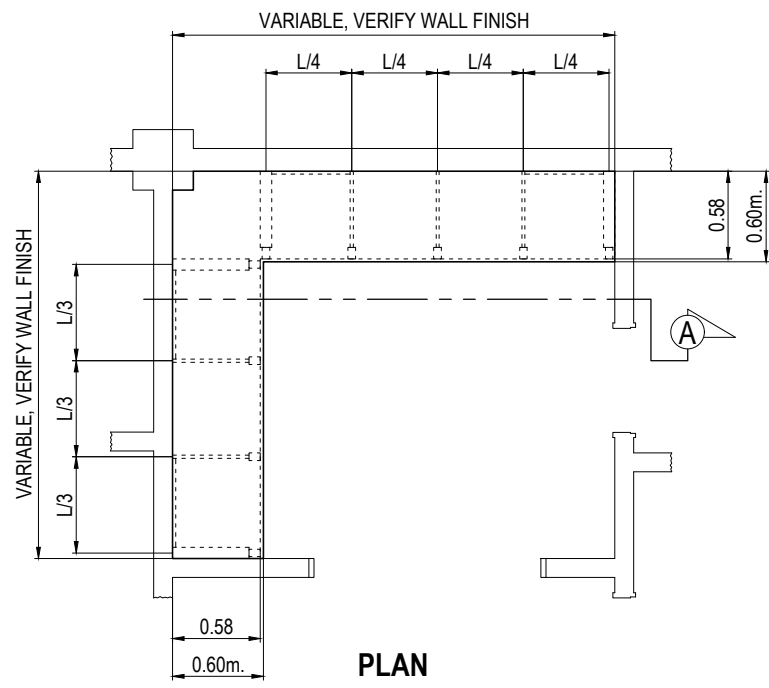
LEGEND:

- ① 20mm. thk. GRANITE COUNTER TOP
- ② 38mm. thk. x 100mm. HARD WOOD TOP FRAME
- ③ 20mm. thk. MARINE PLYWOOD
- ④ 38mm. thk. x 75mm. HARD WOOD BASE FRAME
- ⑤ 20mm. thk. MARINE PLYWOOD CABINET DOORS, PROVIDE CONCEALED HINGES (2pcs./door), MAGNETIC CATCHES AND PULLS
- ⑥ 6mm. thk. MARINE PLYWOOD BACK BOARD
- ⑦ STAINLESS STEEL KITCHEN SINK

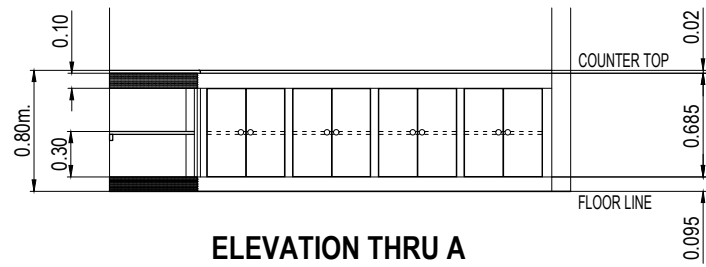
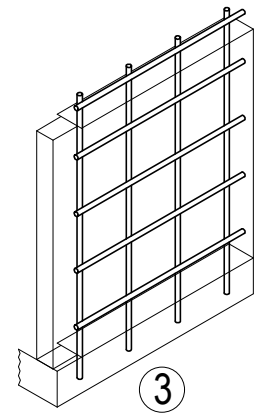


TYPICAL DETAIL OF CONCEALED HINGES

	REVISIONS REV. DATE BY DESCRIPTION				PROJECT: PROPOSED LABORATORY RENOVATION, ZCWD WATER TREATMENT PLANT, ZAMBOANGA CITY	DRAWN BY: ARTHUR A. REYES PRINCIPAL DRAFTSMAN B - DESIGN DIVISION	PREPARED BY: BUNNY L. DAMPIOS SENIOR ENGINEER A - DESIGN DIVISION	CHECKED & REVIEWED BY: REX D. SALE, JR. SUPERVISING ENGINEER A - DESIGN DIVISION	REVIEWED AND SUBMITTED BY: EDITO M. BAUTISTA, JR. OIC - DESIGN DIVISION	RECOMMENDING PROJECT IMPLEMENTATION: MARLI ACOSTA - DE FIESTA DM A - ENGINEERING & CONSTRUCTION DEPARTMENT OIC - TECHNICAL SERVICES GROUP	APPROVED FOR PROJECT IMPLEMENTATION: LEONARDO REY D. VASQUEZ GENERAL MANAGER	SHEET NO. 28
	SHEET CONTENT: AS INDICATED											



TYPICAL DETAIL OF CONCEALED HINGES

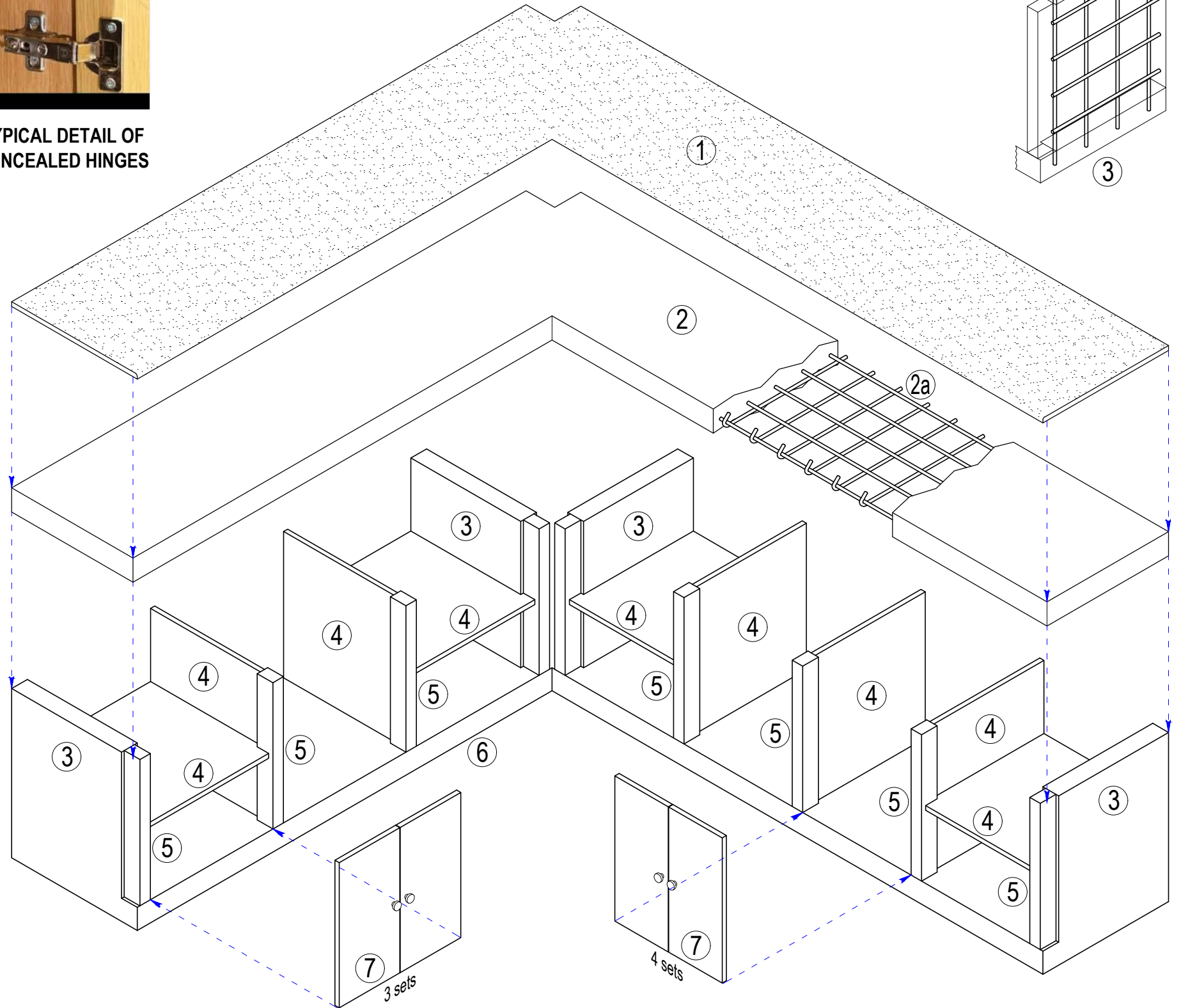



DETAIL OF COUNTER 9 C9

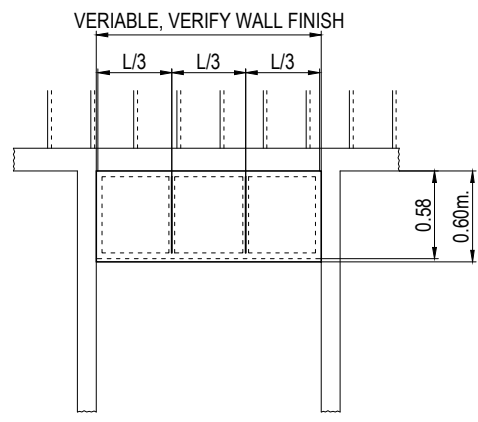
SCALE: 1:50M.

LEGEND:

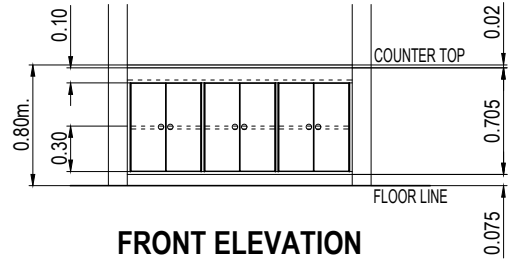
- ① 20mm. thk. GRANITE COUNTER TOP
- ② 100mm. thk. CONCRETE SLAB
- ②a 12mm.Ø LONGITUDINAL REBAR AT 0.126m. O. C. WITH 12mm.Ø TRAVERSE REBAR AT 0.15m. O. C.
- ③ 75mm. thk. CONCRETE WALL WITH 12mm.Ø REBAR AT 0.15m. BOTH WAYS
- ④ 20mm. thk. MARINE PLYWOOD
- ⑤ 50mm. x 75mm. HARD WOOD
- ⑥ 95mm. thk. CONCRETE SLAB WITH 10mm.Ø TEMP. REBAR AT 0.50m. BOTH WAYS
- ⑦ 20mm. thk. MARINE PLYWOOD CABINET DOORS, PROVIDE CONCEALED HINGES (2pcs./door), MAGNETIC CATCHES AND PULLS



	REVISIONS				PROJECT:	DRAWN BY:	PREPARED BY:	CHECKED & REVIEWED BY:	REVIEWED AND SUBMITTED BY:	RECOMMENDING PROJECT IMPLEMENTATION:	APPROVED FOR PROJECT IMPLEMENTATION:	SHEET NO.
	REV.	DATE	BY	DESCRIPTION	PROPOSED LABORATORY RENOVATION, ZCWD WATER TREATMENT PLANT, ZAMBOANGA CITY	ARTHUR A. REYES PRINCIPAL DRAFTSMAN B - DESIGN DIVISION	BUNNY L. DAMPIOS SENIOR ENGINEER A - DESIGN DIVISION	REX D. SALE, JR. SUPERVISING ENGINEER A - DESIGN DIVISION	EDITO M. BAUTISTA, JR. OIC - DESIGN DIVISION	MARLI ACOSTA - DE FIESTA DM A - ENGINEERING & CONSTRUCTION DEPARTMENT OIC - TECHNICAL SERVICES GROUP	LEONARDO REY D. VASQUEZ GENERAL MANAGER	29

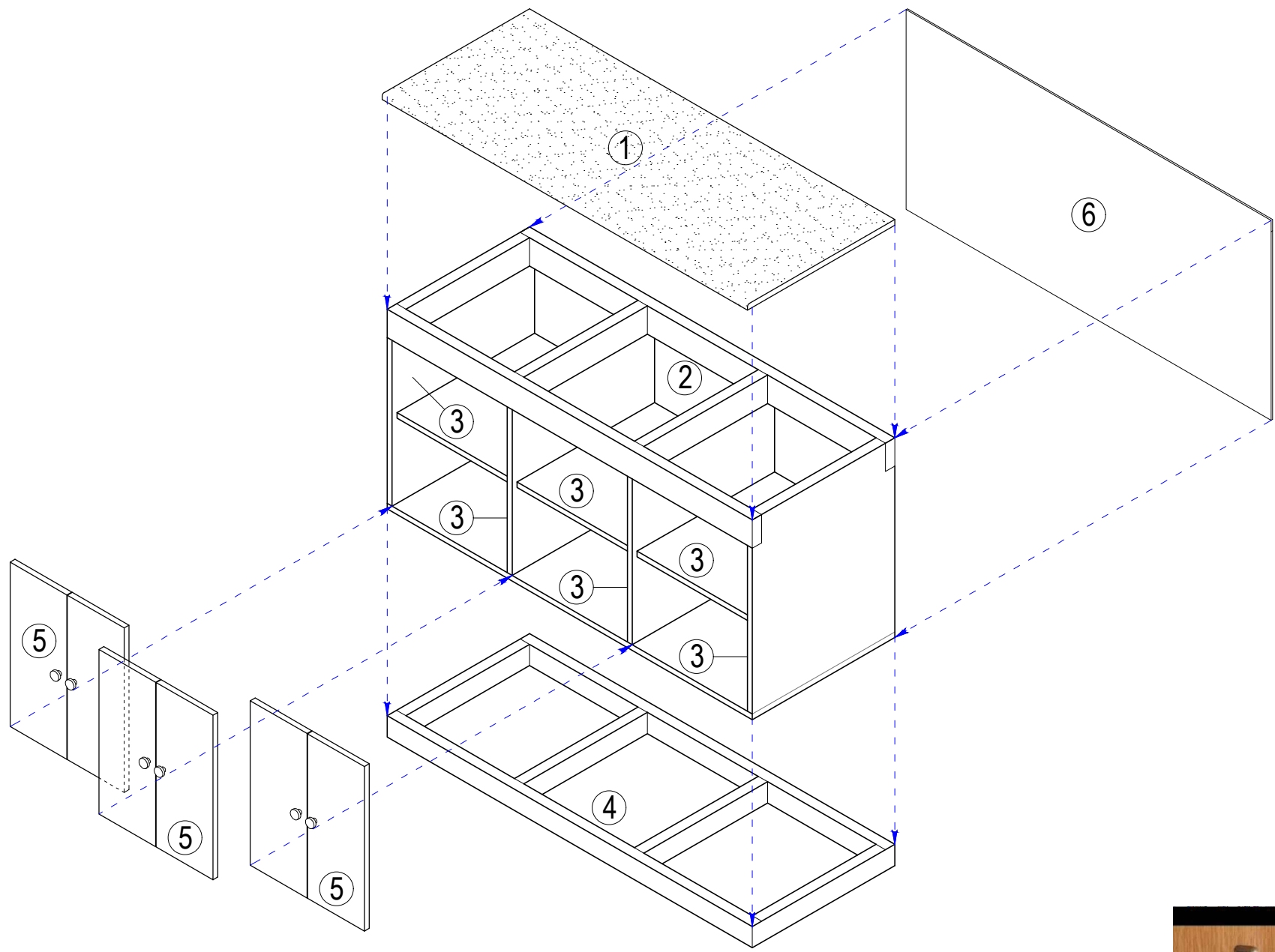


PLAN



FRONT ELEVATION

DETAIL OF COUNTER 10
SCALE: 1:50M. C10



EXPLODED VIEW

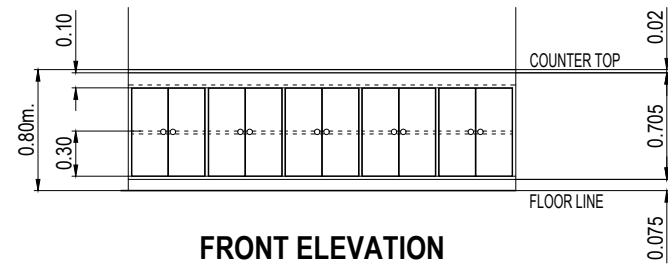
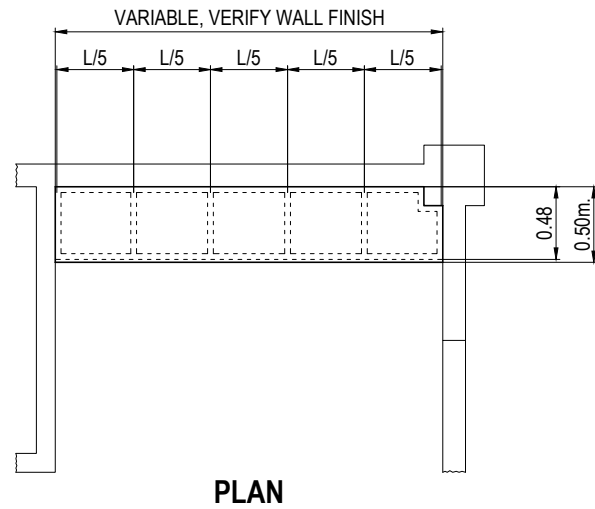
LEGEND:

- ① 20mm. thk. GRANITE COUNTER TOP
- ② 38mm. thk. x 100mm. HARD WOOD TOP FRAME
- ③ 20mm. thk. MARINE PLYWOOD
- ④ 38mm. thk. x 75mm. HARD WOOD BASE FRAME
- ⑤ 20mm. thk. MARINE PLYWOOD CABINET DOORS, PROVIDE CONCEALED HINGES (2pcs./door), MAGNETIC CATCHES AND PULLS
- ⑥ 6mm. thk. MARINE PLYWOOD BACK BOARD

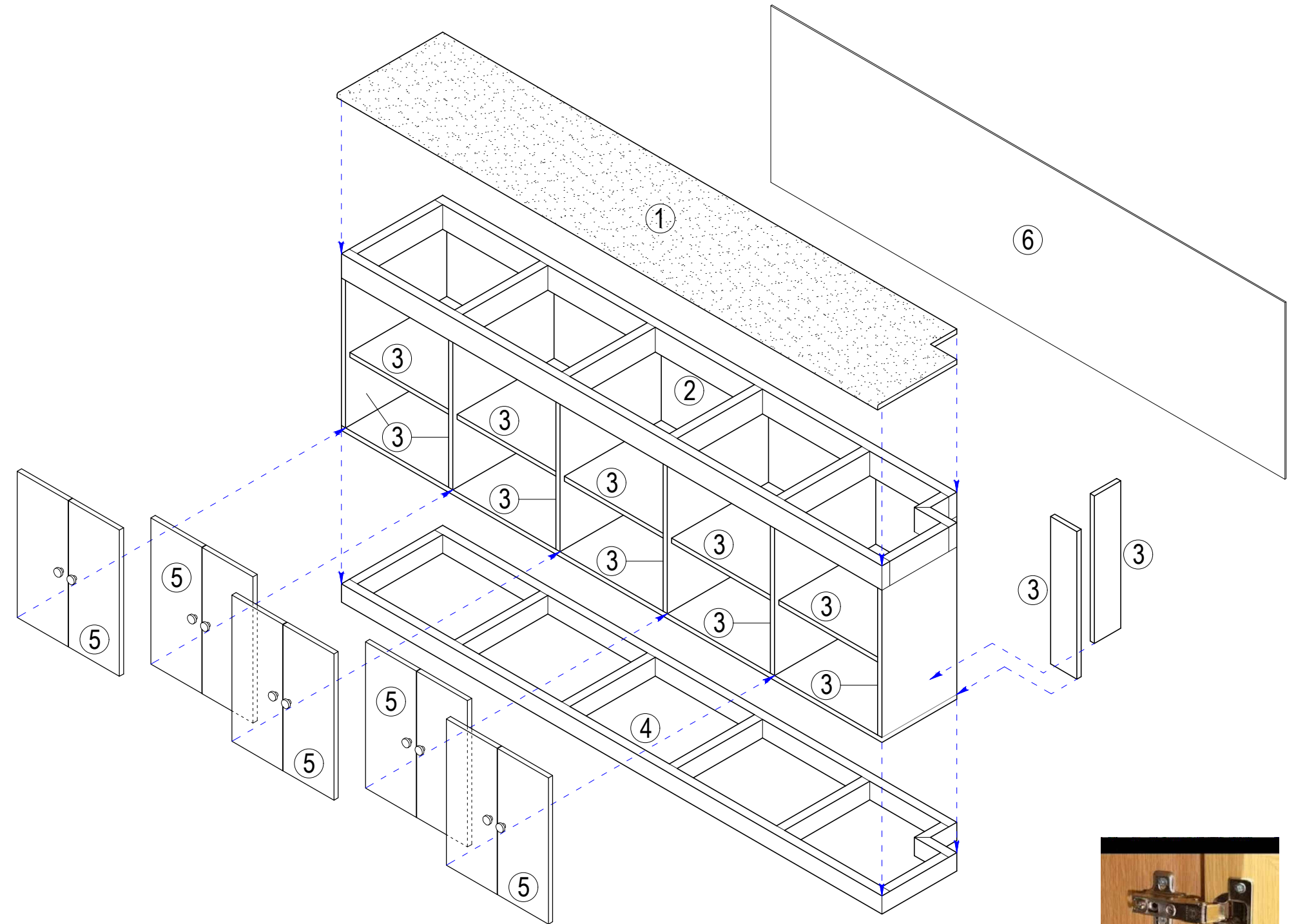


TYPICAL DETAIL OF CONCEALED HINGES

	<table border="1"> <thead> <tr> <th colspan="4">REVISIONS</th> </tr> <tr> <th>REV.</th> <th>DATE</th> <th>BY</th> <th>DESCRIPTION</th> </tr> </thead> <tbody> <tr> <td> </td> <td> </td> <td> </td> <td> </td> </tr> <tr> <td> </td> <td> </td> <td> </td> <td> </td> </tr> </tbody> </table>				REVISIONS				REV.	DATE	BY	DESCRIPTION									PROJECT: PROPOSED LABORATORY RENOVATION, ZCWD WATER TREATMENT PLANT, ZAMBOANGA CITY	DRAWN BY: ARTHUR A. REYES PRINCIPAL DRAFTSMAN B - DESIGN DIVISION	PREPARED BY: BUNNY L. DAMPIOS SENIOR ENGINEER A - DESIGN DIVISION	CHECKED & REVIEWED BY: REX D. SALE, JR. SUPERVISING ENGINEER A - DESIGN DIVISION	REVIEWED AND SUBMITTED BY: EDITO M. BAUTISTA, JR. OIC - DESIGN DIVISION	RECOMMENDING PROJECT IMPLEMENTATION: MARLI ACOSTA - DE FIESTA DM A - ENGINEERING & CONSTRUCTION DEPARTMENT OIC - TECHNICAL SERVICES GROUP	APPROVED FOR PROJECT IMPLEMENTATION: LEONARDO REY D. VASQUEZ GENERAL MANAGER	SHEET NO. 30
	REVISIONS																											
REV.	DATE	BY	DESCRIPTION																									
SHEET CONTENT: AS INDICATED																												



DETAIL OF COUNTER 11 (C11)
SCALE: 1:50M.



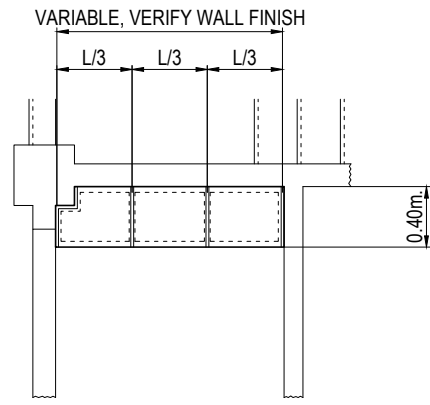
LEGEND:

- ① 20mm. thk. GRANITE COUNTER TOP
- ② 38mm. thk. x 100mm. HARD WOOD TOP FRAME
- ③ 20mm. thk. MARINE PLYWOOD
- ④ 38mm. thk. x 75mm. HARD WOOD BASE FRAME
- ⑤ 20mm. thk. MARINE PLYWOOD CABINET DOORS, PROVIDE CONCEALED HINGES (2pcs./door), MAGNETIC CATCHES AND PULLS
- ⑥ 6mm. thk. MARINE PLYWOOD BACK BOARD

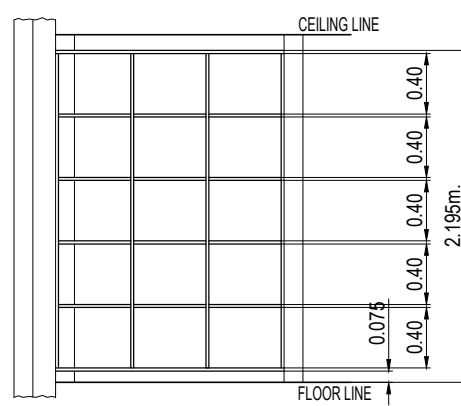


TYPICAL DETAIL OF CONCEALED HINGES

	REVISIONS REV. DATE BY DESCRIPTION				PROJECT: PROPOSED LABORATORY RENOVATION, ZCWD WATER TREATMENT PLANT, ZAMBOANGA CITY	DRAWN BY: ARTHUR A. REYES PRINCIPAL DRAFTSMAN B - DESIGN DIVISION	PREPARED BY: BUNNY L. DAMPIOS SENIOR ENGINEER A - DESIGN DIVISION	CHECKED & REVIEWED BY: REX D. SALE, JR. SUPERVISING ENGINEER A - DESIGN DIVISION	REVIEWED AND SUBMITTED BY: EDITO M. BAUTISTA, JR. OIC - DESIGN DIVISION	RECOMMENDING PROJECT IMPLEMENTATION: MARLI ACOSTA - DE FIESTA DM A - ENGINEERING & CONSTRUCTION DEPARTMENT OIC - TECHNICAL SERVICES GROUP	APPROVED FOR PROJECT IMPLEMENTATION: LEONARDO REY D. VASQUEZ GENERAL MANAGER	SHEET NO. 31
	SHEET CONTENT: AS INDICATED											



PLAN

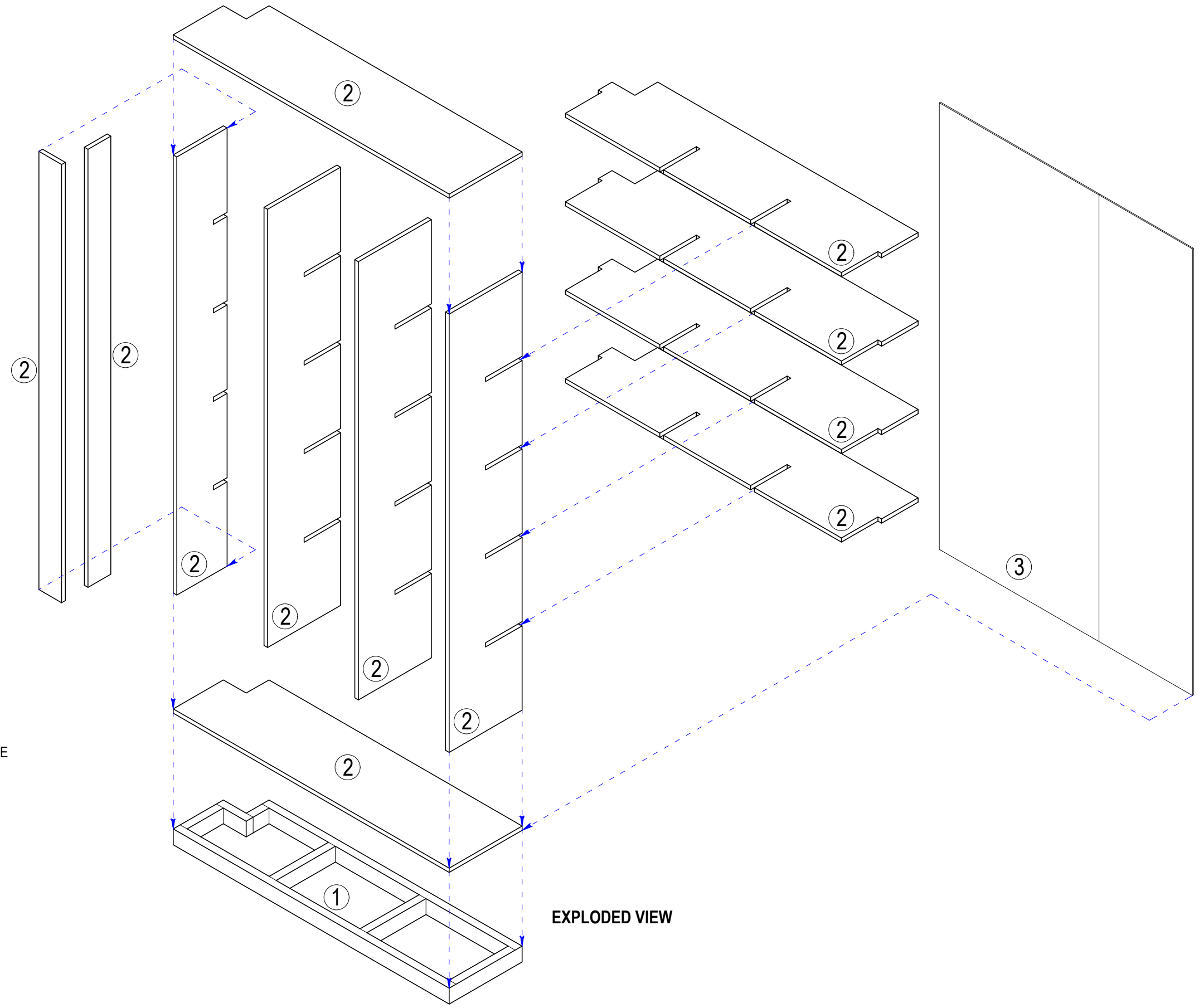


FRONT ELEVATION







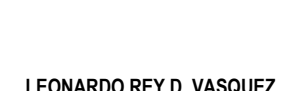
DETAIL OF SHELF 1
SCALE: 1:50M. (S1)

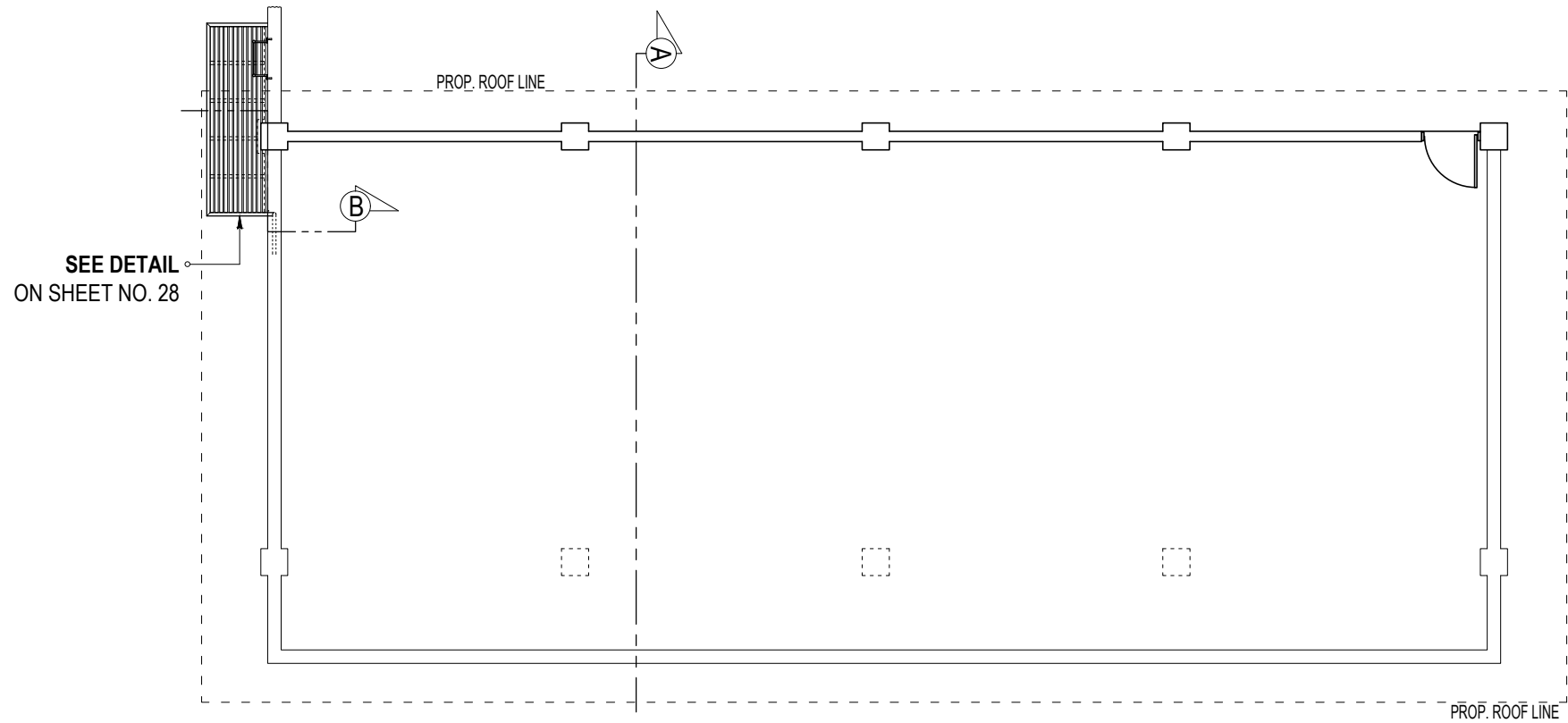
LEGEND:

- ① 38mm. thk. x 75mm. HARD WOOD BASE FRAME
- ② 20mm. thk. MARINE PLYWOOD
- ③ 6mm. thk. MARINE PLYWOOD BACK BOARD



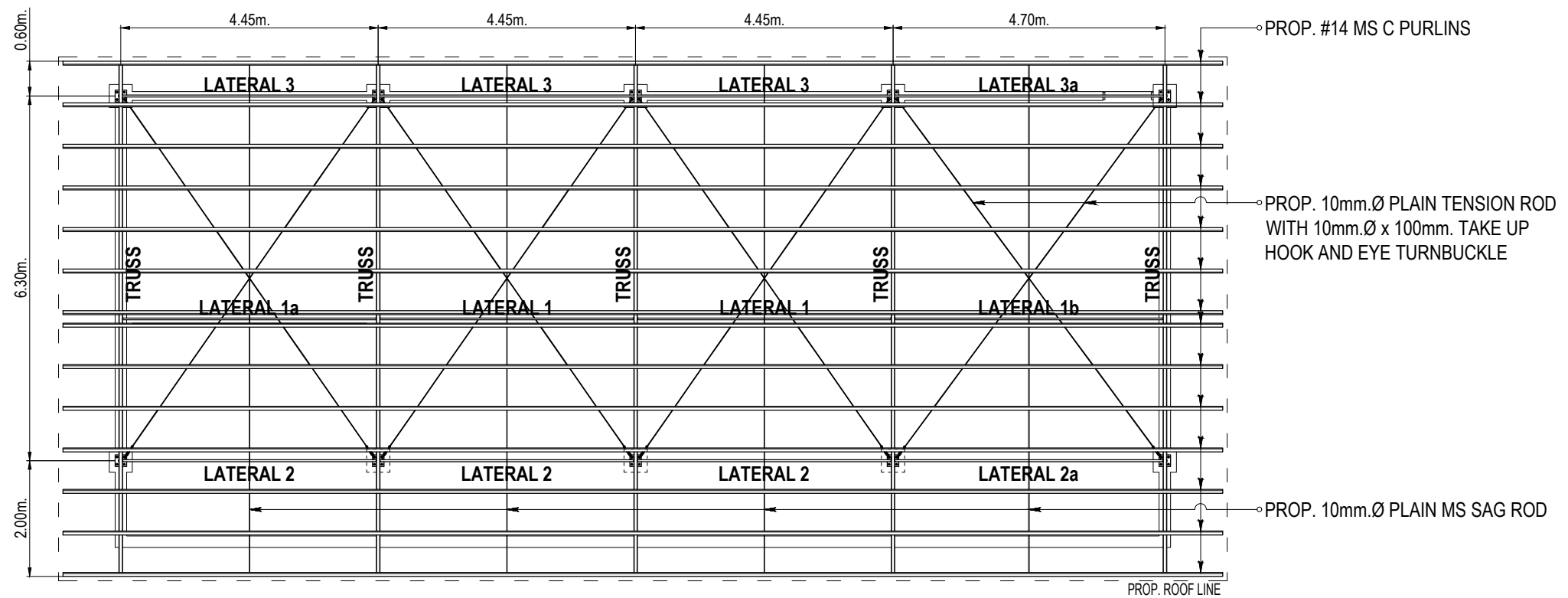
EXPLODED VIEW

	<table border="1"> <thead> <tr> <th colspan="4">REVISIONS</th> </tr> <tr> <th>REV.</th> <th>DATE</th> <th>BY</th> <th>DESCRIPTION</th> </tr> </thead> <tbody> <tr> <td> </td> <td> </td> <td> </td> <td> </td> </tr> <tr> <td> </td> <td> </td> <td> </td> <td> </td> </tr> </tbody> </table>				REVISIONS				REV.	DATE	BY	DESCRIPTION									PROJECT: PROPOSED LABORATORY RENOVATION, ZCWD WATER TREATMENT PLANT, ZAMBOANGA CITY	DRAWN BY:  ARTHUR A. REYES PRINCIPAL DRAFTSMAN B - DESIGN DIVISION	PREPARED BY:  BUNNY L. DAMPIOS SENIOR ENGINEER A - DESIGN DIVISION	CHECKED & REVIEWED BY:  REX D. SALE, JR. SUPERVISING ENGINEER A - DESIGN DIVISION	REVIEWED AND SUBMITTED BY:  EDITO M. BAUTISTA, JR. OIC - DESIGN DIVISION	RECOMMENDING PROJECT IMPLEMENTATION:  MARLI ACOSTA - DE FIESTA DM A - ENGINEERING & CONSTRUCTION DEPARTMENT OIC - TECHNICAL SERVICES GROUP	APPROVED FOR PROJECT IMPLEMENTATION:  LEONARDO REY D. VASQUEZ GENERAL MANAGER	SHEET NO. 32
	REVISIONS																											
REV.	DATE	BY	DESCRIPTION																									
SHEET CONTENT: AS INDICATED		Digitally signed by Acosta-De Fiesta Marli Patagoc Date: 2021.06.04 10:32:22 +08'00'																										



EXISTING ROOF DECK FLOOR PLAN

SCALE: 1:100M.



PROP. ROOF FRAMING PLAN

SCALE: 1:100M.



REVISIONS				
REV.	DATE	BY	DESCRIPTION	

PROJECT: PROPOSED LABORATORY RENOVATION, ZCWD WATER TREATMENT PLANT, ZAMBOANGA CITY

SHEET CONTENT: AS INDICATED

DRAWN BY: ARTHUR A. REYES
PRINCIPAL DRAFTSMAN B - DESIGN DIVISION

PREPARED BY: BUNNY L. DAMPIOS
SENIOR ENGINEER A - DESIGN DIVISION

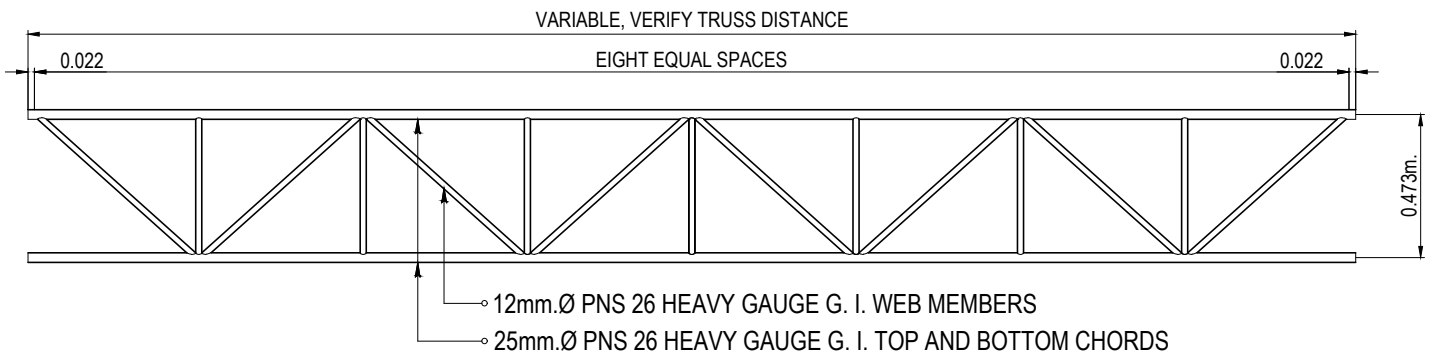
CHECKED & REVIEWED BY: REX D. SALE, JR.
SUPERVISING ENGINEER A - DESIGN DIVISION

REVIEWED AND SUBMITTED BY: EDITO M. BAUTISTA, JR.
OIC - DESIGN DIVISION

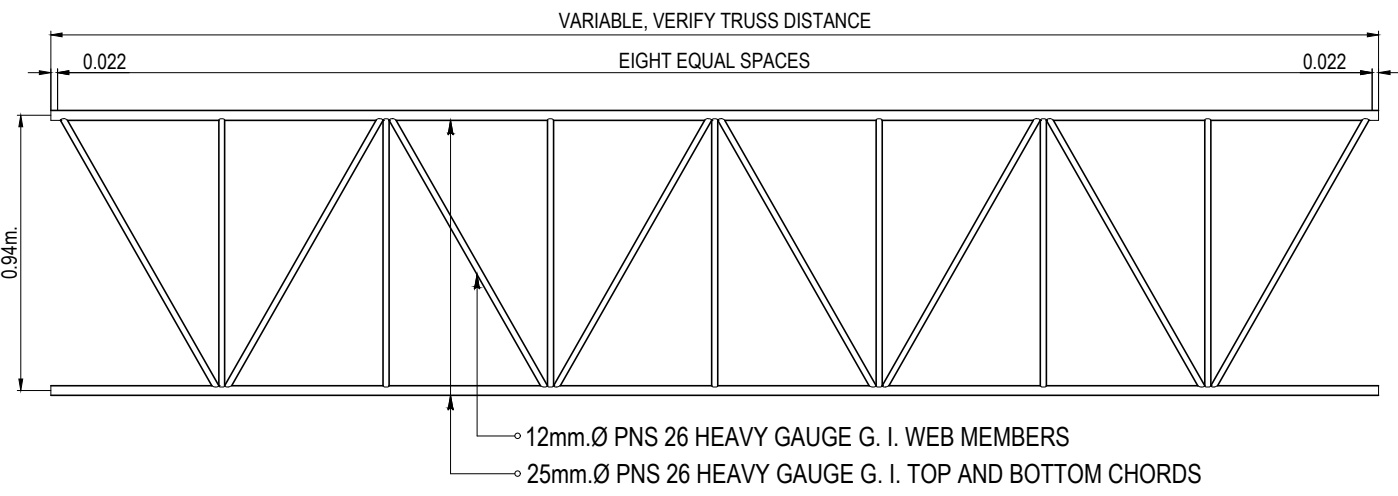
RECOMMENDING PROJECT IMPLEMENTATION: MARLI ACOSTA - DE FIESTA
DM A - ENGINEERING & CONSTRUCTION DEPARTMENT
OIC - TECHNICAL SERVICES GROUP

APPROVED FOR PROJECT IMPLEMENTATION: LEONARDO REY D. VASQUEZ
GENERAL MANAGER

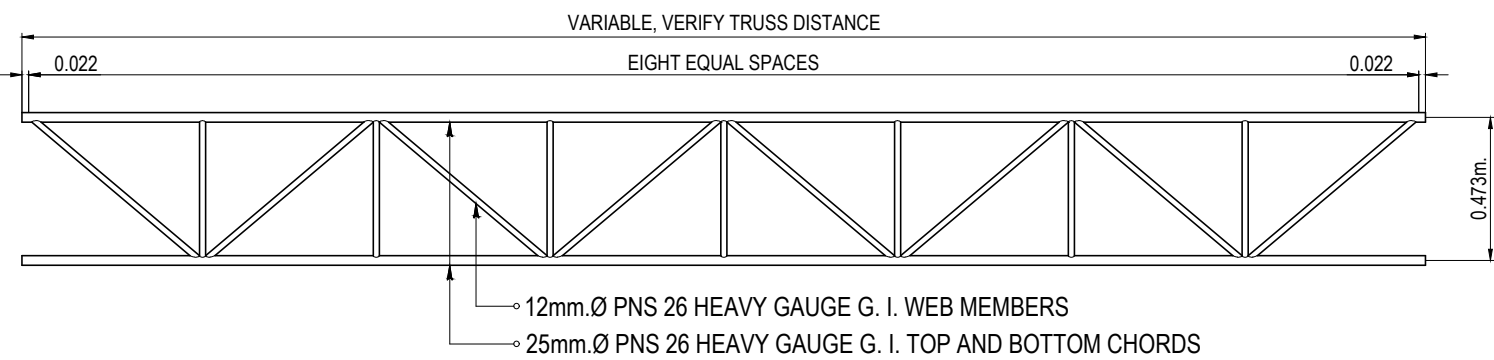
SHEET NO. 33



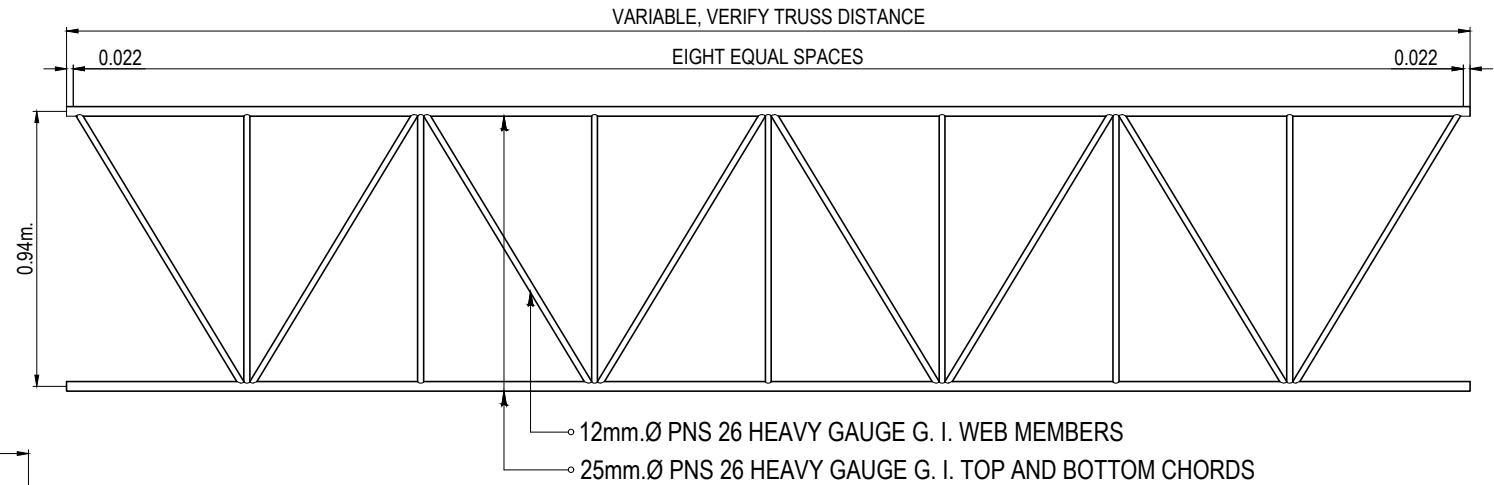
LATERAL 2



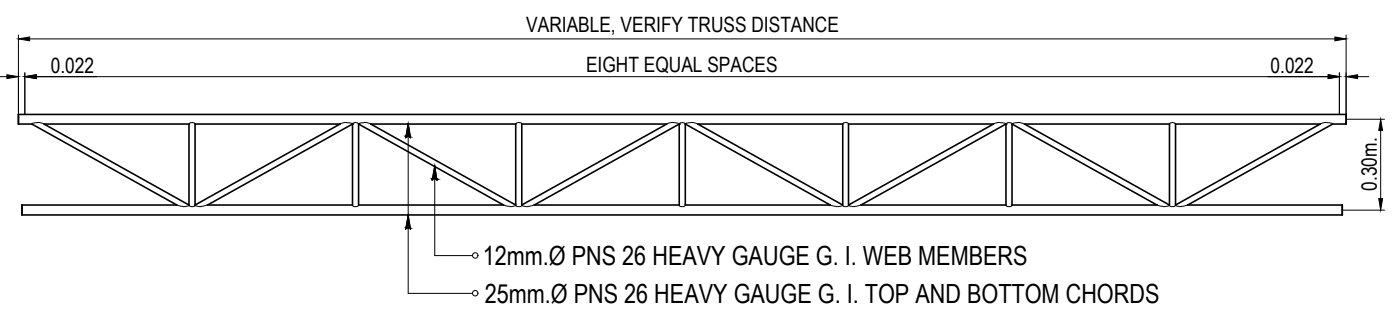
LATERAL 1



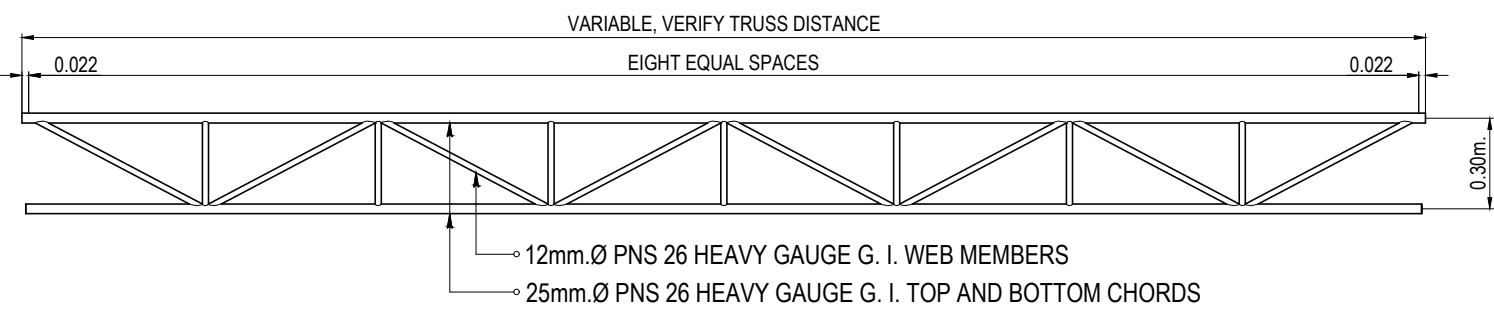
LATERAL 2a



LATERAL 1a



LATERAL 3

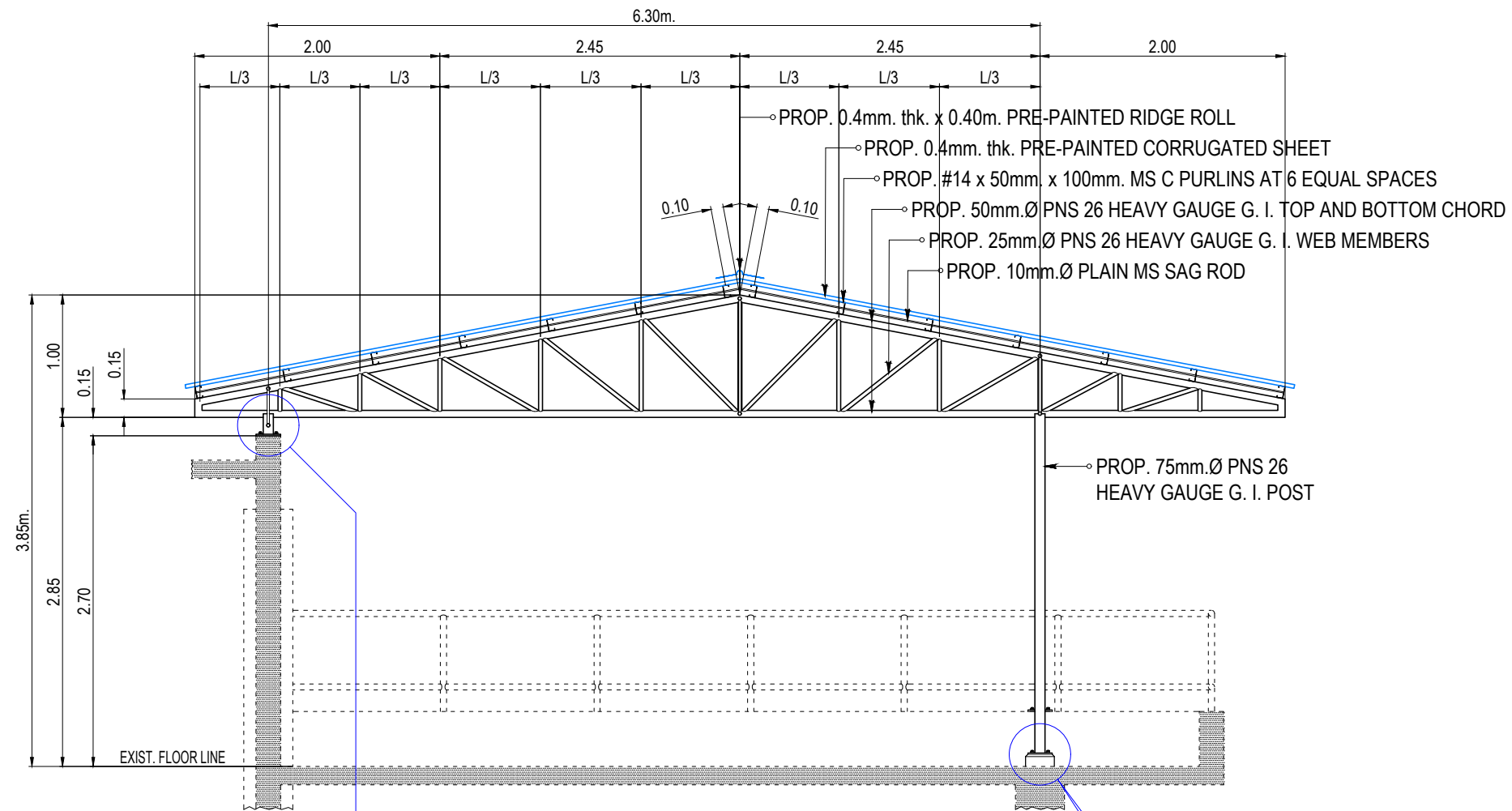


LATERAL 3a

DETAIL OF LATERALS

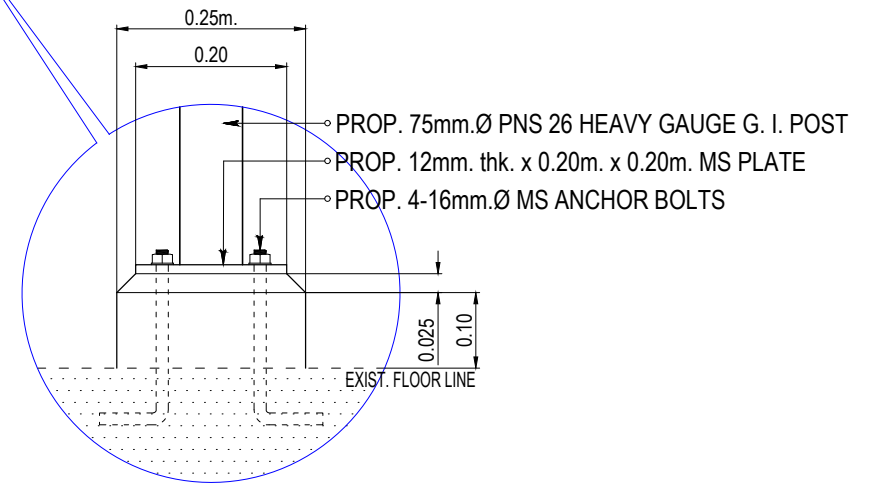
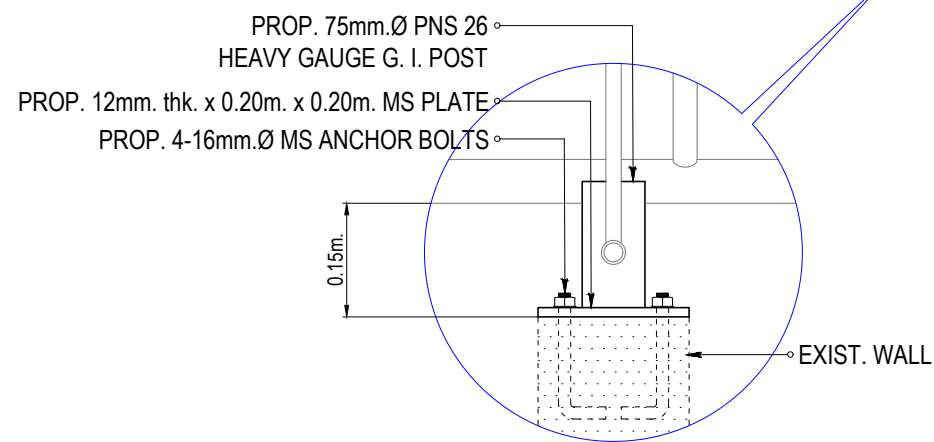
SCALE: 1:250M.

	<table border="1"> <thead> <tr> <th colspan="5">REVISIONS</th> </tr> <tr> <th>REV.</th> <th>DATE</th> <th>BY</th> <th colspan="2">DESCRIPTION</th> </tr> </thead> <tbody> <tr> <td> </td> <td> </td> <td> </td> <td colspan="2"> </td> </tr> <tr> <td> </td> <td> </td> <td> </td> <td colspan="2"> </td> </tr> </tbody> </table>				REVISIONS					REV.	DATE	BY	DESCRIPTION												PROJECT: PROPOSED LABORATORY RENOVATION, ZCWD WATER TREATMENT PLANT, ZAMBOANGA CITY	DRAWN BY: ARTHUR A. REYES PRINCIPAL DRAFTSMAN B - DESIGN DIVISION	PREPARED BY: BUNNY L. DAMPIOS SENIOR ENGINEER A - DESIGN DIVISION	CHECKED & REVIEWED BY: REX D. SALE, JR. SUPERVISING ENGINEER A - DESIGN DIVISION	REVIEWED AND SUBMITTED BY: EDITO M. BAUTISTA, JR. OIC - DESIGN DIVISION	RECOMMENDING PROJECT IMPLEMENTATION: MARLI ACOSTA - DE FIESTA DM A - ENGINEERING & CONSTRUCTION DEPARTMENT OIC - TECHNICAL SERVICES GROUP	APPROVED FOR PROJECT IMPLEMENTATION: LEONARDO REY D. VASQUEZ GENERAL MANAGER	SHEET NO. 34
	REVISIONS																															
REV.	DATE	BY	DESCRIPTION																													
SHEET CONTENT: AS INDICATED																																

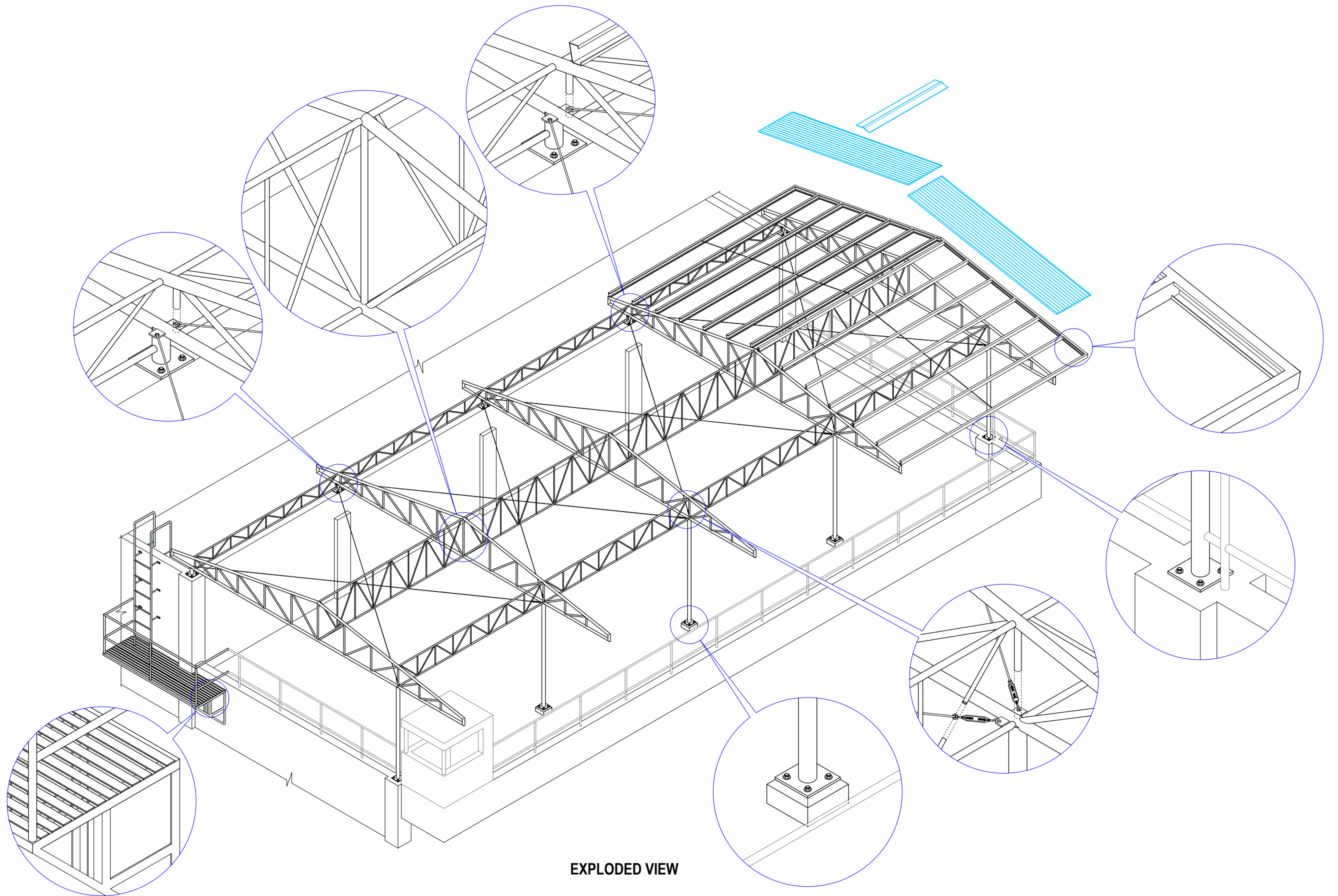


CROSS SECTION THRU A








SCALE: 1:50M.

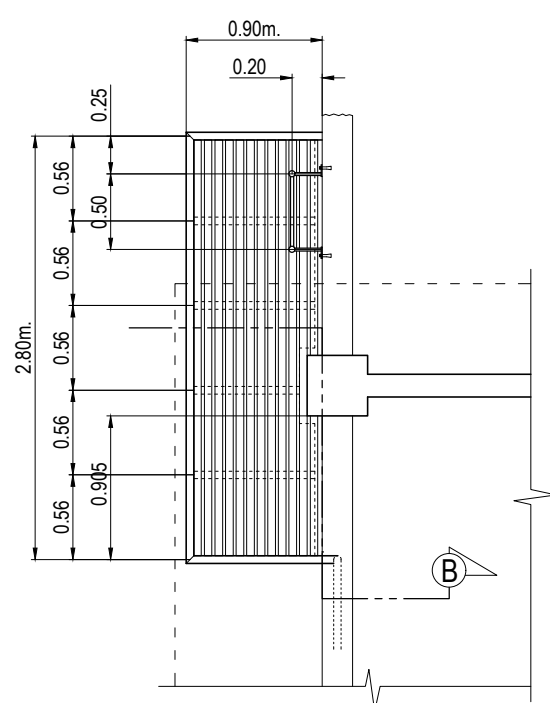


	<table border="1"> <thead> <tr> <th colspan="4">REVISIONS</th> </tr> <tr> <th>REV.</th> <th>DATE</th> <th>BY</th> <th>DESCRIPTION</th> </tr> </thead> <tbody> <tr> <td> </td> <td> </td> <td> </td> <td> </td> </tr> <tr> <td> </td> <td> </td> <td> </td> <td> </td> </tr> </tbody> </table>				REVISIONS				REV.	DATE	BY	DESCRIPTION									PROJECT: PROPOSED LABORATORY RENOVATION, ZCWD WATER TREATMENT PLANT, ZAMBOANGA CITY	DRAWN BY: ARTHUR A. REYES PRINCIPAL DRAFTSMAN B - DESIGN DIVISION	PREPARED BY: BUNNY L. DAMPIOS SENIOR ENGINEER A - DESIGN DIVISION	CHECKED & REVIEWED BY: REX D. SALE, JR. SUPERVISING ENGINEER A - DESIGN DIVISION	REVIEWED AND SUBMITTED BY: EDITO M. BAUTISTA, JR. OIC - DESIGN DIVISION	RECOMMENDING PROJECT IMPLEMENTATION: MARLI ACOSTA - DE FIESTA DM A - ENGINEERING & CONSTRUCTION DEPARTMENT OIC - TECHNICAL SERVICES GROUP	APPROVED FOR PROJECT IMPLEMENTATION: LEONARDO REY D. VASQUEZ GENERAL MANAGER	SHEET NO. 35
	REVISIONS																											
REV.	DATE	BY	DESCRIPTION																									
SHEET CONTENT: AS INDICATED																												

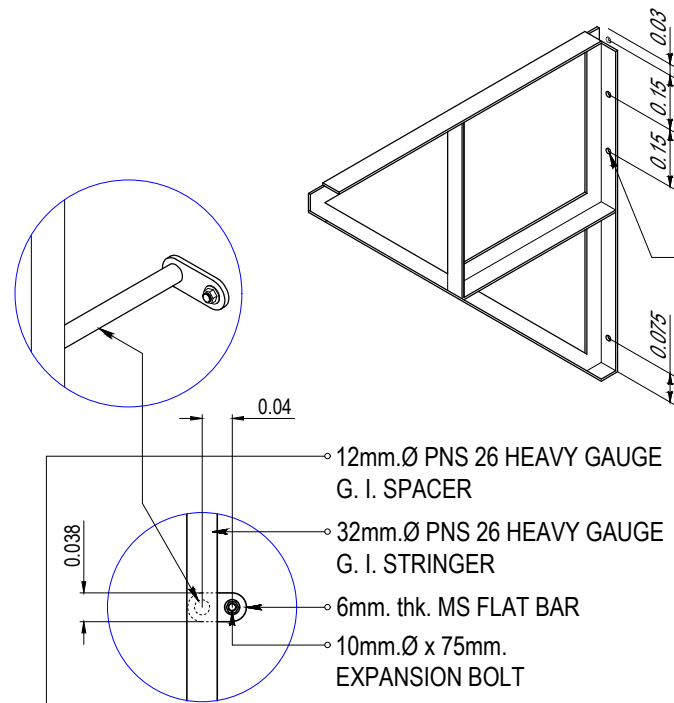


EXPLODED VIEW

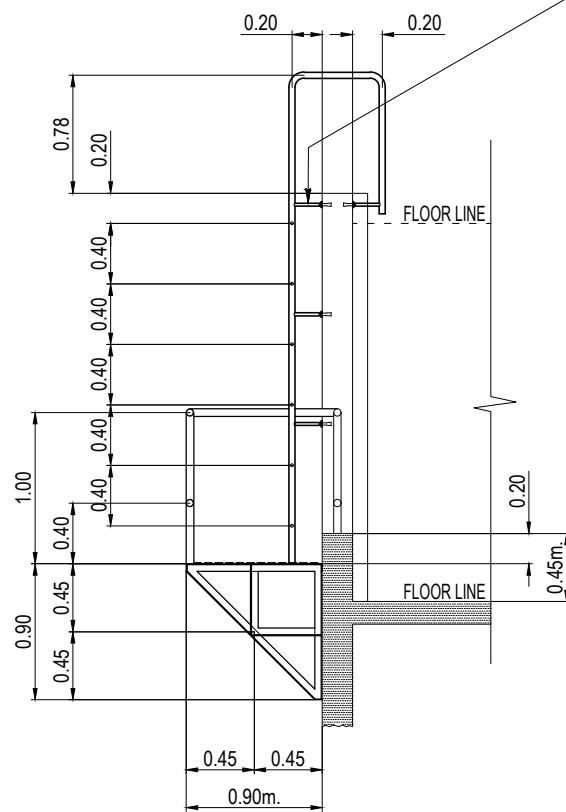
	<table border="1"> <thead> <tr> <th colspan="5">REVISIONS</th> </tr> <tr> <th>REV.</th> <th>DATE</th> <th>BY</th> <th colspan="2">DESCRIPTION</th> </tr> </thead> <tbody> <tr><td> </td><td> </td><td> </td><td> </td><td> </td></tr> <tr><td> </td><td> </td><td> </td><td> </td><td> </td></tr> <tr><td> </td><td> </td><td> </td><td> </td><td> </td></tr> </tbody> </table>				REVISIONS					REV.	DATE	BY	DESCRIPTION																	PROJECT: PROPOSED LABORATORY RENOVATION, ZCWD WATER TREATMENT PLANT, ZAMBOANGA CITY	DRAWN BY:  ARTHUR A. REYES <small>PRINCIPAL DRAFTSMAN B - DESIGN DIVISION</small>	PREPARED BY:  BUNNY L. DAMPIOS <small>SENIOR ENGINEER A - DESIGN DIVISION</small>	CHECKED & REVIEWED BY:  REX D. SALE, JR. <small>SUPERVISING ENGINEER A - DESIGN DIVISION</small>	REVIEWED AND SUBMITTED BY:  EDITO M. BAUTISTA, JR. <small>OIC - DESIGN DIVISION</small>	RECOMMENDING PROJECT IMPLEMENTATION:  MARLI ACOSTA - DE FIESTA <small>DM A - ENGINEERING & CONSTRUCTION DEPARTMENT OIC - TECHNICAL SERVICES GROUP</small>	APPROVED FOR PROJECT IMPLEMENTATION:  LEONARDO REY D. VASQUEZ <small>GENERAL MANAGER</small>	SHEET NO. 36
	REVISIONS																																				
REV.	DATE	BY	DESCRIPTION																																		
SHEET CONTENT: AS INDICATED																																					



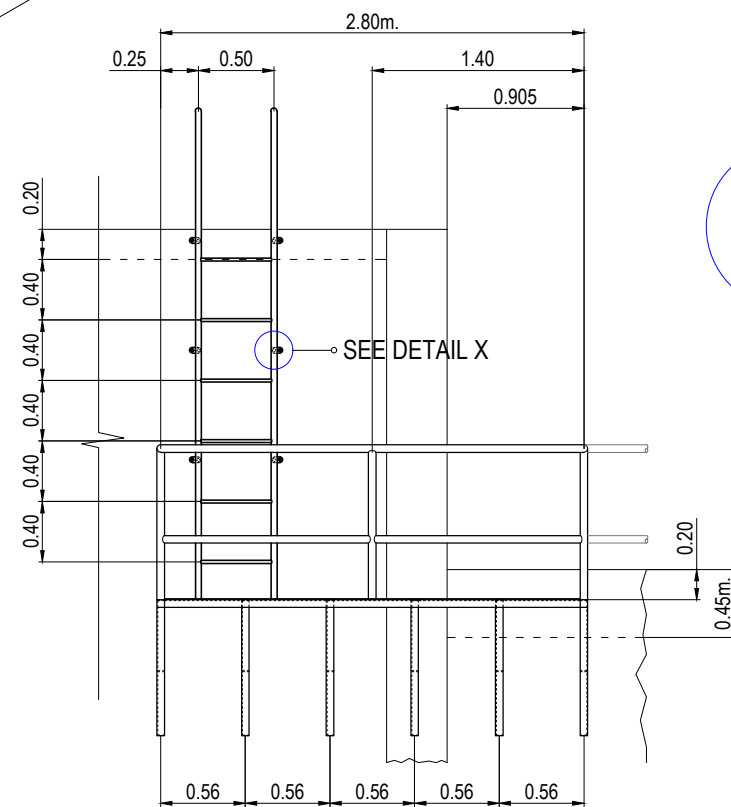
PLAN



DETAIL X



CROSS SECTION THRU B



LEFT SIDE ELEVATION

DETAIL OF FLAT FORM

SCALE: 1:50M.

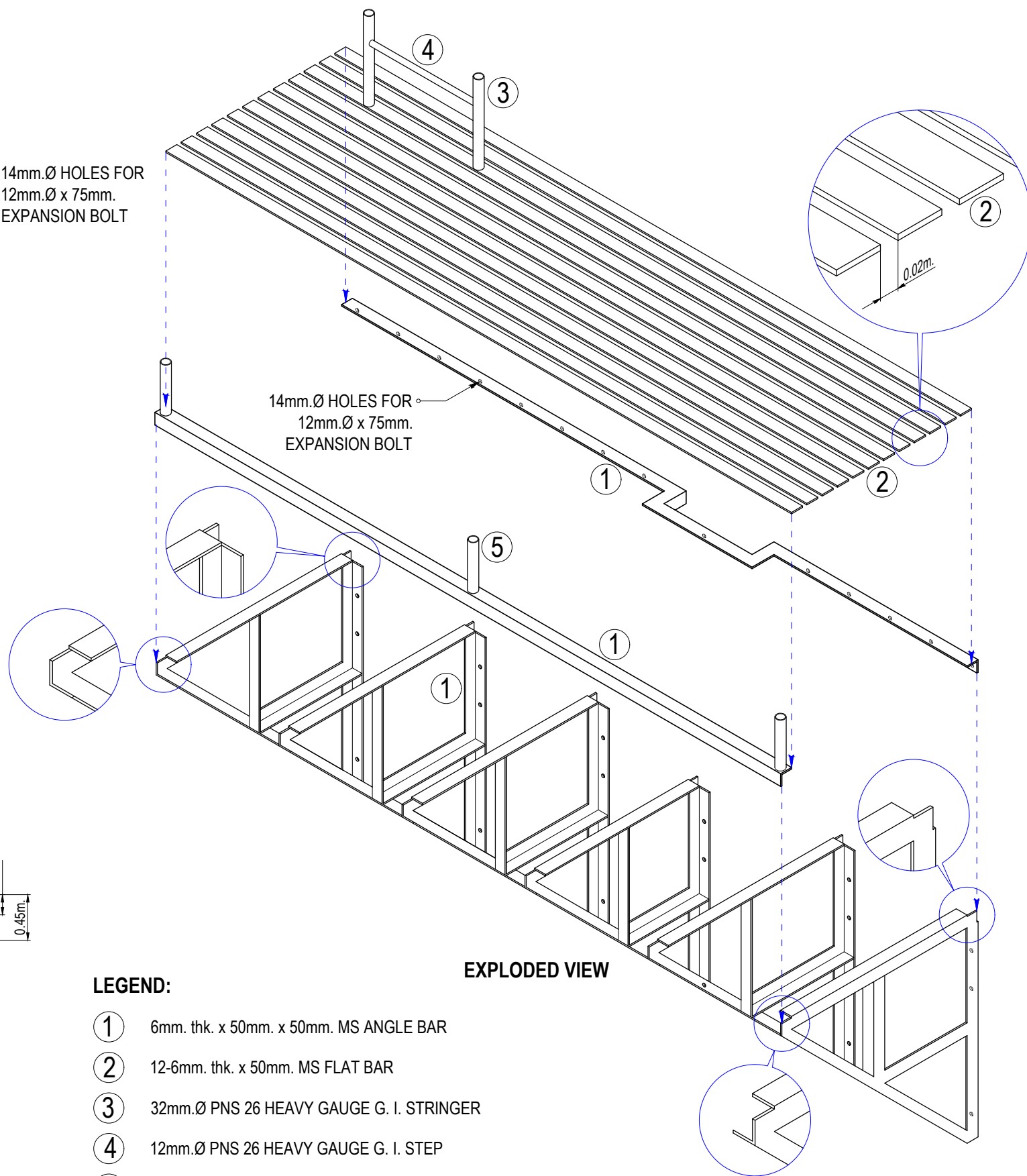
14mm.Ø HOLES FOR 12mm.Ø x 75mm. EXPANSION BOLT

14mm.Ø HOLES FOR 12mm.Ø x 75mm. EXPANSION BOLT

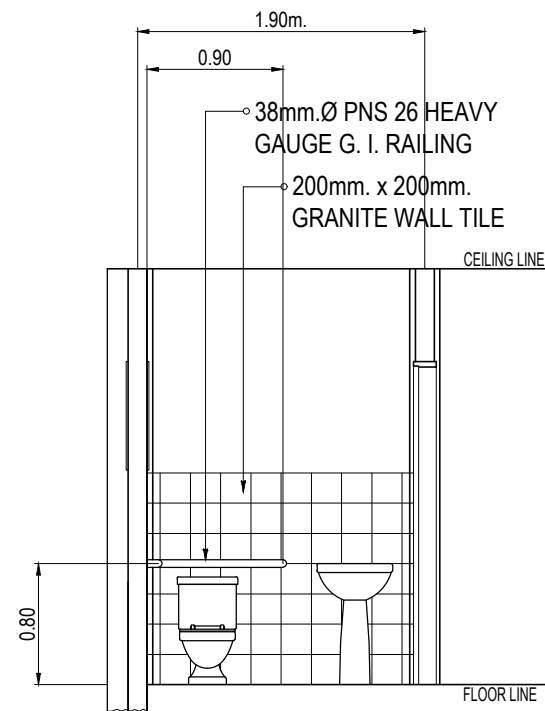
LEGEND:

- ① 6mm. thk. x 50mm. x 50mm. MS ANGLE BAR
- ② 12-6mm. thk. x 50mm. MS FLAT BAR
- ③ 32mm.Ø PNS 26 HEAVY GAUGE G. I. STRINGER
- ④ 12mm.Ø PNS 26 HEAVY GAUGE G. I. STEP
- ⑤ 38mm.Ø PNS 26 HEAVY GAUGE G. I. RAILING

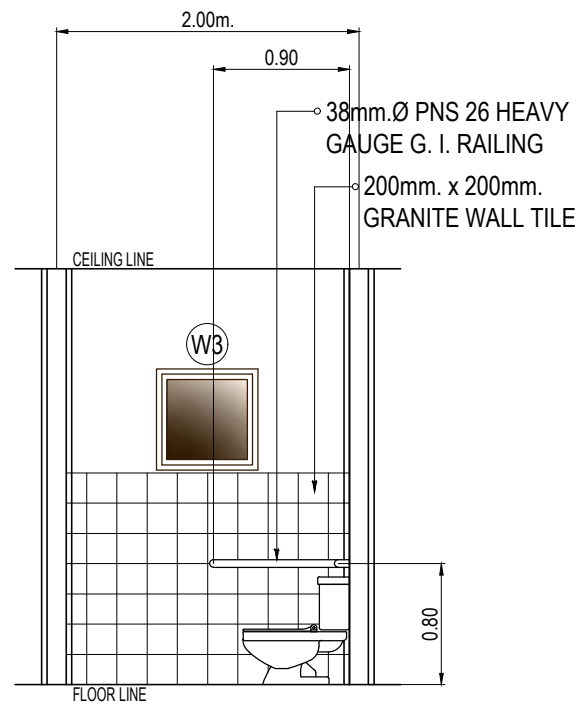
EXPLODED VIEW



	<table border="1"> <thead> <tr> <th>REV.</th> <th>DATE</th> <th>BY</th> <th>DESCRIPTION</th> </tr> </thead> <tbody> <tr> <td> </td> <td> </td> <td> </td> <td> </td> </tr> <tr> <td> </td> <td> </td> <td> </td> <td> </td> </tr> <tr> <td> </td> <td> </td> <td> </td> <td> </td> </tr> </tbody> </table>				REV.	DATE	BY	DESCRIPTION													PROJECT: PROPOSED LABORATORY RENOVATION, ZCWD WATER TREATMENT PLANT, ZAMBOANGA CITY	DRAWN BY: ARTHUR A. REYES PRINCIPAL DRAFTSMAN B - DESIGN DIVISION	PREPARED BY: BUNNY L. DAMPIOS SENIOR ENGINEER A - DESIGN DIVISION	CHECKED & REVIEWED BY: REX D. SALE, JR. SUPERVISING ENGINEER A - DESIGN DIVISION	REVIEWED AND SUBMITTED BY: EDITO M. BAUTISTA, JR. OIC - DESIGN DIVISION	RECOMMENDING PROJECT IMPLEMENTATION: MARLI ACOSTA - DE FIESTA DM A - ENGINEERING & CONSTRUCTION DEPARTMENT OIC - TECHNICAL SERVICES GROUP	APPROVED FOR PROJECT IMPLEMENTATION: LEONARDO REY D. VASQUEZ GENERAL MANAGER	SHEET NO. 37
	REV.	DATE	BY	DESCRIPTION																								
SHEET CONTENT: AS INDICATED																												



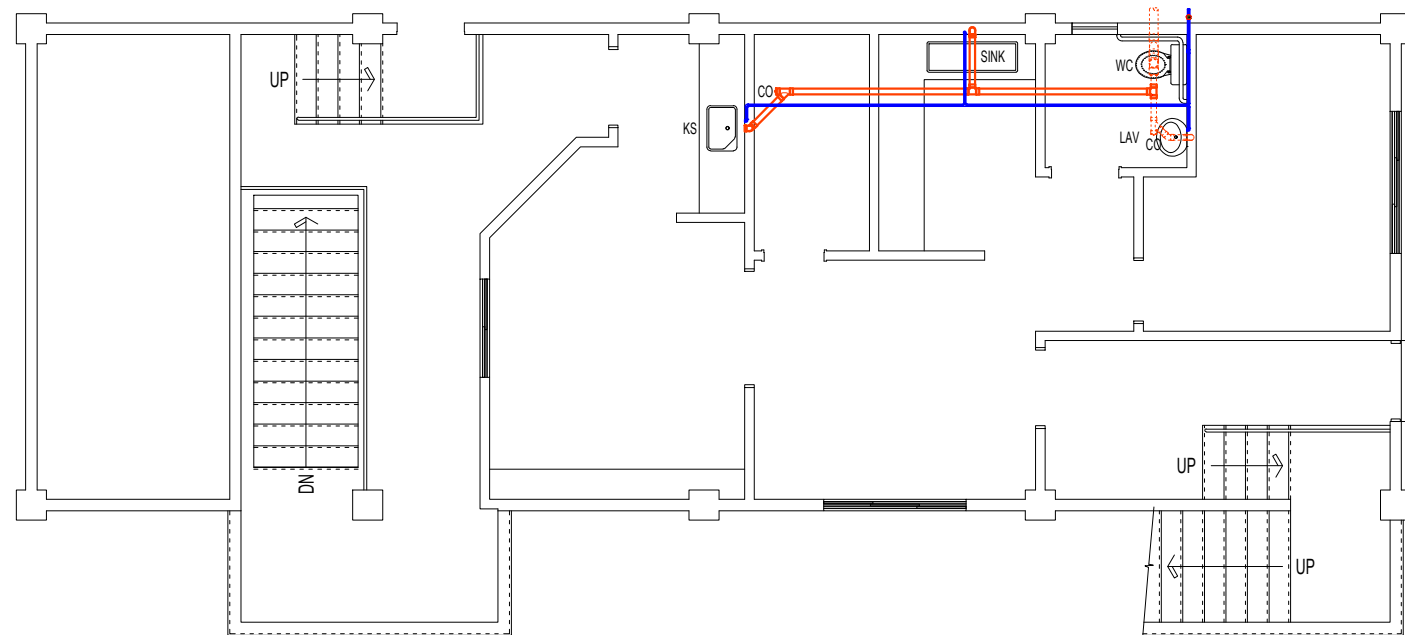
CROSS SECTION



LONGITUDINAL SECTION

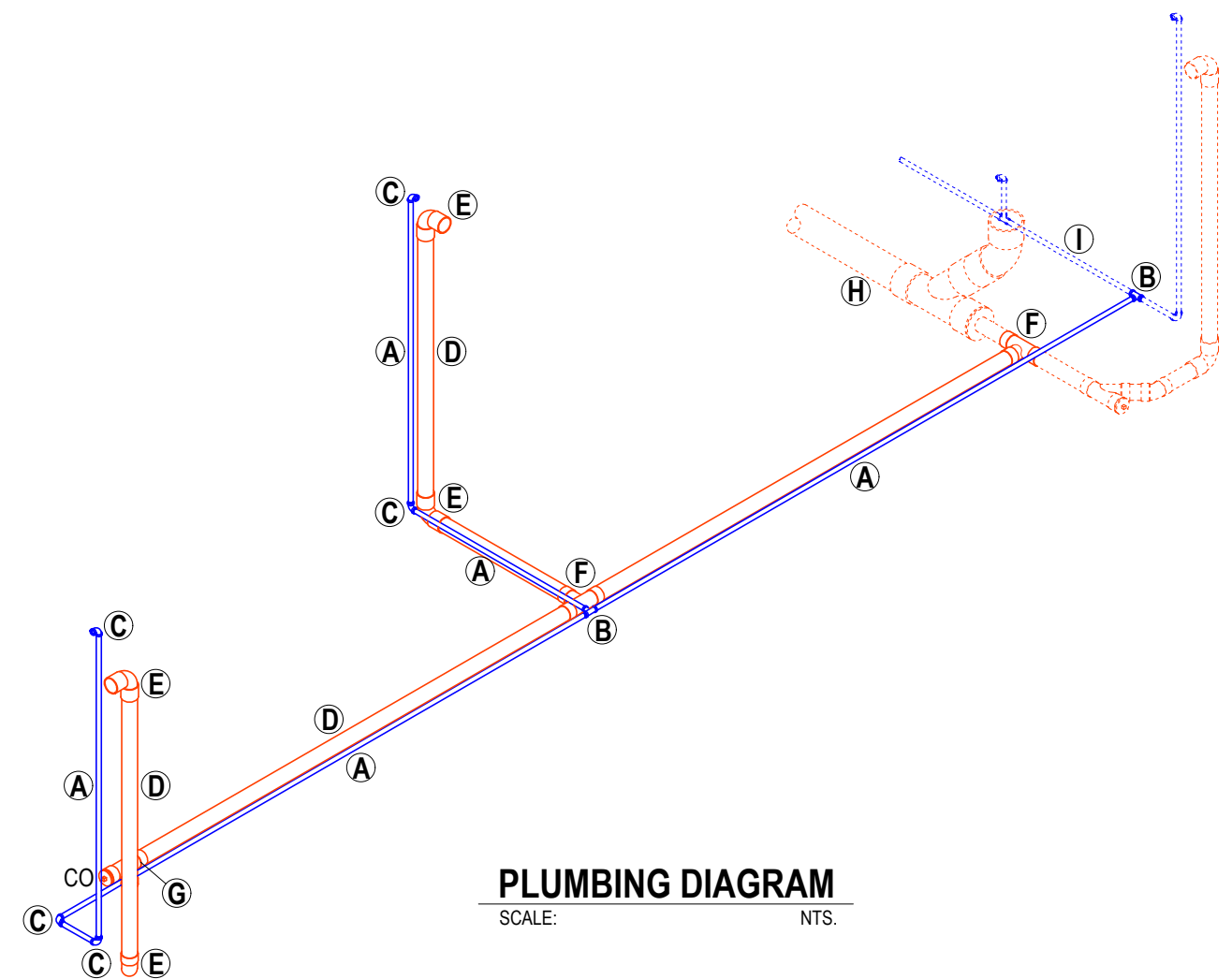
SECOND FLOOR REST ROOM

SCALE: 1:50M.



SECOND FLOOR PLUMBING LAYOUT PLAN

SCALE: 1:100M.



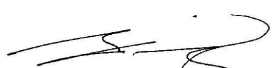

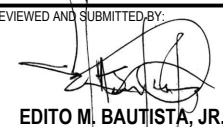




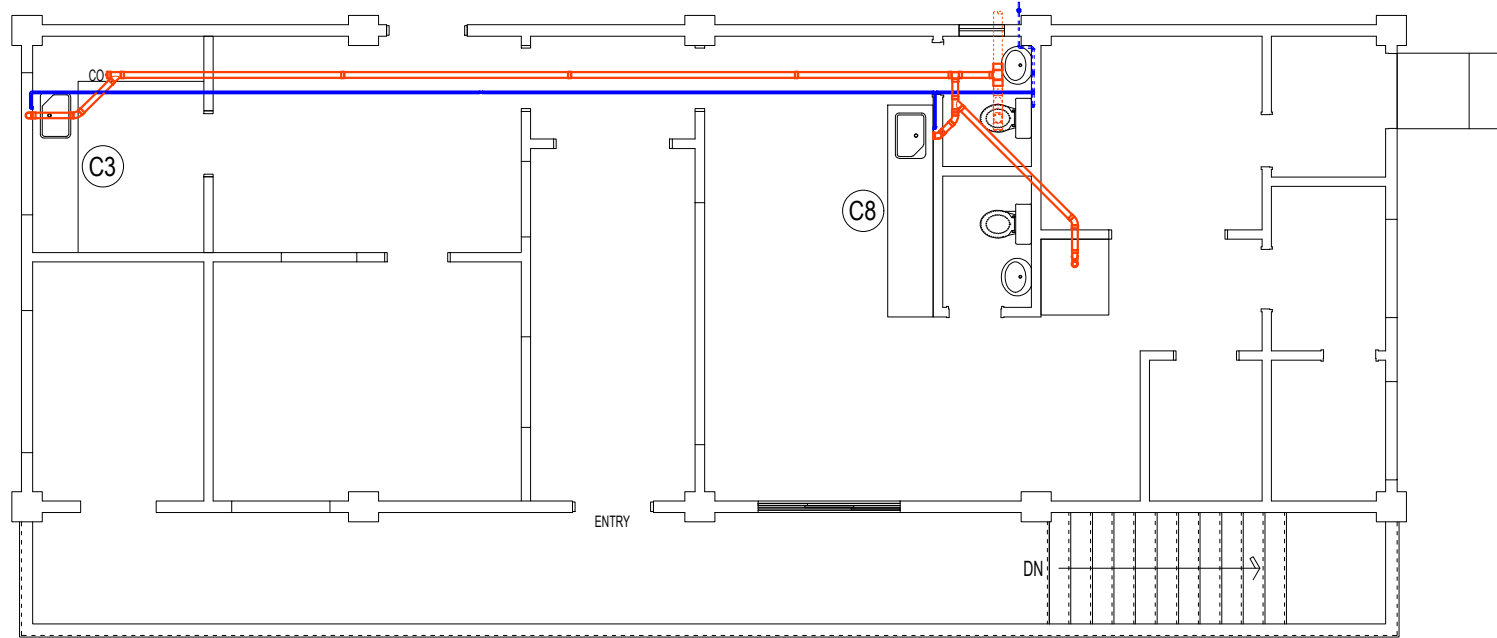
PLUMBING DIAGRAM

SCALE: NTS.

LEGEND:

- (A) 12mm.Ø PNS 26 HEAVY GAUGE G. I. PIPELINE
- (B) 12mm.Ø ANSI B16-3 CLASS 150 G. I. TEE
- (C) 12mm.Ø x 90° ANSI B16-3 CLASS 150 G. I. ELBOW
- (D) 75mm.Ø S1000 PVC PIPE
- (E) 75mm.Ø x 90° S1000 PVC ELBOW
- (F) 75mm.Ø x 75mm.Ø S1000 PVC TEE
- (G) 75mm.Ø x 75mm.Ø S1000 PVC WYE
- (H) EXISTING SANITARY PLUMBING SYSTEM
- (I) EXISTING WATER SYSTEM
- CO 75mm.Ø S1000 PVC CLEAN OUT

	<table border="1"> <thead> <tr> <th colspan="5">REVISIONS</th> </tr> <tr> <th>REV.</th> <th>DATE</th> <th>BY</th> <th colspan="2">DESCRIPTION</th> </tr> </thead> <tbody> <tr> <td> </td> <td> </td> <td> </td> <td colspan="2"> </td> </tr> <tr> <td> </td> <td> </td> <td> </td> <td colspan="2"> </td> </tr> </tbody> </table>				REVISIONS					REV.	DATE	BY	DESCRIPTION												PROJECT: PROPOSED LABORATORY RENOVATION, ZCWD WATER TREATMENT PLANT, ZAMBOANGA CITY		DRAWN BY:  ARTHUR A. REYES PRINCIPAL DRAFTSMAN B - DESIGN DIVISION	PREPARED BY:  BUNNY L. DAMPIOS SENIOR ENGINEER A - DESIGN DIVISION	CHECKED & REVIEWED BY:  REX D. SALE, JR. SUPERVISING ENGINEER A - DESIGN DIVISION	REVIEWED AND SUBMITTED BY:  EDITO M. BAUTISTA, JR. OIC - DESIGN DIVISION	RECOMMENDING PROJECT IMPLEMENTATION:  MARLI ACOSTA - DE FIESTA DM A - ENGINEERING & CONSTRUCTION DEPARTMENT OIC - TECHNICAL SERVICES GROUP	APPROVED FOR PROJECT IMPLEMENTATION:  LEONARDO REY D. VASQUEZ GENERAL MANAGER	SHEET NO. 39
	REVISIONS																																
REV.	DATE	BY	DESCRIPTION																														
SHEET CONTENT: AS INDICATED																																	

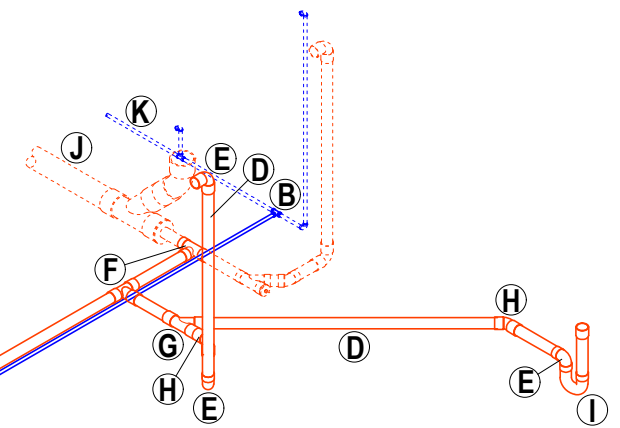


THIRD FLOOR PLUMBING LAYOUT PLAN

SCALE: 1:100M.

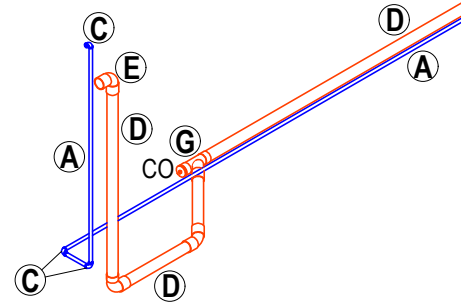
LEGEND:

- (A) 12mm.Ø PNS 26 HEAVY GAUGE G. I. PIPELINE
- (B) 12mm.Ø ANSI B16-3 CLASS 150 G. I. TEE
- (C) 12mm.Ø x 90° ANSI B16-3 CLASS 150 G. I. ELBOW
- (D) 75mm.Ø S1000 PVC PIPE
- (E) 75mm.Ø x 90° S1000 PVC ELBOW
- (F) 75mm.Ø x 75mm.Ø S1000 PVC TEE
- (G) 75mm.Ø x 75mm.Ø S1000 PVC WYE
- (H) 75mm.Ø x 45° S1000 PVC BEND
- (I) 75mm.Ø S1000 PVC P TRAP
- (J) EXISTING SANITARY PLUMBING SYSTEM
- (K) EXISTING WATER SYSTEM
- CO 75mm.Ø S1000 PVC CLEAN OUT

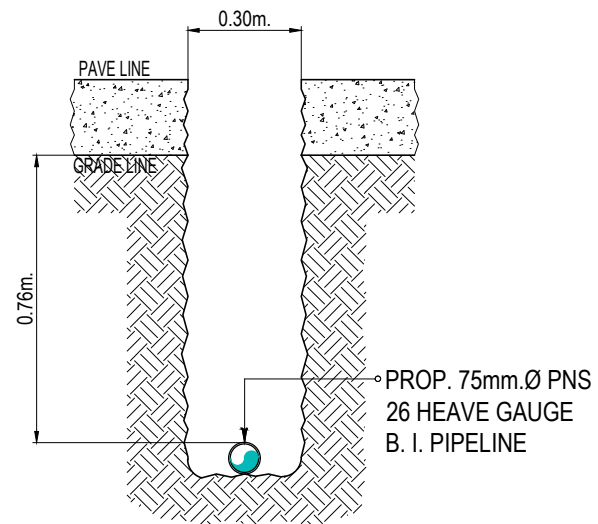


PLUMBING DIAGRAM

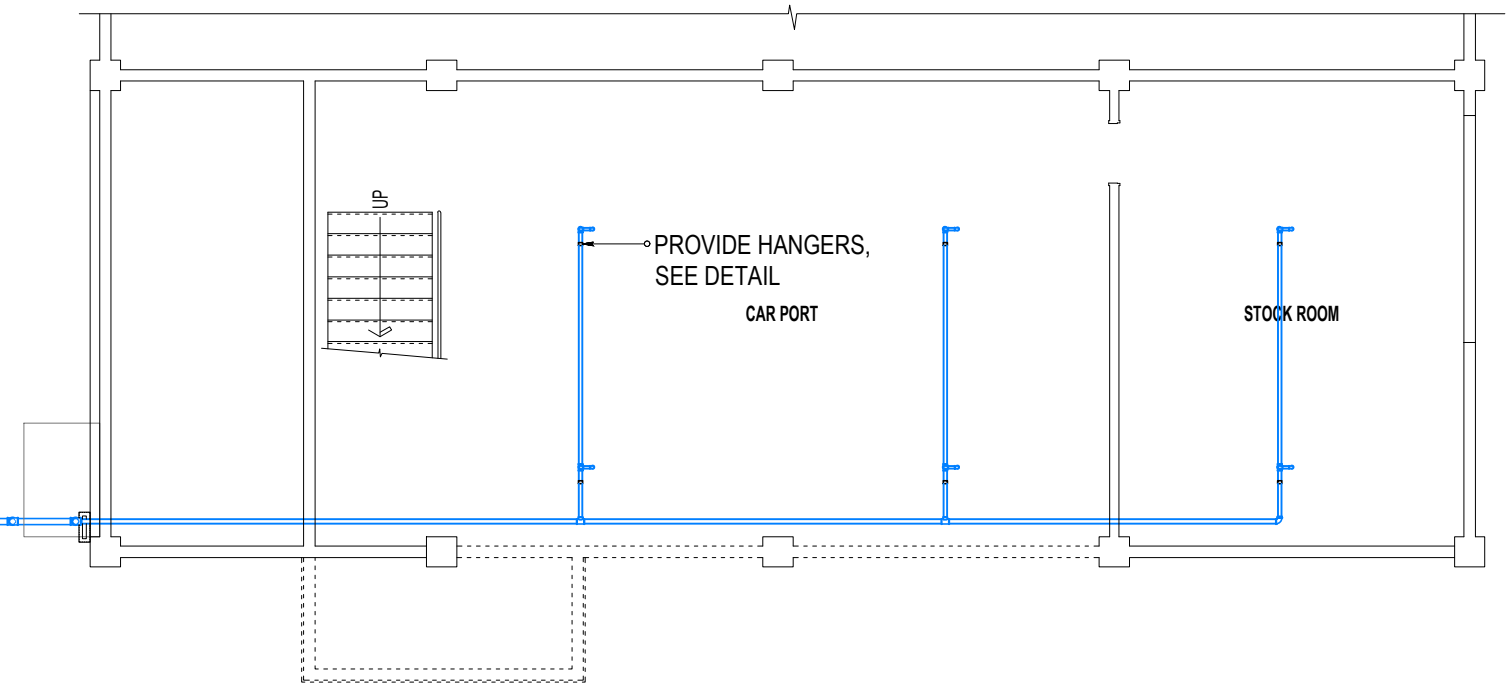
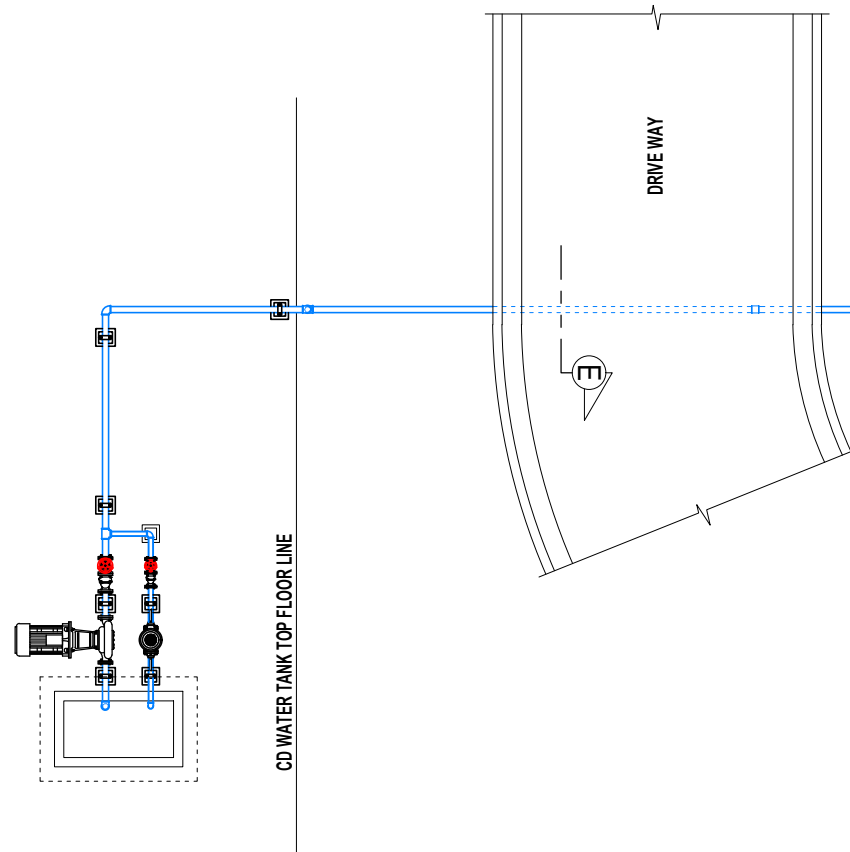
SCALE: NTS.



	REVISIONS			PROJECT: PROPOSED LABORATORY RENOVATION, ZCWD WATER TREATMENT PLANT, ZAMBOANGA CITY	DRAWN BY: ARTHUR A. REYES <small>PRINCIPAL DRAFTSMAN B - DESIGN DIVISION</small>	PREPARED BY: BUNNY L. DAMPIOS <small>SENIOR ENGINEER A - DESIGN DIVISION</small>	CHECKED & REVIEWED BY: REX D. SALE, JR. <small>SUPERVISING ENGINEER A - DESIGN DIVISION</small>	REVIEWED AND SUBMITTED BY: EDITO M. BAUTISTA, JR. <small>OIC - DESIGN DIVISION</small>	RECOMMENDING PROJECT IMPLEMENTATION: MARLI ACOSTA - DE FIESTA <small>DM A - ENGINEERING & CONSTRUCTION DEPARTMENT OIC - TECHNICAL SERVICES GROUP</small>	APPROVED FOR PROJECT IMPLEMENTATION: LEONARDO REY D. VASQUEZ <small>GENERAL MANAGER</small>	SHEET NO. 40
	REV.	DATE	BY								




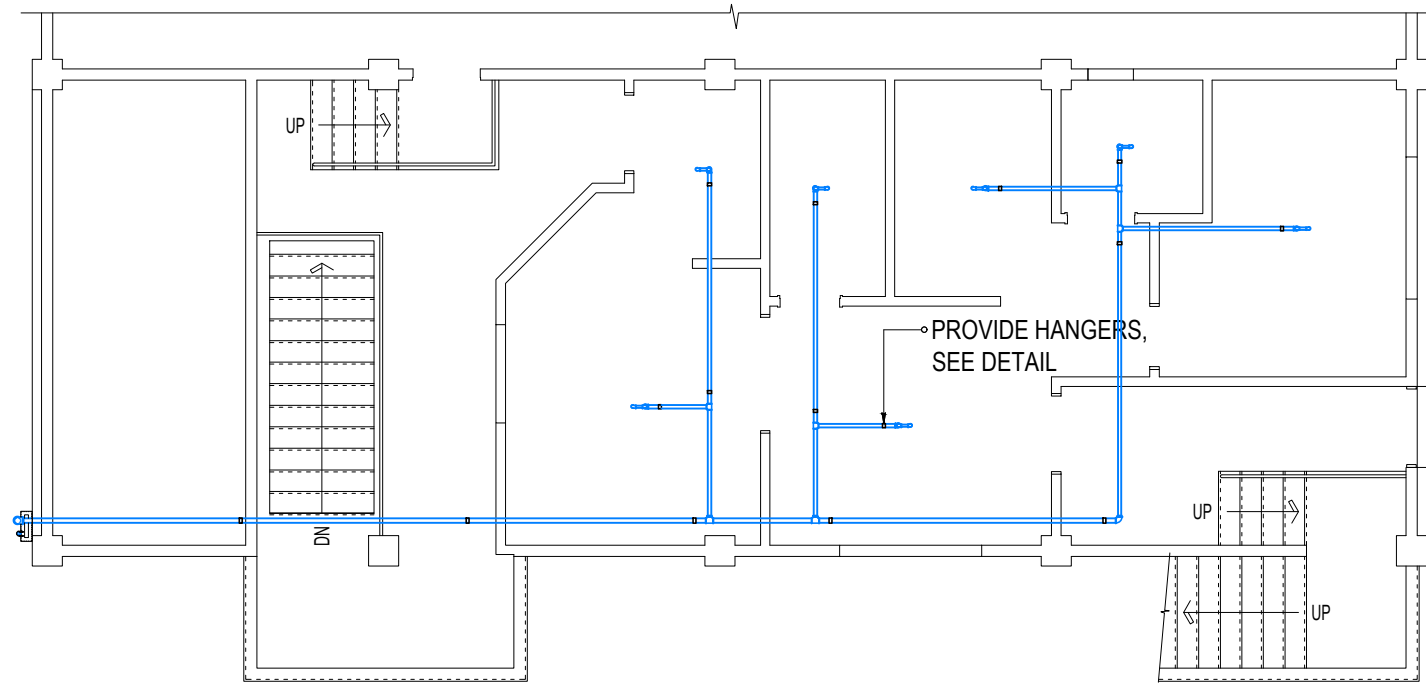
**DETAIL OF PIPELINE
INSTALLATION THRU E**



GROUND FLOOR FIRE SPRINKLER LAYOUT PLAN

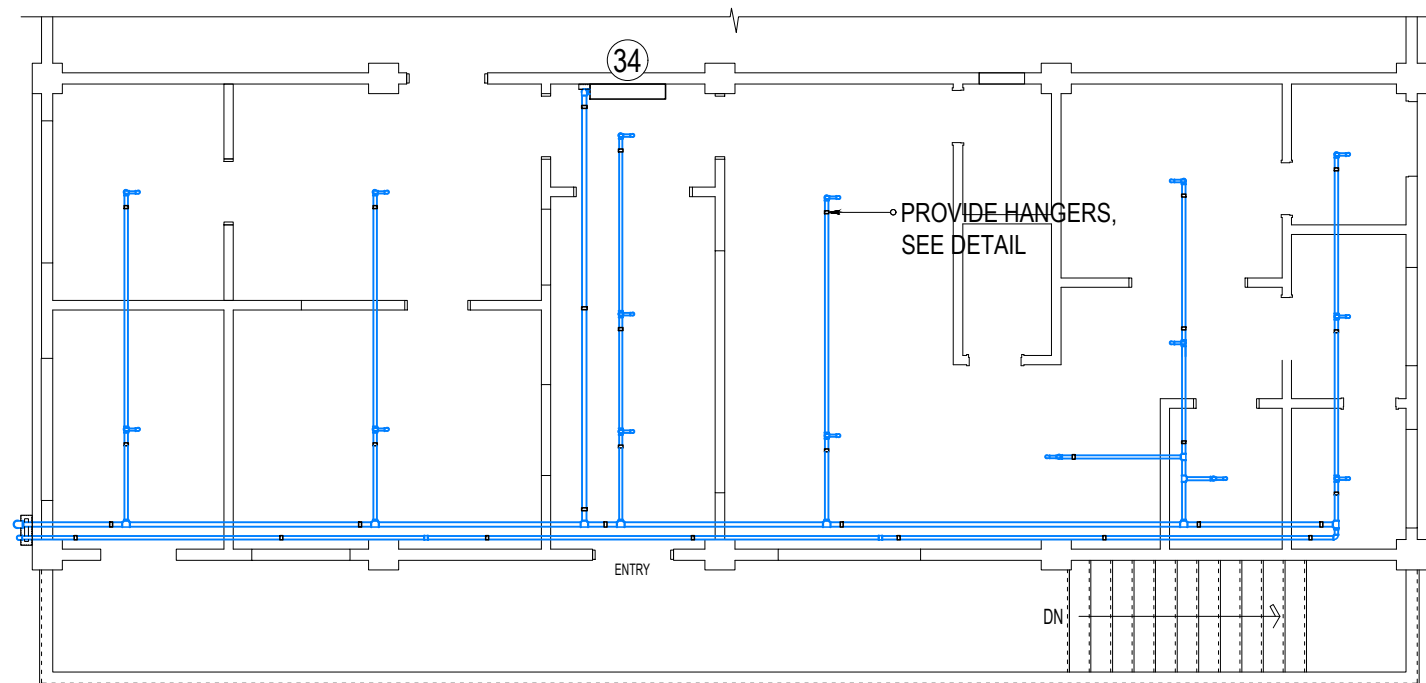
SCALE: 1:100M.

	<table border="1"> <thead> <tr> <th colspan="5">REVISIONS</th> </tr> <tr> <th>REV.</th> <th>DATE</th> <th>BY</th> <th colspan="2">DESCRIPTION</th> </tr> </thead> <tbody> <tr> <td> </td> <td> </td> <td> </td> <td colspan="2"> </td> </tr> <tr> <td> </td> <td> </td> <td> </td> <td colspan="2"> </td> </tr> </tbody> </table>				REVISIONS					REV.	DATE	BY	DESCRIPTION												PROJECT: PROPOSED LABORATORY RENOVATION, ZCWD WATER TREATMENT PLANT, ZAMBOANGA CITY	DRAWN BY:  ARTHUR A. REYES PRINCIPAL DRAFTSMAN B - DESIGN DIVISION	PREPARED BY:  VERLIN ANN LACASTESANTOS - LORIA SENIOR ENGINEER A - DESIGN DIVISION	CHECKED & REVIEWED BY:  REX D. SALE, JR. SUPERVISING ENGINEER A - DESIGN DIVISION	REVIEWED AND SUBMITTED BY:  EDITO M. BAUTISTA, JR. OIC - DESIGN DIVISION	RECOMMENDING PROJECT IMPLEMENTATION:  MARLI ACOSTA - DE FIESTA DM A - ENGINEERING & CONSTRUCTION DEPARTMENT OIC - TECHNICAL SERVICES GROUP	APPROVED FOR PROJECT IMPLEMENTATION:  LEONARDO REY D. VASQUEZ GENERAL MANAGER	SHEET NO. 41
	REVISIONS																															
REV.	DATE	BY	DESCRIPTION																													
SHEET CONTENT: AS INDICATED																																









SECOND FLOOR FIRE SPRINKLER LAYOUT PLAN

SCALE: 1:100M.



THIRD FLOOR FIRE SPRINKLER LAYOUT PLAN

SCALE: 1:100M.

	<table border="1"> <thead> <tr> <th colspan="4">REVISIONS</th> </tr> <tr> <th>REV.</th> <th>DATE</th> <th>BY</th> <th>DESCRIPTION</th> </tr> </thead> <tbody> <tr> <td> </td> <td> </td> <td> </td> <td> </td> </tr> <tr> <td> </td> <td> </td> <td> </td> <td> </td> </tr> </tbody> </table>				REVISIONS				REV.	DATE	BY	DESCRIPTION									PROJECT: PROPOSED LABORATORY RENOVATION, ZCWD WATER TREATMENT PLANT, ZAMBOANGA CITY	DRAWN BY:  ARTHUR A. REYES PRINCIPAL DRAFTSMAN B - DESIGN DIVISION	PREPARED BY:  VERLIN ANN LACASTESANTOS - LORIA SENIOR ENGINEER A - DESIGN DIVISION	CHECKED & REVIEWED BY:  REX D. SALE, JR. SUPERVISING ENGINEER A - DESIGN DIVISION	REVIEWED AND SUBMITTED BY:  EDITO M. BAUTISTA, JR. OIC - DESIGN DIVISION	RECOMMENDING PROJECT IMPLEMENTATION:  MARLI ACOSTA - DE FIESTA DM A - ENGINEERING & CONSTRUCTION DEPARTMENT OIC - TECHNICAL SERVICES GROUP	APPROVED FOR PROJECT IMPLEMENTATION:  LEONARDO REY D. VASQUEZ GENERAL MANAGER	SHEET NO. 42
	REVISIONS																											
REV.	DATE	BY	DESCRIPTION																									
SHEET CONTENT: AS INDICATED																												