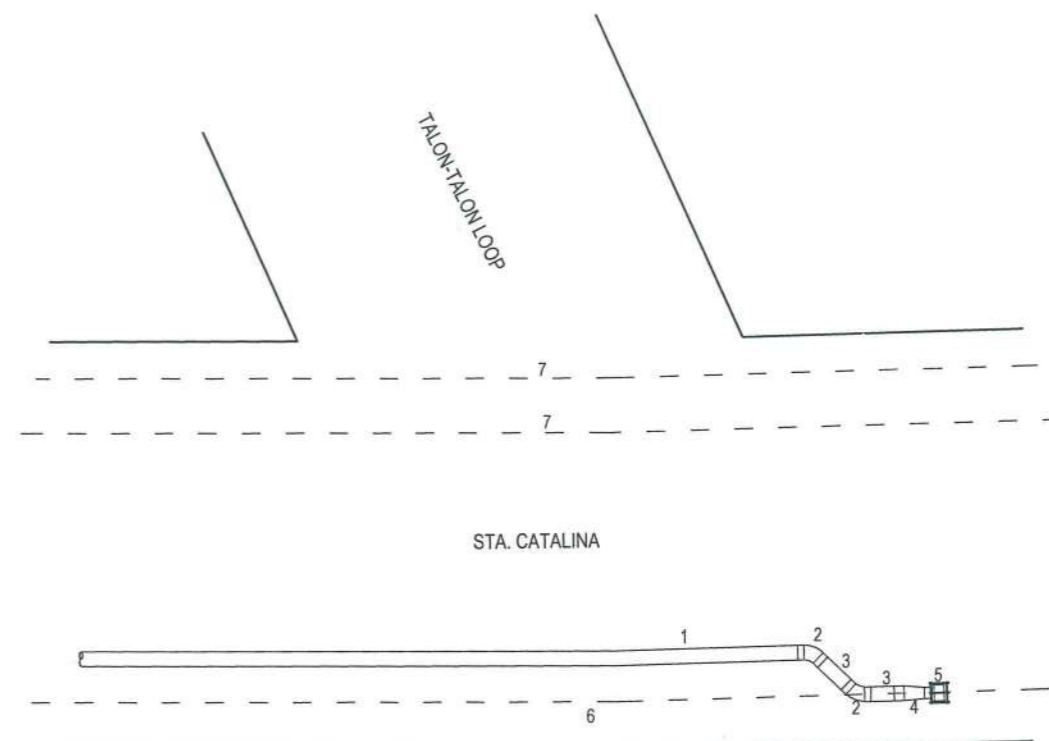


LEGEND:

- 1 - PROP. 2,312.24 LN. M. 200mmØ D.I. PIPELINE
- 2 - PROP. 200mmØ x 45°D.I. BEND, PUSH-ON DOUBLE SOCKET
- 3 - PROP. 200mmØ D.I. SHORT PIPE
- 4 - PROP. 200mmØ C.I. BODY GATE VALVE, MM
- 5 - PROP. 200mmØ x 150mmØ D.I. REDUCER, SOCKET & SPIGOT
- 6 - PROP. 150mmØ C.I. SLEEVE TYPE FLEXIBLE COUPLING, (D.I.-PVC)
- 7 - EXISTING 150mmØ PVC PIPELINE, CLASS 150 (FOR DECOMMISSION)
- 8 - EXISTING 100mmØ C.I. PIPELINE
- 9 - EXISTING 200mmØ C.I. PIPELINE
- 10 - EXISTING 150mmØ C.I. PIPELINE



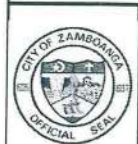
D2

LEGEND:

- 1 - PROP. 2,312.24 LN. M. 200mmØ D.I. PIPELINE
- 2 - PROP. 200mmØ x 45°D.I. BEND, PUSH-ON DOUBLE SOCKET
- 3 - PROP. 200mmØ D.I. SHORT PIPE
- 4 - PROP. 200mmØ x 150mmØ D.I. REDUCER, SOCKET & SPIGOT
- 5 - PROP. 150mmØ C.I. SLEEVE TYPE FLEXIBLE COUPLING, (D.I.-PVC)
- 6 - EXISTING 150mmØ PVC PIPELINE, CLASS 150 (FOR DECOMMISSION)
- 7 - EXISTING 100mmØ C.I. PIPELINE

INTER-CONNECTION DETAIL OF STA. CATALINA

SCALE: _____ NTS



PREPARED BY:

BUNNY L. DAMPOS
SENIOR ENGINEER A/C E
DESIGN DIVISION
VERLIN ANN B. LACASTESANTOS-LORIA
SENIOR ENGINEER A/E
DESIGN DIVISION

LEONARDO S. ALCALA, CE
REGISTERED CIVIL
ENGINEER
REX D. SALE JR., CE
REGISTERED ENGINEER A
DESIGN DIVISION ZONE

MICHAEL A. FRANCISCO
REGISTERED CIVIL
ENGINEER II, C.E.O.
D/C, CHIEF PLANNING, DESIGNING AND PROGRAMMING DIVISION, C.E.O.
EDITO M. BAUTISTA JR., CE
REGISTERED ENGINEER A
DESIGN DIVISION ZONE

RECOMMENDING APPROVAL:

MICHAEL C. PALANCA, CE
REGISTERED CIVIL
ENGINEER II, C.E.O.
D/CASSO, CHIEF CITY ENGINEER, C.E.O.
MARLI P. ACOSTA-DE FIESTA
DWA - ENGINEERING & CONSTRUCTION DEPARTMENT
D/C: TECHNICAL SERVICES GROUP, ZONE

APPROVED FOR PROJECT IMPLEMENTATION:

CHRISTOPHER O. NAVARRO
REGISTERED CIVIL
ENGINEER II, C.E.O.
D/C, CHIEF CITY ENGINEER, C.E.O.
REYNALDO R. CABILIN
REGISTERED CIVIL
ENGINEER II, C.E.O.
ACTING GENERAL MANAGER, ZONE

PROJECT:

MAINLINE REPLACEMENT PROGRAM
(LGU FUNDED) PHASE 2

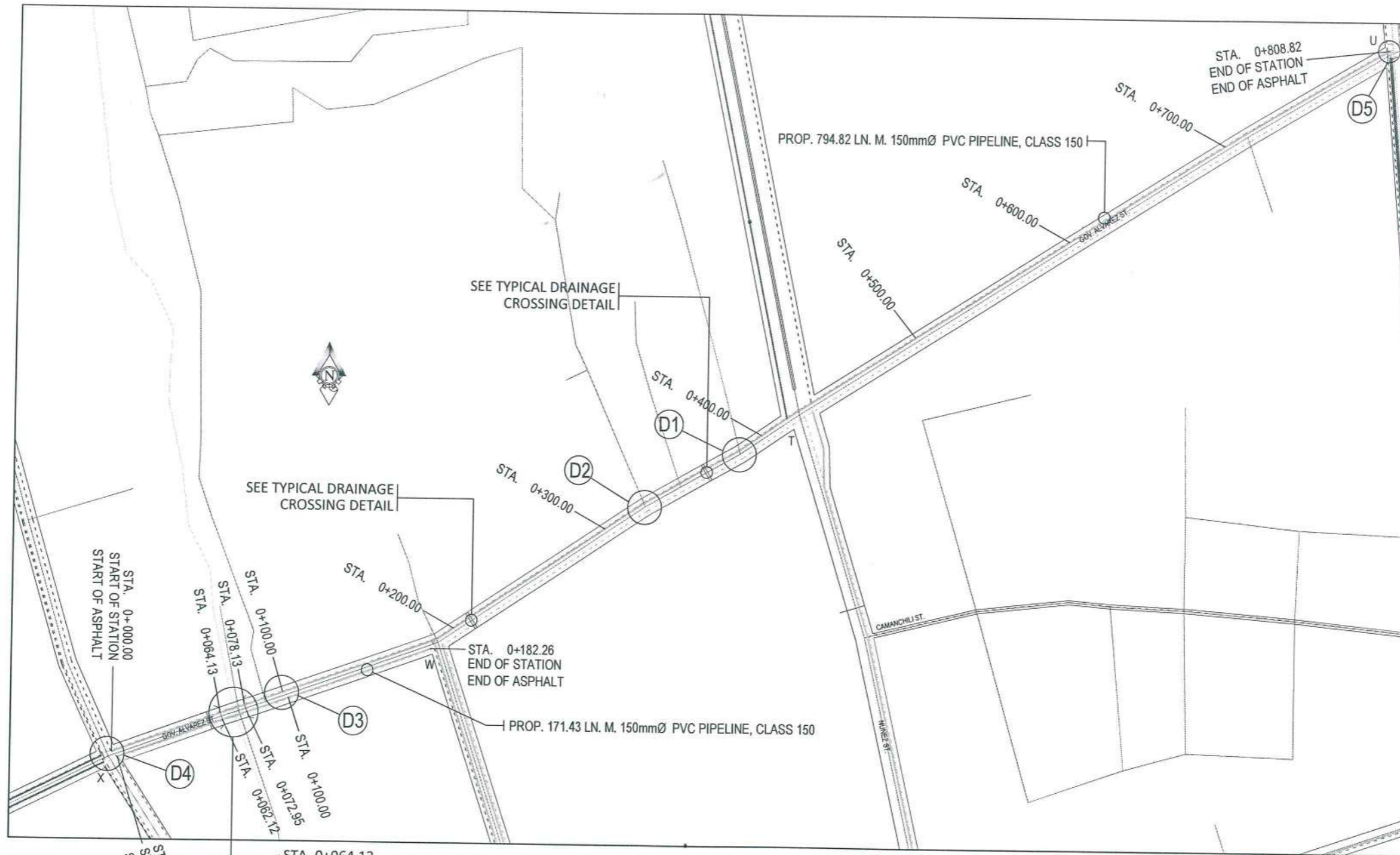
SHEET CONTENT:

AS INDICATED

SHEET NO.:

26





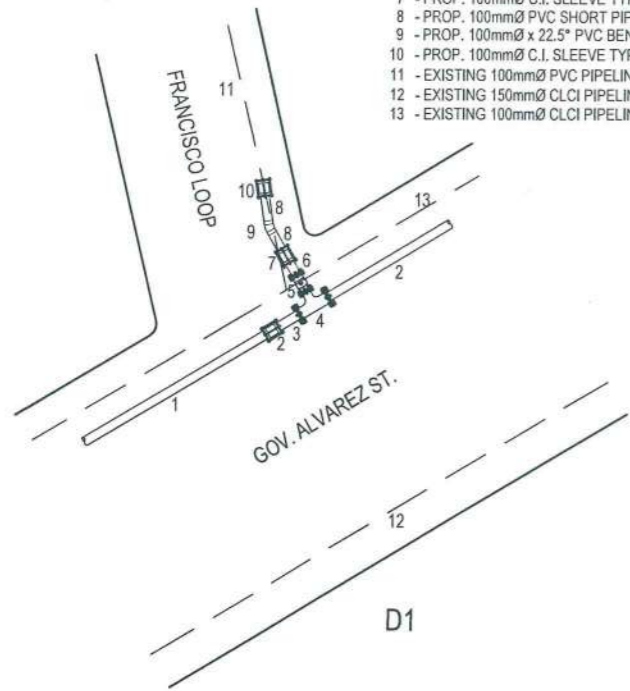
(GOV. ALVAREZ ST.)
SITE DEVELOPMENT PLAN
 SCALE: 1:27m

GOV. ALVAREZ ST.

	PREPARED BY:  BUNNY L. DAMIGOS SENIOR ENGINEER A/CE DESIGN DIVISION	 LEONARDO A. ALCALA, CE ENGINEER II, CEO	 MICHAEL A. FRANCISCO ENGINEER II, CEO OIC, CHIEF PLANNING, DESIGNING AND PROGRAMMING DIVISION, ZOWD	RECOMMENDING APPROVAL:  MICHAEL C. PALANCA, CE ENGINEER II OIC, ASSISTANT CITY ENGINEER, CEO	APPROVED FOR PROJECT IMPLEMENTATION:  CHRISTOPHER C. NAVARRO CITY ENGINEER	PROJECT: MAINLINE REPLACEMENT PROGRAM (LGU FUNDED) PHASE 2	SHEET NO.: 27	
	 VERLIN ANN B. LACASTESANTOS-LORIA SENIOR ENGINEER P/CE DESIGN DIVISION	 REX D. SALE JR., CE SENIOR ENGINEER A DESIGN DIVISION, ZOWD	 EDITO M. BAUTISTA JR., CE OFFICIAL PACKAGE DESIGN DIVISION, ZOWD	 MARI P. ACOSTA-DE FIESTA DATA ENGINEERING & CONSTRUCTION DEPARTMENT OIC, TECHNICAL SERVICES GROUP, ZOWD	 REYNALDO R. CABILIN ACTING GENERAL MANAGER, ZOWD	SHEET CONTENT: AS INDICATED		

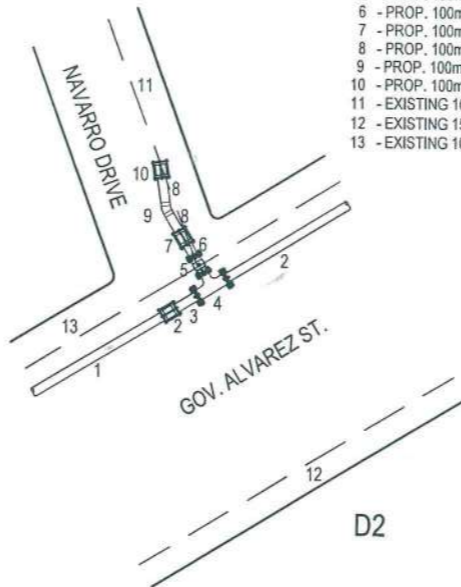
LEGEND:

- 1 - PROP. 794.82 LN. M. 150mmØ PVC PIPELINE, CLASS 150
- 2 - PROP. 150mmØ C.I. SLEEVE TYPE FLEXIBLE COUPLING, (PVC)
- 3 - PROP. 150mmØ PVC SHORT PIPE, CLASS 150
- 4 - PROP. 150mmØ x 100mmØ C.I. TEE, M/F
- 5 - PROP. 100mmØ C.I. BODY GATE VALVE, F/F
- 6 - PROP. 100mmØ C.I. ADAPTOR, F/P
- 7 - PROP. 100mmØ C.I. SLEEVE TYPE FLEXIBLE COUPLING, (C.I.-PVC)
- 8 - PROP. 100mmØ PVC SHORT PIPE, CLASS 150
- 9 - PROP. 100mmØ x 22.5° PVC BEND, CLASS 150
- 10 - PROP. 100mmØ C.I. SLEEVE TYPE FLEXIBLE COUPLING, (PVC)
- 11 - EXISTING 100mmØ PVC PIPELINE
- 12 - EXISTING 150mmØ CLCI PIPELINE (FOR DECOMMISSION)
- 13 - EXISTING 100mmØ CLCI PIPELINE (FOR DECOMMISSION)



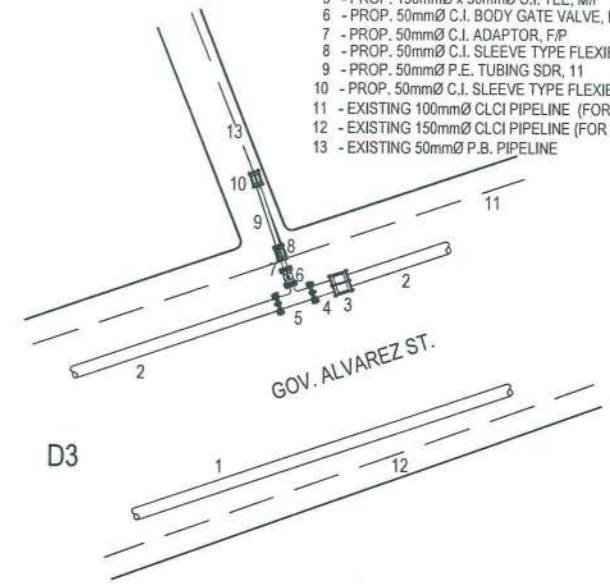
LEGEND:

- 1 - PROP. 794.82 LN. M. 150mmØ PVC PIPELINE, CLASS 150
- 2 - PROP. 150mmØ C.I. SLEEVE TYPE FLEXIBLE COUPLING, (PVC)
- 3 - PROP. 150mmØ PVC SHORT PIPE, CLASS 150
- 4 - PROP. 150mmØ x 100mmØ C.I. TEE, M/F
- 5 - PROP. 100mmØ C.I. BODY GATE VALVE, F/F
- 6 - PROP. 100mmØ C.I. ADAPTOR, F/P
- 7 - PROP. 100mmØ C.I. SLEEVE TYPE FLEXIBLE COUPLING, (C.I.-PVC)
- 8 - PROP. 100mmØ PVC SHORT PIPE, CLASS 150
- 9 - PROP. 100mmØ x 22.5° PVC BEND, CLASS 150
- 10 - PROP. 100mmØ C.I. SLEEVE TYPE FLEXIBLE COUPLING, (PVC)
- 11 - EXISTING 100mmØ PVC PIPELINE
- 12 - EXISTING 150mmØ CLCI PIPELINE (FOR DECOMMISSION)
- 13 - EXISTING 100mmØ CLCI PIPELINE (FOR DECOMMISSION)



LEGEND:

- 1 - PROP. 171.43 LN. M. 150mmØ PVC PIPELINE, CLASS 150
- 2 - PROP. 794.82 LN. M. 150mmØ PVC PIPELINE, CLASS 150
- 3 - PROP. 150mmØ C.I. SLEEVE TYPE FLEXIBLE COUPLING, (PVC)
- 4 - PROP. 150mmØ PVC SHORT PIPE, CLASS 150
- 5 - PROP. 150mmØ x 50mmØ C.I. TEE, M/F
- 6 - PROP. 50mmØ C.I. BODY GATE VALVE, F/F
- 7 - PROP. 50mmØ C.I. ADAPTOR, F/P
- 8 - PROP. 50mmØ C.I. SLEEVE TYPE FLEXIBLE COUPLING, (C.I.-P.E.)
- 9 - PROP. 50mmØ P.E. TUBING SDR, 11
- 10 - PROP. 50mmØ C.I. SLEEVE TYPE FLEXIBLE COUPLING, (P.E.-PB)
- 11 - EXISTING 100mmØ CLCI PIPELINE (FOR DECOMMISSION)
- 12 - EXISTING 150mmØ CLCI PIPELINE (FOR DECOMMISSION)
- 13 - EXISTING 50mmØ P.B. PIPELINE



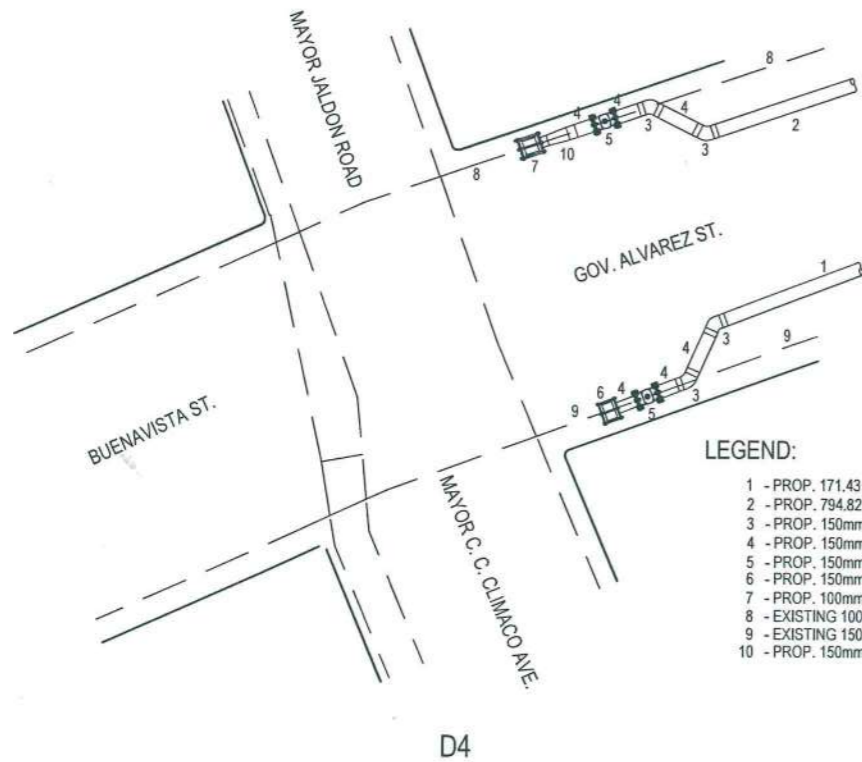
LEGEND:

- 1 - PROP. 794.82 LN. M. 150mmØ PVC PIPELINE, CLASS 150
- 2 - EXIST. 150mmØ CLCI PIPELINE
- 3 - EXIST. 400mmØ CLCS PIPELINE
- 4 - EXIST. 150mmØ CLCI PIPELINE (FOR DECOMMISSION)
- 5 - PROP. 150mmØ C.I. SLEEVE TYPE FLEXIBLE COUPLING, (C.I.-PVC)
- 6 - PROP. 150mmØ CLASS 150, PVC SHORT PIPE
- 7 - PROP. 150mmØ C.I. BODY GATE VALVE, M/M
- 8 - PROP. 150mmØ X 22.5° CLASS 150, PVC BEND
- 9 - PROP. 150mmØ X 45° CLASS 150, PVC BEND



LEGEND:

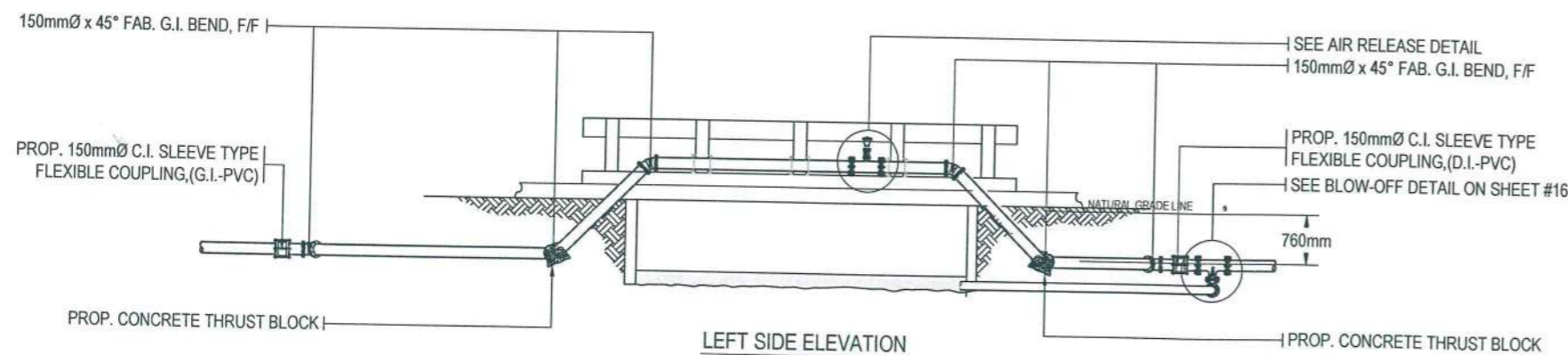
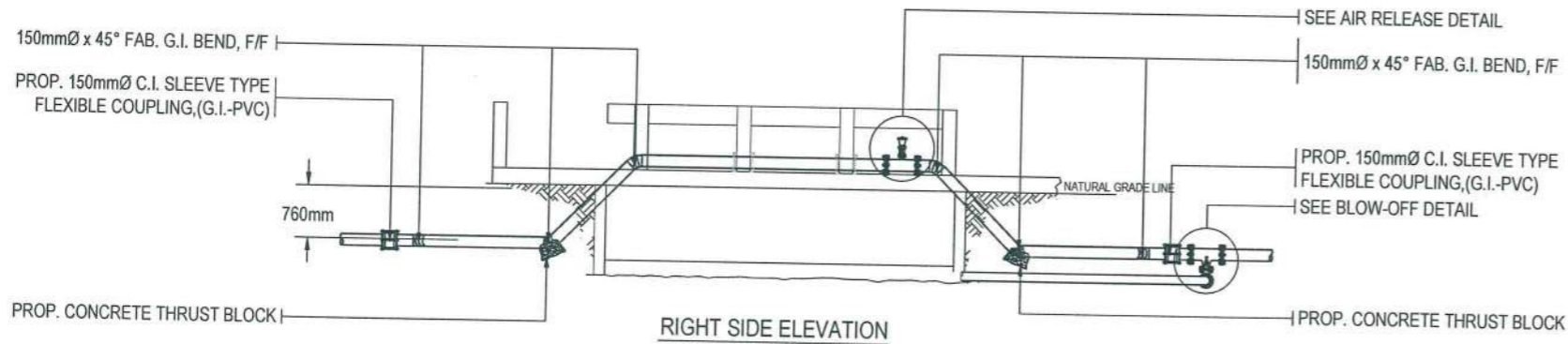
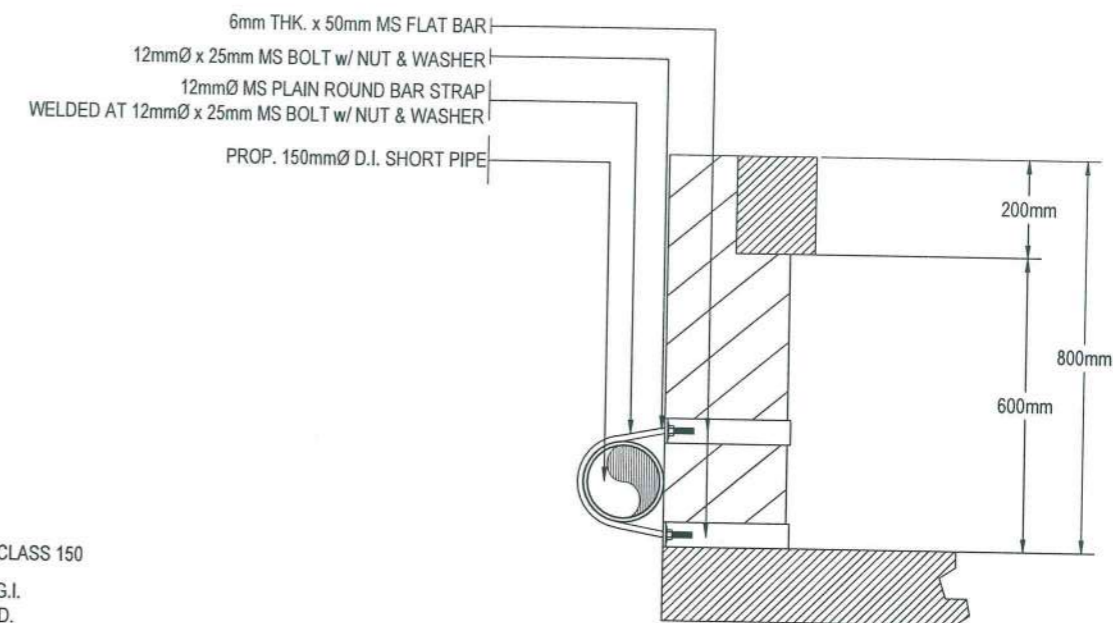
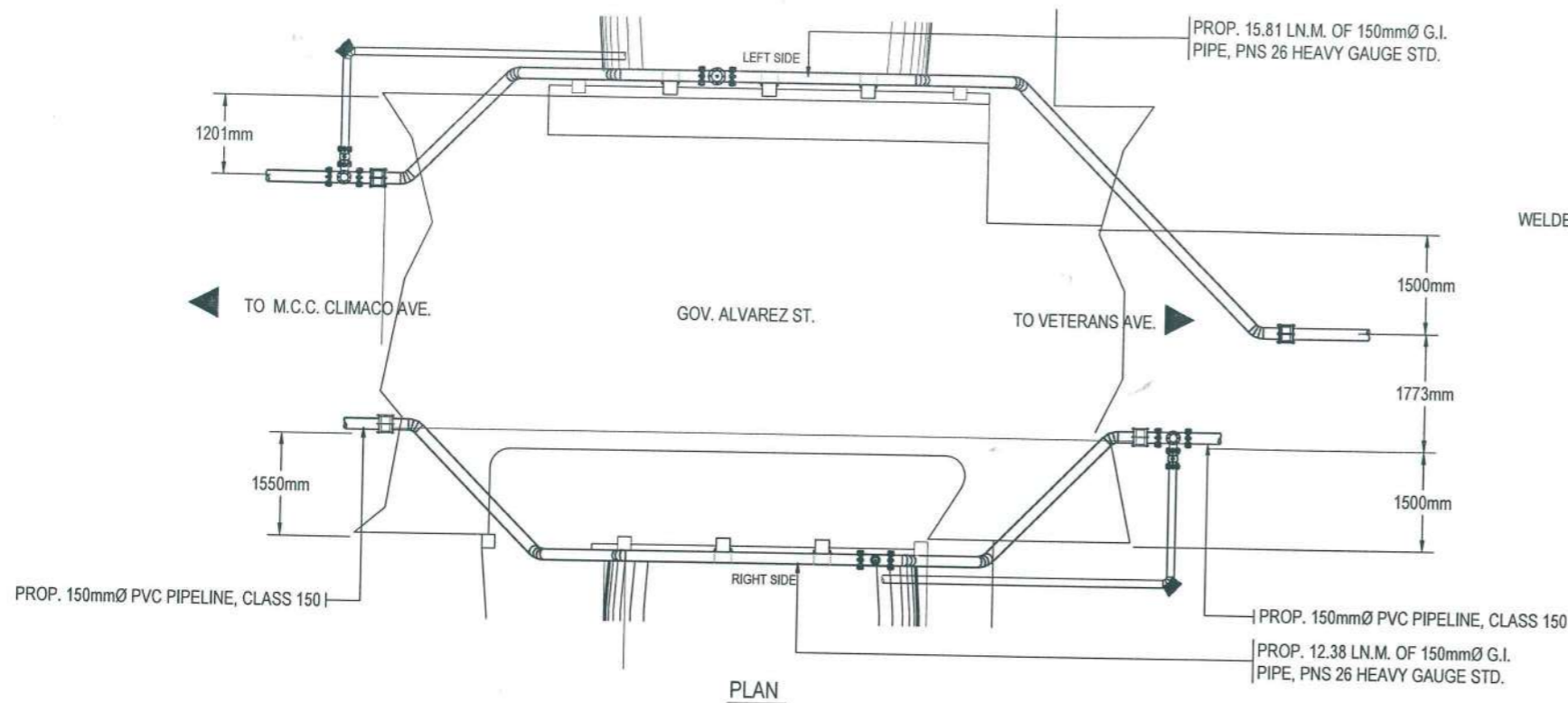
- 1 - PROP. 171.43 LN. M. 150mmØ PVC PIPELINE, CLASS 150
- 2 - PROP. 794.82 LN. M. 150mmØ PVC PIPELINE, CLASS 150
- 3 - PROP. 150mmØ x 45° PVC BEND, CLASS 150
- 4 - PROP. 150mmØ PVC SHORT PIPE, CLASS 150
- 5 - PROP. 150mmØ C.I. BODY GATE VALVE, M/M
- 6 - PROP. 150mmØ C.I. SLEEVE TYPE FLEXIBLE COUPLING, (C.I.-PVC)
- 7 - PROP. 100mmØ C.I. SLEEVE TYPE FLEXIBLE COUPLING, (C.I.-PVC)
- 8 - EXISTING 100mmØ CLCI PIPELINE (FOR DECOMMISSION)
- 9 - EXISTING 150mmØ CLCI PIPELINE (FOR DECOMMISSION)
- 10 - PROP. 150mmØ x 100mmØ PVC REDUCER, CLASS 150



INTER-CONNECTION DETAIL OF GOV. ALVAREZ ST.

SCALE: NTS

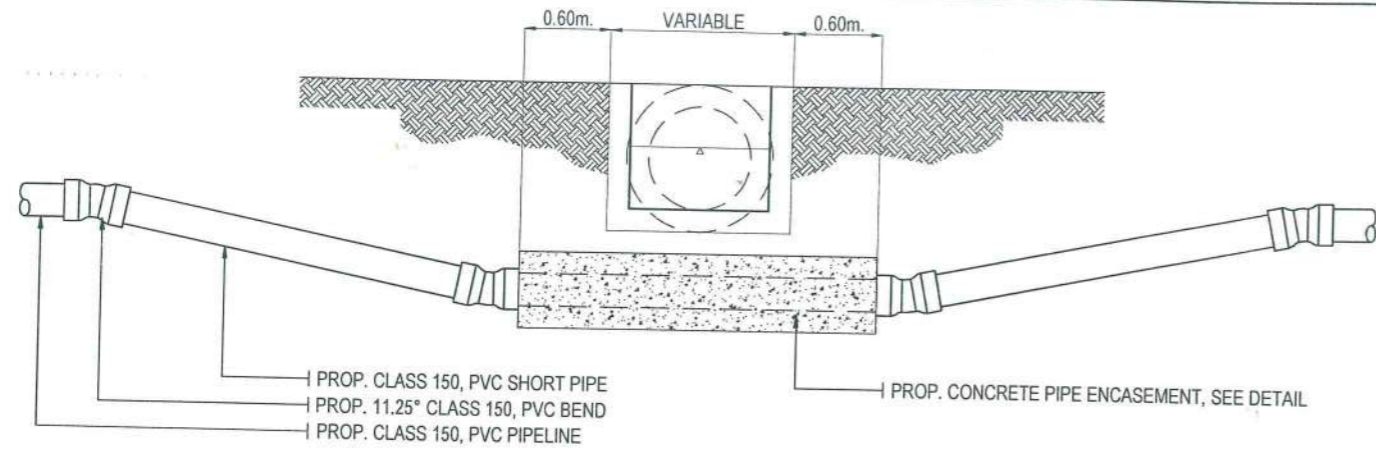
	PREPARED BY: BUNNY L. DAMPHOS SENIOR ENGINEER A & CE DESIGN DIVISION VERLIN ANN B. LACASTESANTOS-LORIA SENIOR ENGINEER & ME DESIGN DIVISION	LEONARDO S. ALCALA, CE ENGINEER II, CEO REY D. SALE JR., CE SENIOR ENGINEER A DESIGN DIVISION, ZONING	MICHAEL A. FRANCISCO ENGINEER III, CEO OIC, CHIEF PLANNING, DESIGNING AND PROGRAMMING DIVISION, CEO EDITO M. BAUTISTA JR., CE OFFICER-IN-CHARGE DESIGN DIVISION, ZONING	RECOMMENDING APPROVAL: MICHAEL C. PALANCA, CE ENGINEER II OIC-ASSISTANT CITY ENGINEER, CEO MARLI P. ACOSTA-DE FIESTA DATA ENGINEERING & CONSTRUCTION DEPARTMENT OIC - TECHNICAL SERVICES GROUP, ZONING	APPROVED FOR PROJECT IMPLEMENTATION: CHRISTOPHER O. NAVARRO CITY ENGINEER REYNALDO R. CABILIN ACTING GENERAL MANAGER, ZONING	PROJECT: MAINLINE REPLACEMENT PROGRAM (LGU FUNDED) PHASE 2 SHEET CONTENT: AS INDICATED	SHEET NO: 28
	CITY OF ZAMBOANGA						



PIPE SUPPORT DETAIL

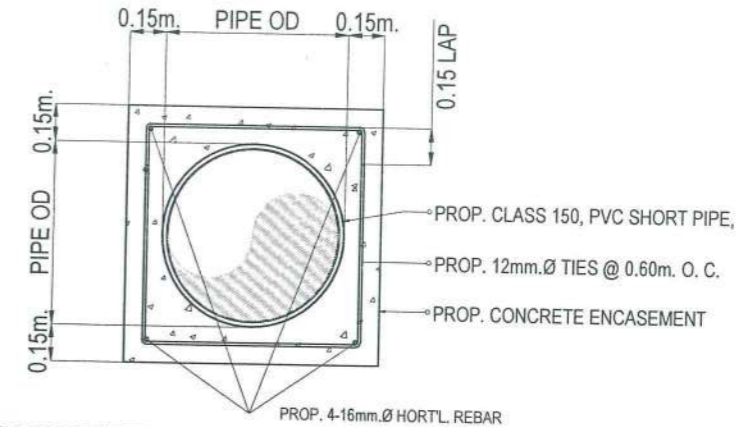
GOV. ALVAREZ BRIDGE CROSSING DETAIL

	PREPARED BY: BUNNY L. DAMPAS <small>SENIOR ENGINEER & CE DESIGN DIVISION</small>	 LEONARD S. ALCALA, CE <small>ENGINEER II, CEO</small>	 MICHAEL A. FRANCISCO <small>ENGINEER II, CEO OIC, CHIEF PLANNING, DESIGN AND PROGRAMMING DIVISION, CEO</small>	RECOMMENDING APPROVAL: MICHAEL C. PALANCA, CE <small>ENGINEER II OIC-ASSTANT CITY ENGINEER, CEO</small>	APPROVED FOR PROJECT IMPLEMENTATION: CHRISTOPHER C. NAVARRO <small>CITY ENGINEER, CEO</small>	PROJECT: MAINLINE REPLACEMENT PROGRAM (LGU FUNDED) PHASE 2	SHEET NO.: 29
	 VERLIN ANN B. LACASTESANTOS-LORIA <small>SENIOR ENGINEER & CE DESIGN DIVISION</small>	 REX SALE JR., CE <small>SENIOR ENGINEER & CE DESIGN DIVISION, ZONING</small>	 EDITO M. BAUTISTA JR., CE <small>OFFICER IN CHARGE DESIGN DIVISION, ZONING</small>	 MARLY P. ACOSTA-DE FIESTA <small>DMA, ENGINEERING & CONSTRUCTION DEPARTMENT OIC, TECHNICAL SERVICES GROUP, ZONING</small>	 REYNALDO R. CABILIN <small>ACTING GENERAL MANAGER, ZONING</small>	SHEET CONTENT: AS INDICATED	



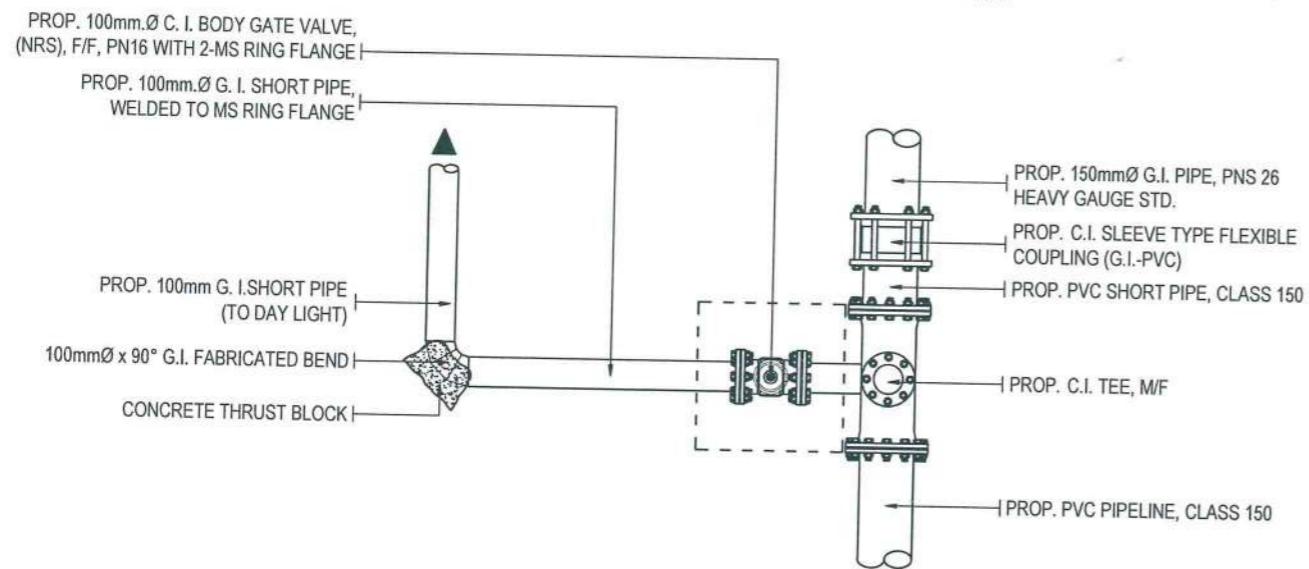
TYPICAL DETAIL OF DRAINAGE CROSSING

SCALE: NTS



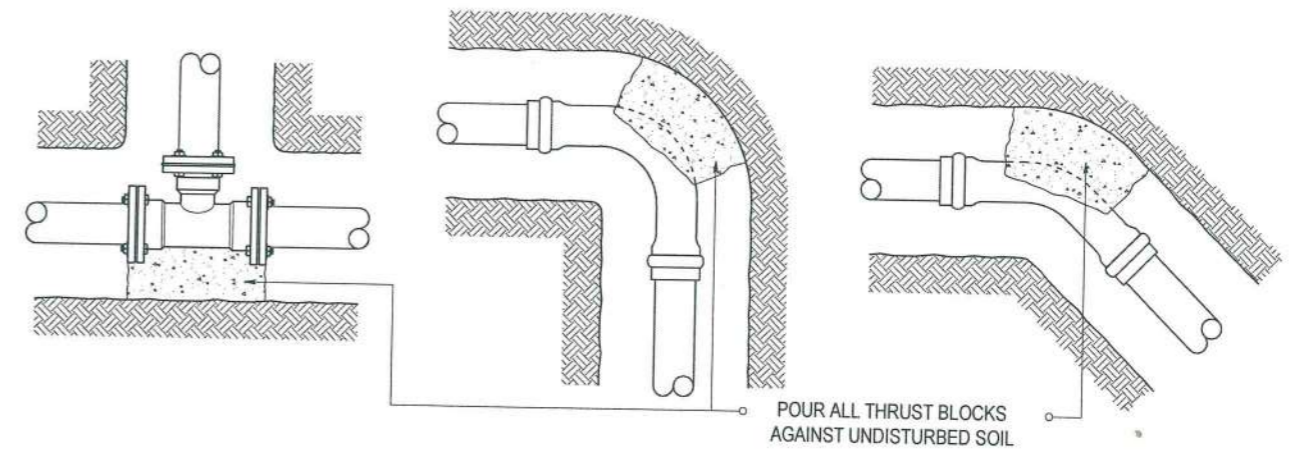
DETAIL OF CONCRETE PIPE ENCASEMENT ENCASEMENT

SCALE: 1:15 M.



TYPICAL DETAIL OF BLOW-OFF ASSEMBLY

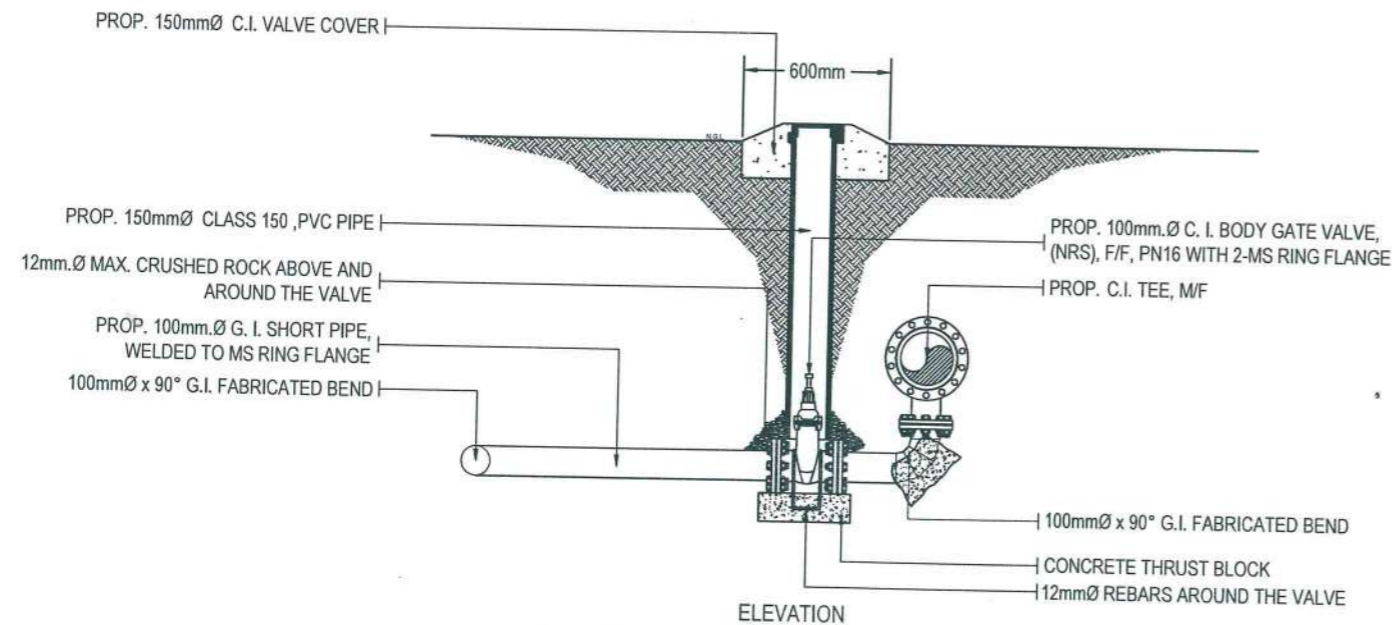
SCALE: NTS



LAYOUT PLAN

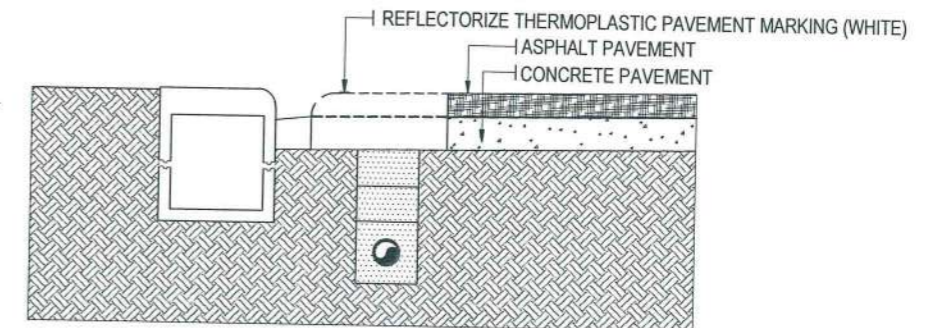
TYPICAL DETAIL OF CONCRETE THRUST BLOCK

SCALE: 1:20 M.



DETAIL OF 3" WIDTH THERMOPLASTIC PAVEMENT MARKING FOR NATIONAL ROAD

SCALE: NTS



	PREPARED BY: BUNNY L. DAMPIOS SENIOR ENGINEER & CE DESIGN DIVISION	LEONARDO S. ALCALA, CE ENGINEER & CEO	MICHAEL A. FRANCISCO ENGINEER & CEO OIC, CHIEF PLANNING & DESIGN DIVISION	RECOMMENDING APPROVAL: MICHAEL O. PALANCA, CE ENGINEER & CEO OIC, ASSISTANT CITY ENGINEER, CEO	APPROVED FOR PROJECT IMPLEMENTATION: CHRISTOPHER O. NAVARRO ENGINEER & CEO OIC, CHIEF PLANNING & DESIGN DIVISION	PROJECT: MAINLINE REPLACEMENT PROGRAM (LGU FUNDED) PHASE 2	SHEET NO.: 30	
	VERLIN ANN B. LACASTESANTOS-LORIA SENIOR ENGINEER & CE DESIGN DIVISION	REYNALDO R. CABILIN SENIOR ENGINEER & CE DESIGN DIVISION, ZCWD	EDITO M. BAUTISTA JR., CE OFFICER-IN-CHARGE DESIGN DIVISION, ZCWD	MARLU P. ACOSTA-DE FIESTA DATA ENGINEERING & CONSTRUCTION DEPARTMENT OIC, TECHNICAL SERVICES GROUP, ZCWD	REYNALDO R. CABILIN SENIOR ENGINEER & CE OIC, CHIEF PLANNING & DESIGN DIVISION	SHEET CONTENT: AS INDICATED		