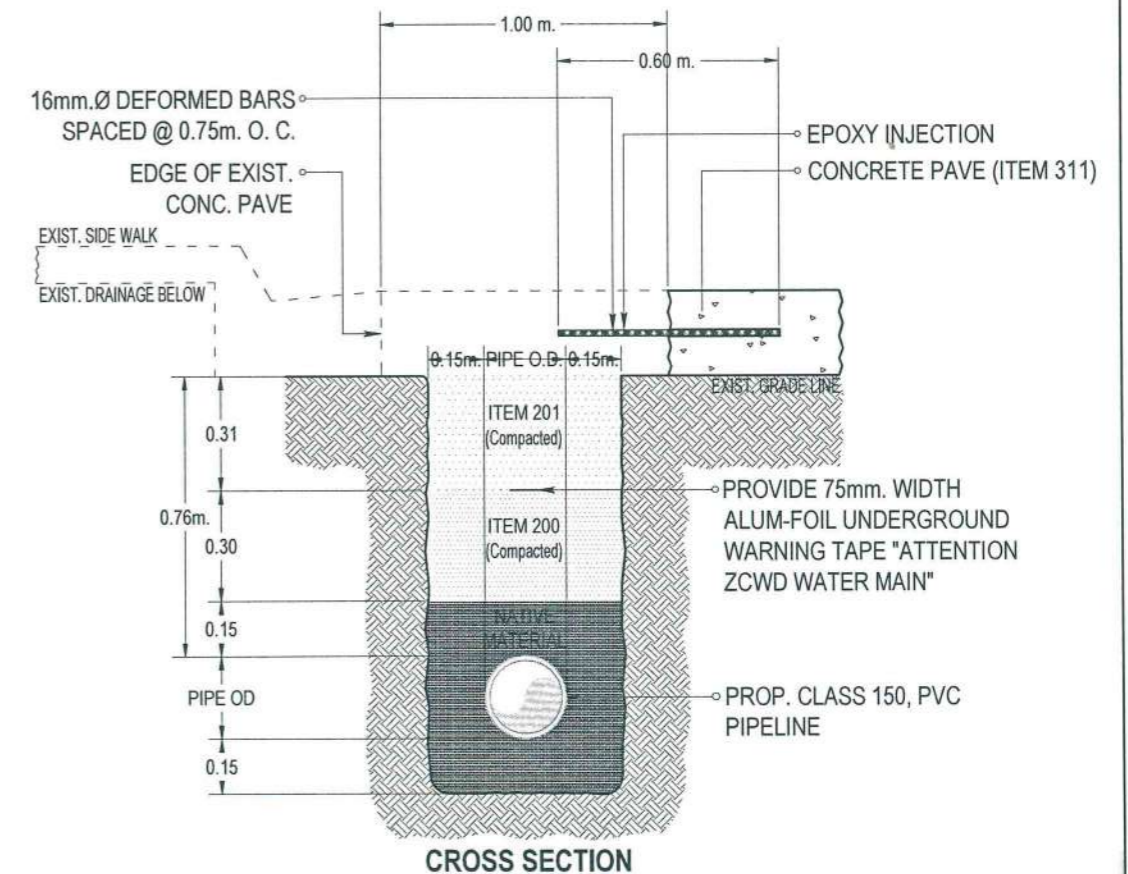
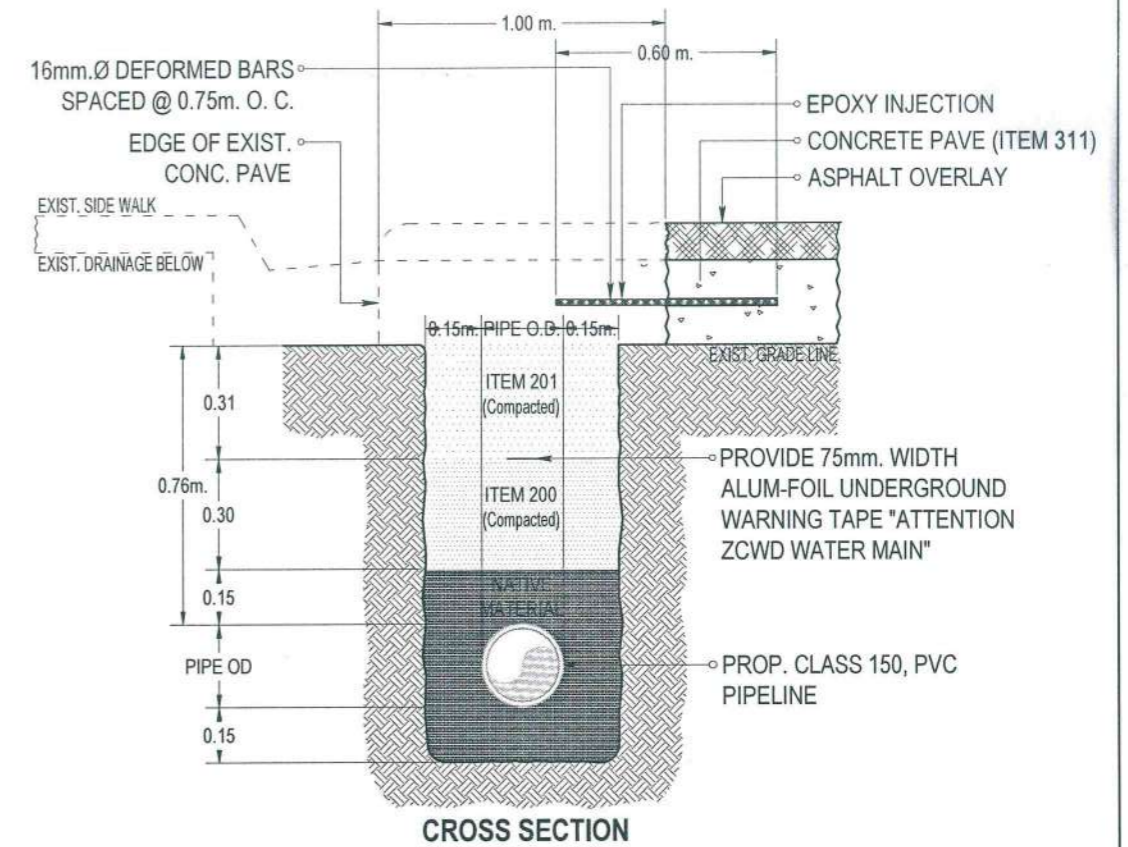
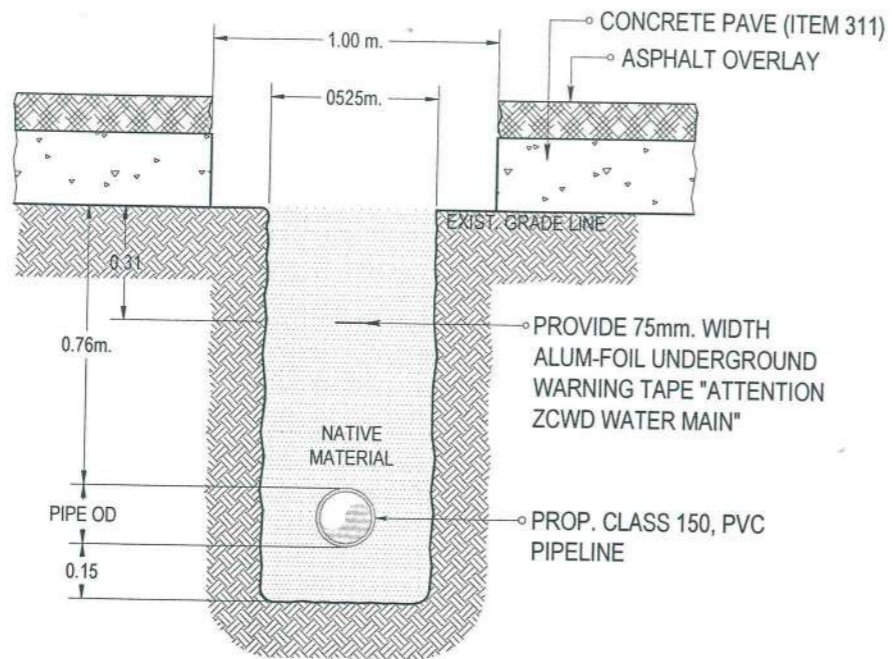


CONCRETE CUTTING AND DEMOLITION SCHEDULE													
Street/Drive Name	For Pipeline		For Serviceline		Total Length	For Pipeline			For Serviceline			Concrete Pavement Thickness (mm)	Total Area
	Concrete Cutting		Concrete Cutting			Concrete Demolition			Concrete Demolition				
	Single or Double Cutting	Length (Ln.m.)	Single or Double Cutting	Length (Ln.m.)		Length (Ln.m.)	Width (Ln.m.)	Area (Sq.m.)	Length (Ln.m.)	Width (Ln.m.)	Area (Sq.m.)		
Gonzales Drive	Double	378.52	0	0	378.52	189.26	1	189.26	0	0	0	230	189.26
Rizal St.	Double	496.64	0	0	496.64	248.32	1	248.32	0	0	0	280	248.32
Orendain St.	Double	381.86	0	0	381.86	190.93	1	190.93	0	0	0	230	190.93
Pura Brillantes St.	Double	275.04	Double	16	291.04	137.52	1	137.52	8	0.2	1.6	230	139.12
Corcuerra St.	Double	508.46	0	0	508.46	254.23	1	254.23	0	0	0	230	254.23
Zaragoza St.	Double	669.24	Double	22.72	691.96	334.62	1	334.62	11.36	0.2	2.27	230	336.892
Rodriguez St.	Double	590.08	0	0	590.08	295.04	1	295.04	0	0	0	230	295.04
Sevilla St.	Double	677.3	Double	68.4	745.7	338.65	1	338.65	34.2	0.2	6.84	230	345.49
P. Reyes St.	Double	274.26	Double	53	327.26	137.13	1	137.13	26.5	0.2	5.3	230	142.43
Campaner St.	Double	813.52	Double	126.4	939.92	406.76	1	406.76	63.2	0.2	12.64	230	419.4
Villalobos St.	Double	534.24	0	0	534.24	267.12	1	267.12	0	0	0	230	267.12
Buenavista	Double	1322.08	0	0	1322.08	661.04	1	661.04	0	0	0	230	661.04
La Purisima St.	Double	1837.18	0	0	1837.18	918.59	1	918.59	0	0	0	230	918.59
Gen. Vicente Alvarez St.	Double	827.34	Double	80	907.34	413.67	1	413.67	40	0.2	8	300	421.67
Veterans Ave.	Double	689.16	0	0	689.16	344.58	1	344.58	0	0	0	280	344.58
Sta. Catalina	Double	4624.48	0	0	4624.48	2312.24	1	2312.24	0	0	0	230	2312.24
Gov. Alvarez St.	Double	1932.5	0	0	1932.5	966.25	1	966.25	0	0	0	230	966.25

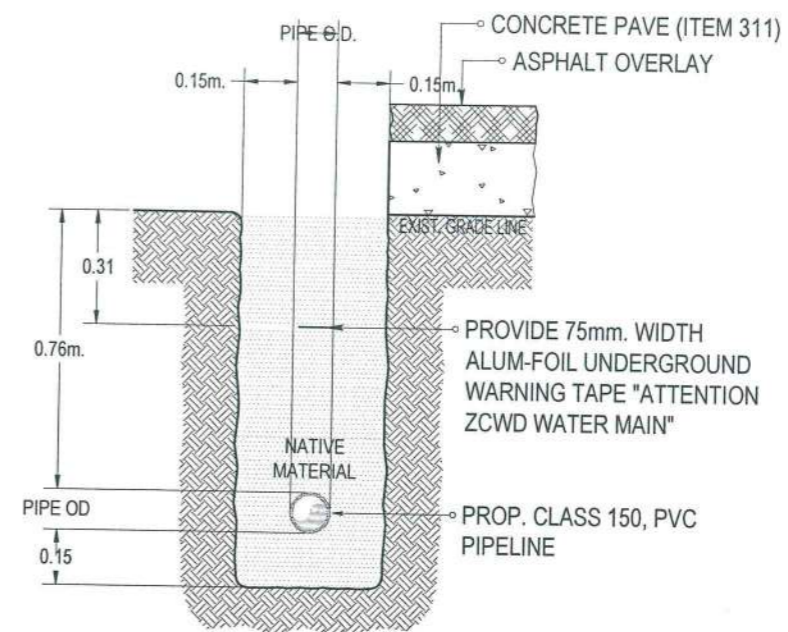
ASPHALT CUTTING AND DEMOLITION SCHEDULE													
Street/Drive Name	For Pipeline		For Serviceline		Total Length	For Pipeline			For Serviceline			Asphalt Pavement Thickness (mm)	Total Area
	Asphalt Cutting		Asphalt Cutting			Asphalt Demolition			Asphalt Demolition				
	Single or Double Cutting	Length (Ln.m.)	Single or Double Cutting	Length (Ln.m.)		Length (Ln.m.)	Width (Ln.m.)	Area (Sq.m.)	Length (Ln.m.)	Width (Ln.m.)	Area (Sq.m.)		
Gonzales Drive	0	0	0	0	0	0	0	0	0	0	0	0	0
Rizal St.	Single	248.32	0	0	248.32	248.32	1	248.32	0	0	0	50	248.32
Orendain St.	Double	381.86	0	0	381.86	190.93	1	190.93	0	0	0	50	190.93
Pura Brillantes St.	Double	275.04	Double	16	291.04	137.52	1	137.52	8	0.2	1.6	50	139.12
Corcuerra St.	Double	508.46	0	0	508.46	254.23	1	254.23	0	0	0	50	254.23
Zaragoza St.	Double	669.24	Double	22.72	691.96	334.62	1	334.62	11.36	0.2	2.272	50	336.892
Rodriguez St.	Double	590.08	0	0	590.08	295.04	1	295.04	0	0	0	50	295.04
Sevilla St.	Double	677.3	Double	68.4	745.7	338.65	1	338.65	34.2	0.2	6.84	50	345.49
P. Reyes St.	Double	274.26	Double	53	327.26	137.13	1	137.13	26.5	0.2	5.3	50	142.43
Campaner St.	Double	813.52	Double	126.4	939.92	406.76	1	406.76	63.2	0.2	12.64	50	419.4
Villalobos St.	Double	534.24	0	0	534.24	267.12	1	267.12	0	0	0	50	267.12
Buenavista	Double	1322.08	0	0	1322.08	661.04	1	661.04	0	0	0	100	661.04
La Purisima St.	Double	1837.18	0	0	1837.18	918.59	1	918.59	0	0	0	50	918.59
Gen. Vicente Alvarez St.	Single	413.67	Double	80	493.67	413.67	1	413.67	40	0.2	8	100	421.67
Veterans Ave.	Single	344.58	0	0	344.58	344.58	1	344.58	0	0	0	150	344.58
Sta. Catalina	Double	2055.84	0	0	2055.84	1027.92	1	1027.92	0	0	0	50	1027.92
Gov. Alvarez St.	Double	1932.5	0	0	1932.5	966.25	1	966.25	0	0	0	50	966.25



TYPICAL TRENCH FOR NATIONAL ROAD

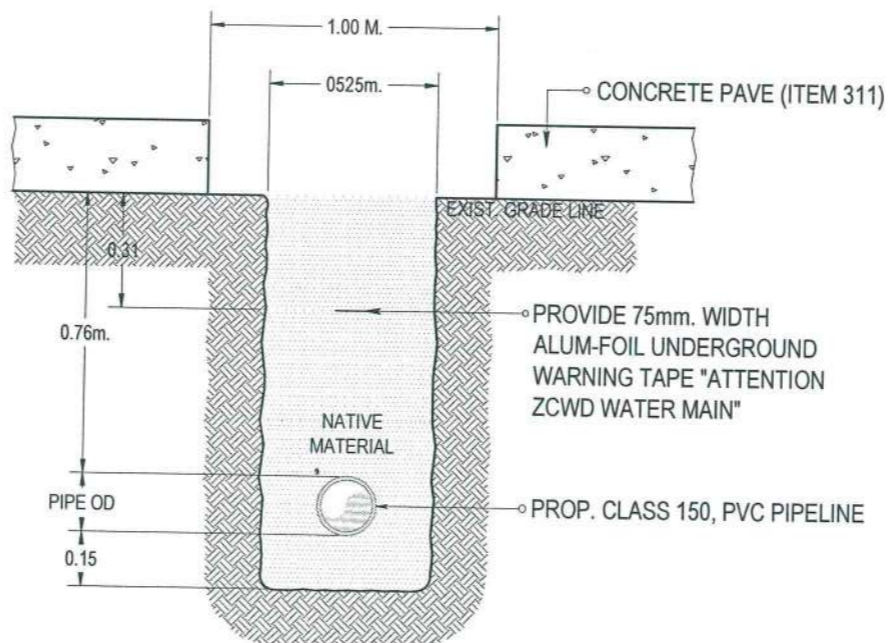


CROSS SECTION



CROSS SECTION

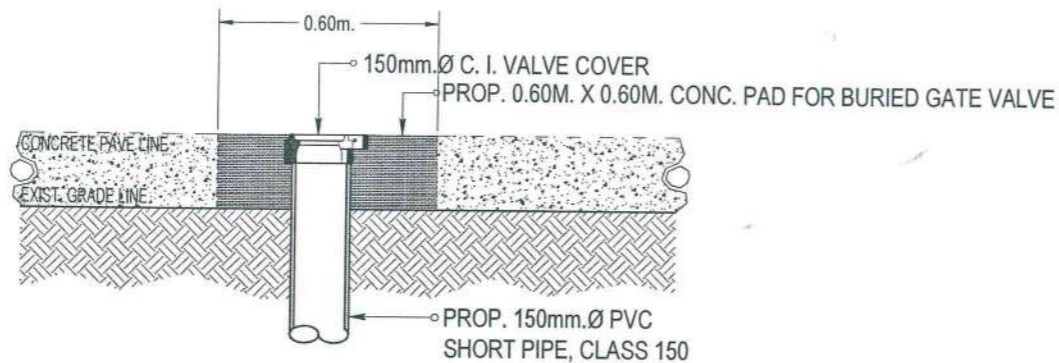
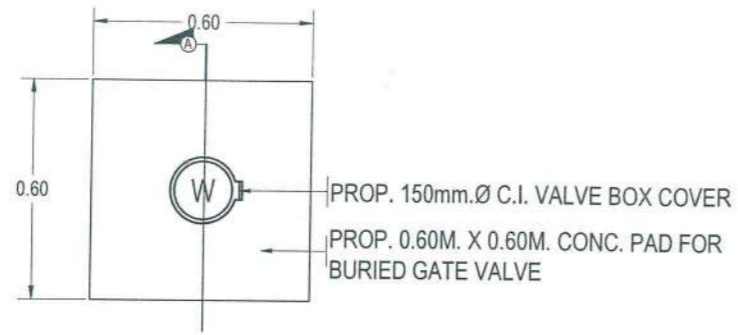
TYPICAL TRENCH FOR BARANGAY ROAD



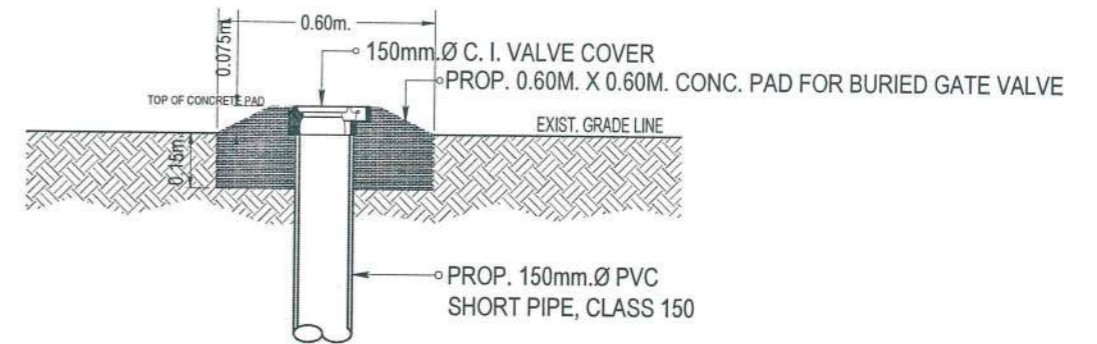
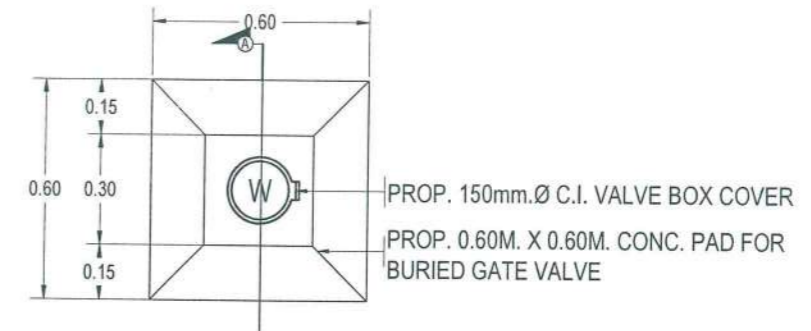
CROSS SECTION

TYPICAL TRENCH FOR BARANGAY ROAD

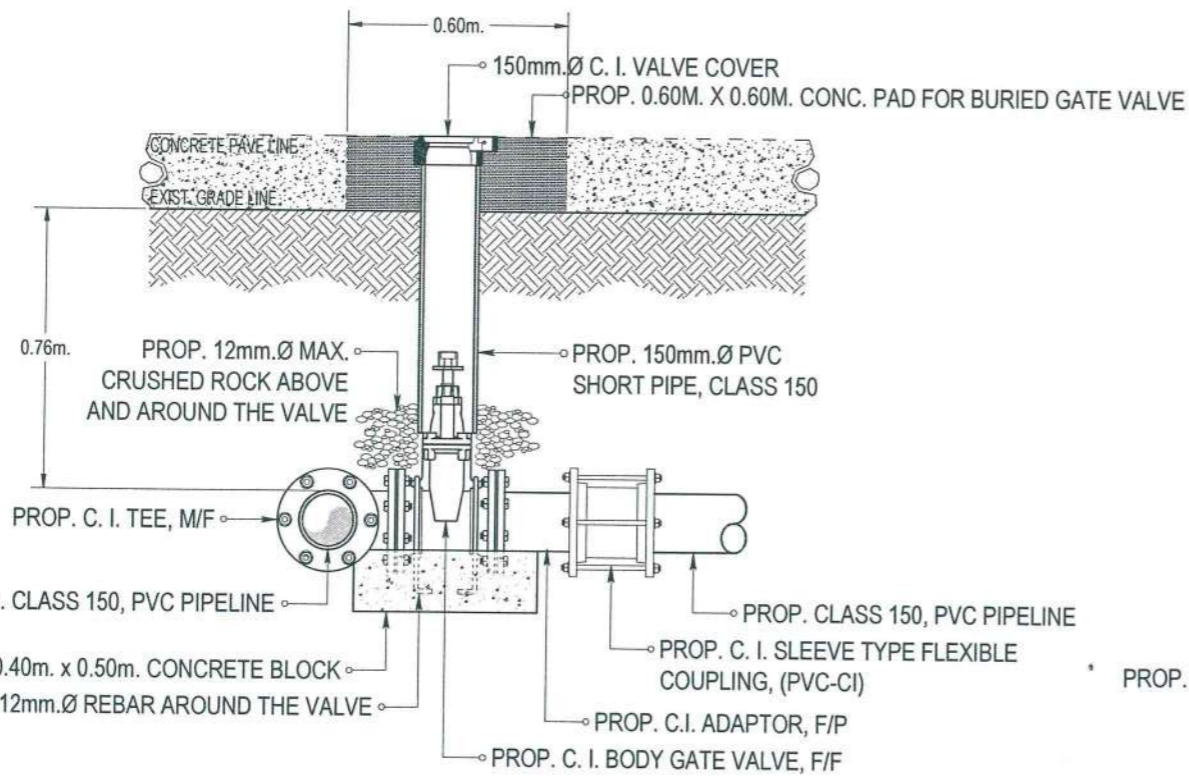
	PREPARED BY: BUNNY L. DAMPIOS SENIOR ENGINEER A/C DESIGN DIVISION VERLIN ANN B. LACASTESANTOS-LORIA SENIOR ENGINEER I/E DESIGN DIVISION	LEONARDO S. ALCALA, CE ENGINEER II, CEO REX D. SALE JR., CE DIVISION ENGINEER A DESIGN DIVISION, ZCWD	MICHAELA FRANCISCO ENGINEER II, CEO OIC, CHIEF PLANNING, DESIGNING AND PROGRAMMING DIVISION, CEO EDITO M. BAUTISTA JR., CE OFFICER IN CHARGE DESIGN DIVISION, ZCWD	RECOMMENDING APPROVAL: MICHAEL C. PALANCA, CE ENGINEER III OIC ASSISTANT DIVISION ENGINEER, CEO MARI P. ACOSTA-DE FIESTA DIVISION ENGINEER'S SUPERVISOR OIC TECHNICAL SERVICES GROUP, ZCWD	APPROVED FOR PROJECT IMPLEMENTATION: CHRISTOPHER O. NAVARRO CITY ENGINEER REYNALDO R. CABILIN ACTING GENERAL MANAGER, ZCWD	PROJECT: MAINLINE REPLACEMENT PROGRAM (LGU FUNDED) PHASE 2 SHEET CONTENT: AS INDICATED	SHEET NO: 32	
	PREPARED BY: [Signature]							



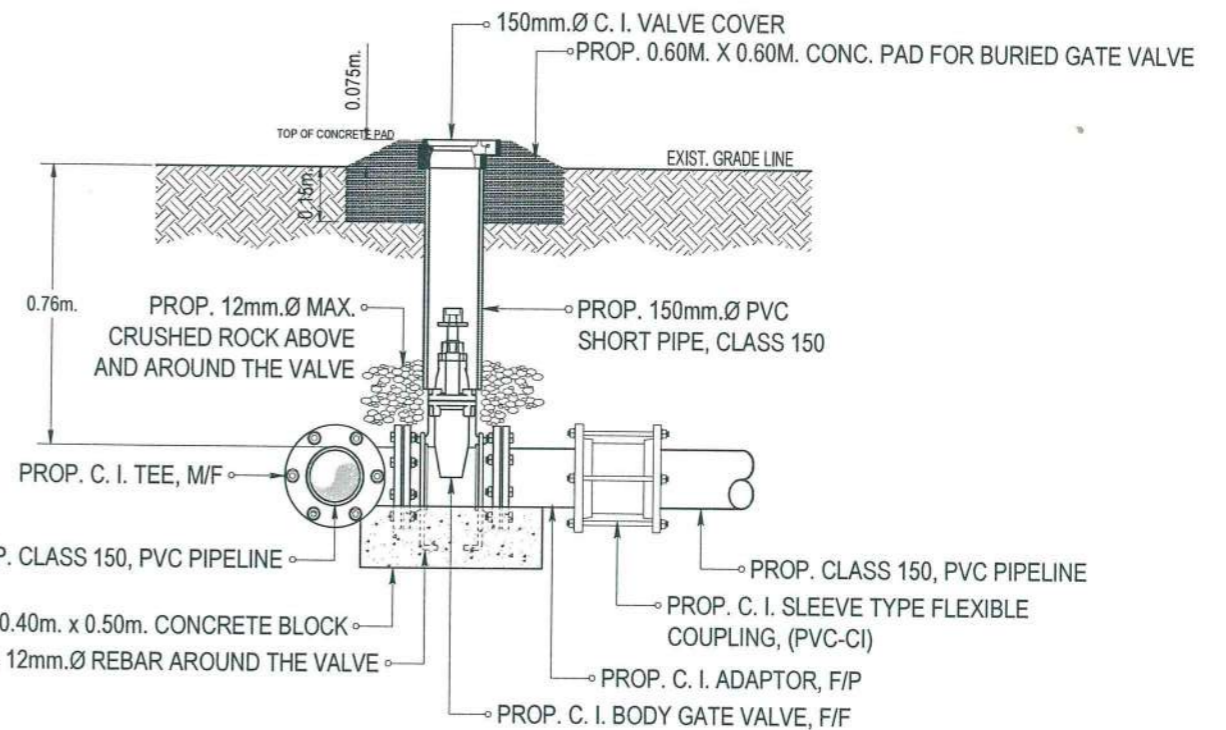
TYPICAL DETAIL OF VALVE BOX COVER
SCALE: NTS



TYPICAL DETAIL OF VALVE BOX COVER
SCALE: NTS

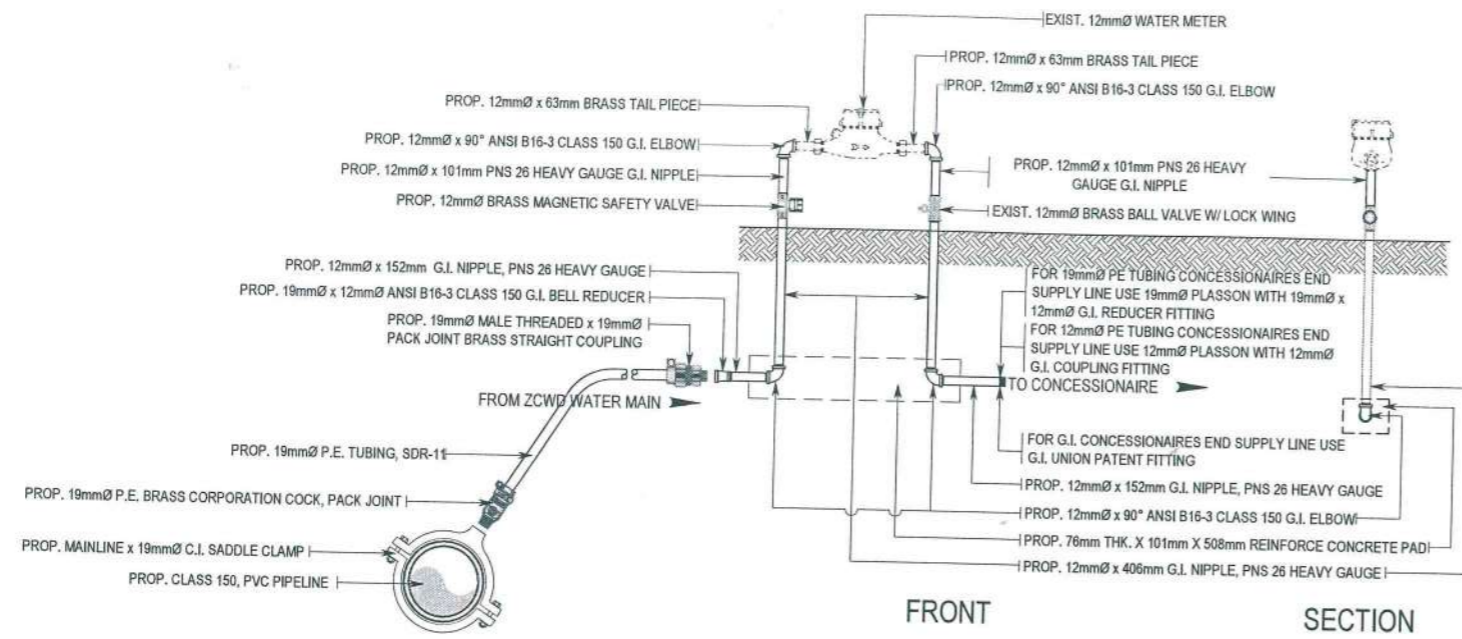


SECTION
TYPICAL DETAIL OF BURIED GATE VALVE IN PAVED AREA
SCALE: 1:20 M.



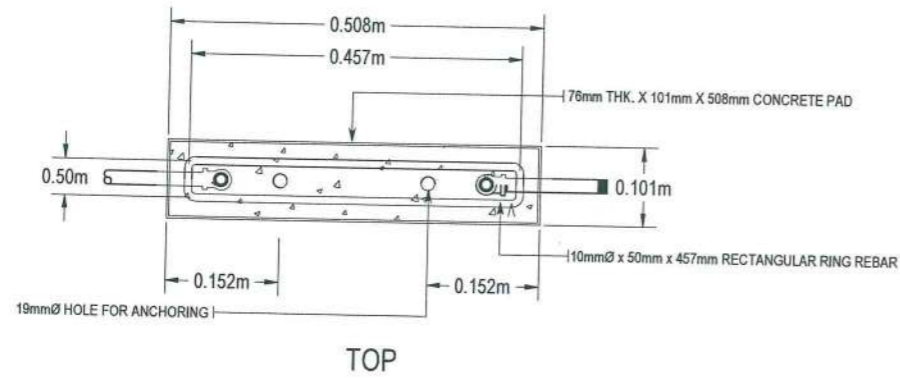
SECTION
TYPICAL DETAIL OF BURIED GATE VALVE IN UNPAVED AREA
SCALE: 1:20 M.

	PREPARED BY: BUNNY L. DAMPIOS SENIOR ENGINEER IN CHARGE DESIGN DIVISION	 LEONARD S. ALCALA, CE ENGINEER IN CHARGE	 MICHAEL A. FRANCISCO ENGINEER II CHIEF PLANNING, DESIGNING AND PROGRAMMING DIVISION, CEO	 MICHAEL C. PALANCA, CE ENGINEER II CHIEF ASSISTANT CITY ENGINEER, CEO	 CHRISTOPHER O. LAVARRO CHIEF ENGINEER 2023.06.15.04	PROJECT: MAINLINE REPLACEMENT PROGRAM (LGU FUNDED) PHASE 2	SHEET NO.: 33	
	 VERLIN ANN B. LACASTESANTOS-LORIA SENIOR ENGINEER IN CHARGE DESIGN DIVISION	 REX D. SALE, JR., CE SENIOR ENGINEER DESIGN DIVISION, ZOWD	 EDITO M. BAUTISTA, JR., CE OFFICER IN CHARGE DESIGN DIVISION, ZOWD	 MARL P. ACOSTA-DE FIESTA DATA ENGINEERING & CONSTRUCTION DEPARTMENT CHIEF TECHNICAL SERVICES GROUP, ZOWD	 REYNALDO R. CABILIN ACTING GENERAL MANAGER, ZOWD	SHEET CONTENT: AS INDICATED		

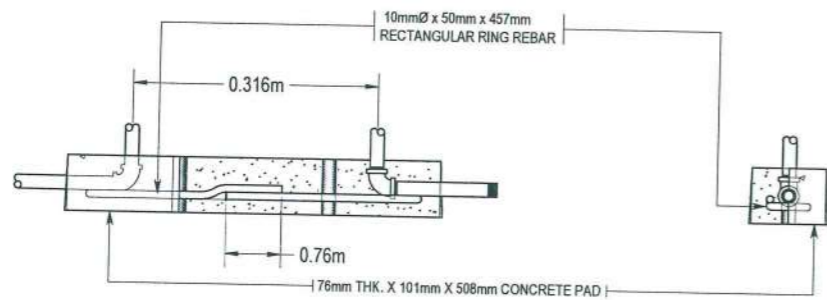


DETAIL OF WATER METER STAND

SCALE: 1:10m



TOP

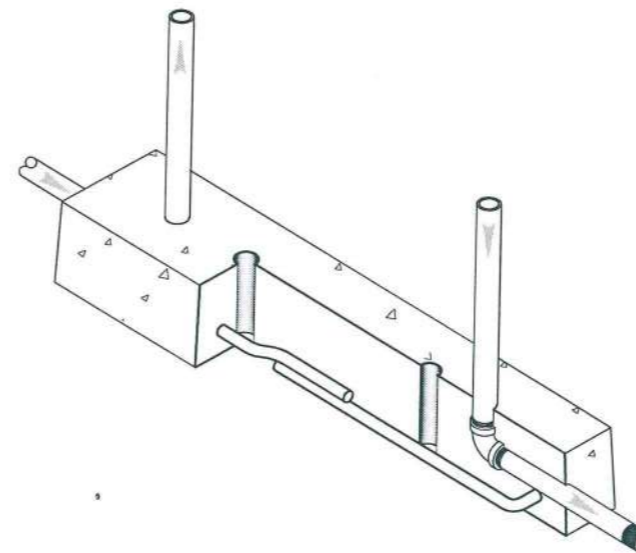


FRONT SECTION X

SIDE SECTION X

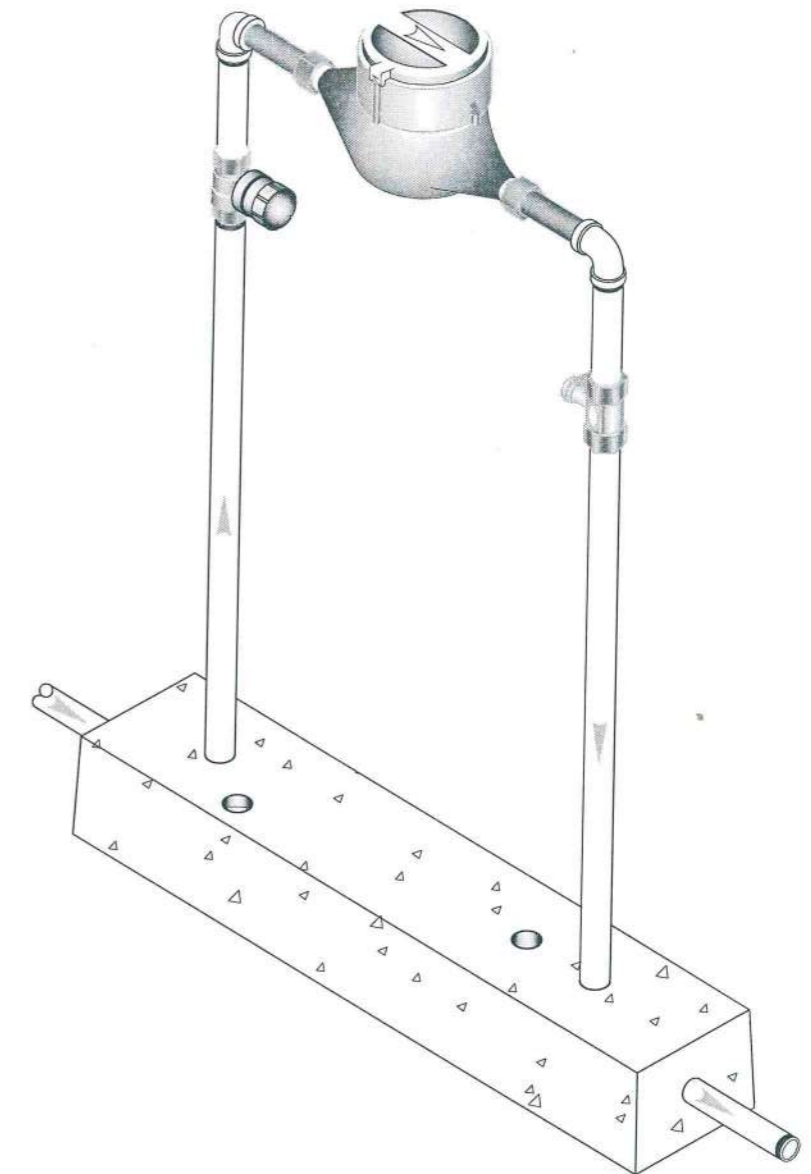
DETAIL OF CONCRETE BLOCK

SCALE: 1:10m



ISOMETRIC VIEW X

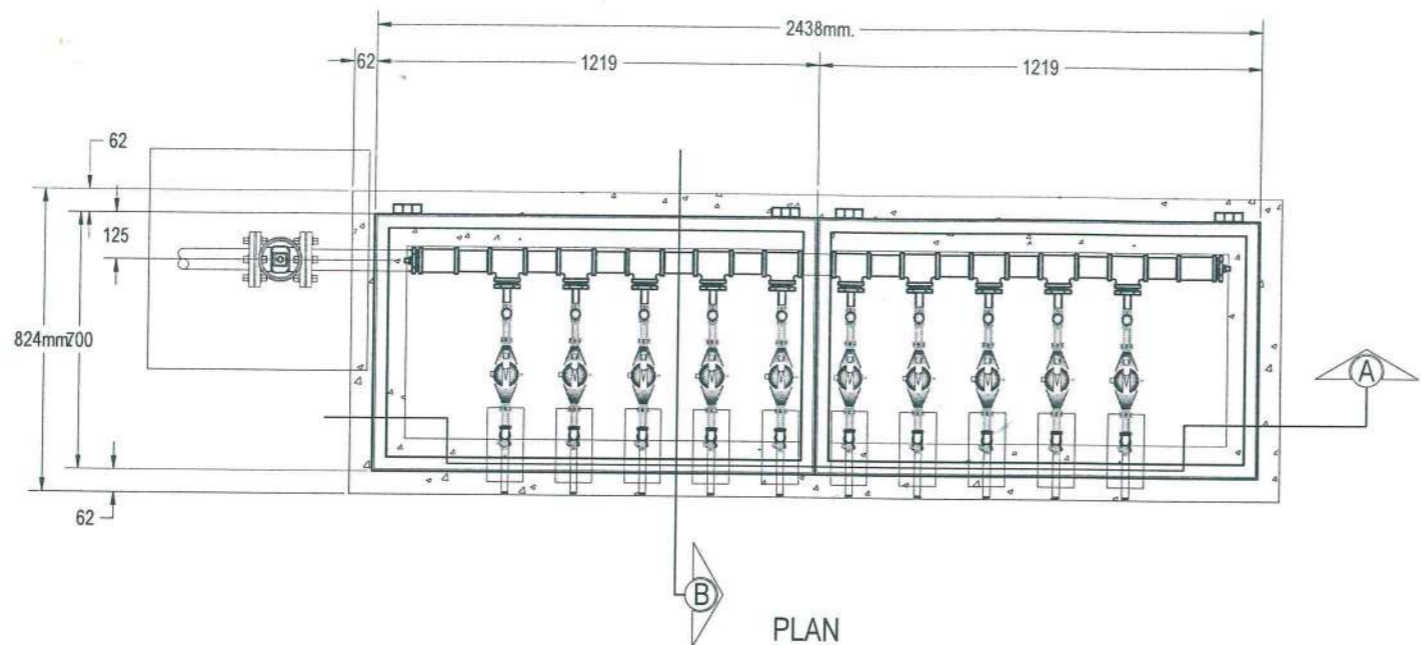
SCALE: 1:15m



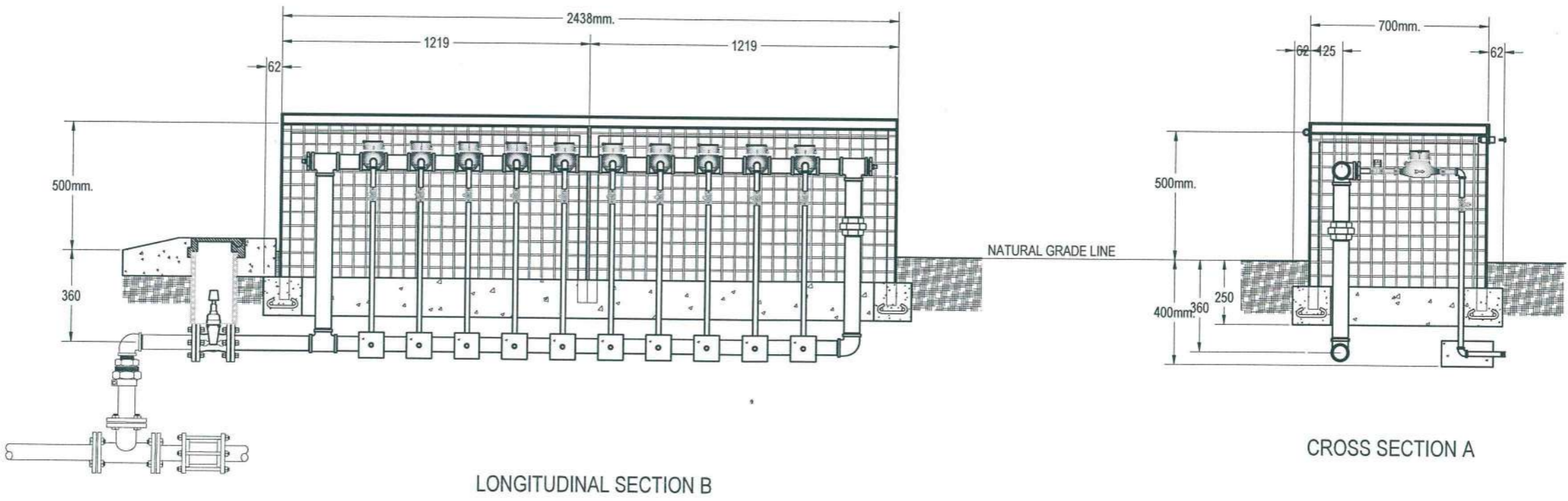
PICTORIAL VIEW

SCALE: 1:15m

	PREPARED BY: BUNNY L. DAMPHOS SENIOR ENGINEER A/CE DESIGN DIVISION VERLIN ANN B. LACASTESANTOS-LORIA SENIOR ENGINEER P/CE DESIGN DIVISION	LEONARDO S. ALCALA, CE ENGINEER II, CEO CHIEF PLANNING, DESIGN AND PROGRAMMING DIVISION, CEO	MICHAEL A. FRANCISCO ENGINEER II CHIEF PLANNING, DESIGN AND PROGRAMMING DIVISION, CEO	RECOMMENDING APPROVAL: MICHAEL B. PALANCA, CE ENGINEER II CHIEF PLANNING, DESIGN AND PROGRAMMING DIVISION, CEO	APPROVED FOR PROJECT IMPLEMENTATION: CHRISTOPHER O. MAVARRO ENGINEER III CHIEF PLANNING, DESIGN AND PROGRAMMING DIVISION, CEO	PROJECT: MAINLINE REPLACEMENT PROGRAM (LGU FUNDED) PHASE 2	SHEET NO.: 34	
	EDITO M. BAUTISTA JR., CE SENIOR ENGINEER A/CE DESIGN DIVISION, ZCWD	MARL P. ACOSTA-DE FIESTA DR. ENGINEERING & CONSTRUCTION DEPARTMENT CHIEF TECHNICAL SERVICES GROUP, ZCWD	REYNALDO R. CABILIN ACTING GENERAL MANAGER, ZCWD	SHEET CONTENT: AS INDICATED				



PLAN



LONGITUDINAL SECTION B

CROSS SECTION A

WATER METER CLUSTER WITH PROTECTOR
SCALE: 1:20m

	PREPARED BY: BUNNY L. DAMPHOS <small>SENIOR ENGINEER A/CE DESIGN DIVISION</small> VERLIN ANN B. LACASTESANTOS-LORIA <small>SENIOR ENGINEER A/CE DESIGN DIVISION</small>	 LEONARDO S. ALCALA, CE <small>ENGINEER II, CEO</small> REX D. SALE JR., CE <small>SENIOR ENGINEER A DESIGN DIVISION, ZOWD</small>	 MICHAEL A. FRANCISCO <small>ENGINEER II, CEO</small> <small>OIC, CHIEF PLANNING, DESIGNING AND PROGRAMMING DIVISION, CEO</small> EDITO M. BAUTISTA JR., CE <small>OFFICER-IN-CHARGE DESIGN DIVISION, ZOWD</small>	RECOMMENDING APPROVAL: MICHAEL C. PALANCA, CE <small>ENGINEER</small> <small>OIC, ASSISTANT CITY ENGINEER, CEO</small> MARIA P. ACOSTA-DE FIESTA <small>DMA, ENGINEERING & CONSTRUCTION DEPARTMENT</small> <small>OIC, TECHNICAL SERVICES GROUP, ZOWD</small>	APPROVED FOR PROJECT IMPLEMENTATION: CHRISTOPHER O. NAVARRO <small>ENGINEER</small> <small>OIC, ASSISTANT CITY ENGINEER, CEO</small> REYNALDO R. CABILIN <small>ACTING GENERAL MANAGER, ZOWD</small>	PROJECT: MAINLINE REPLACEMENT PROGRAM (LGU FUNDED) PHASE 2	SHEET NO.: 35	
	SHEET CONTENT: AS INDICATED							