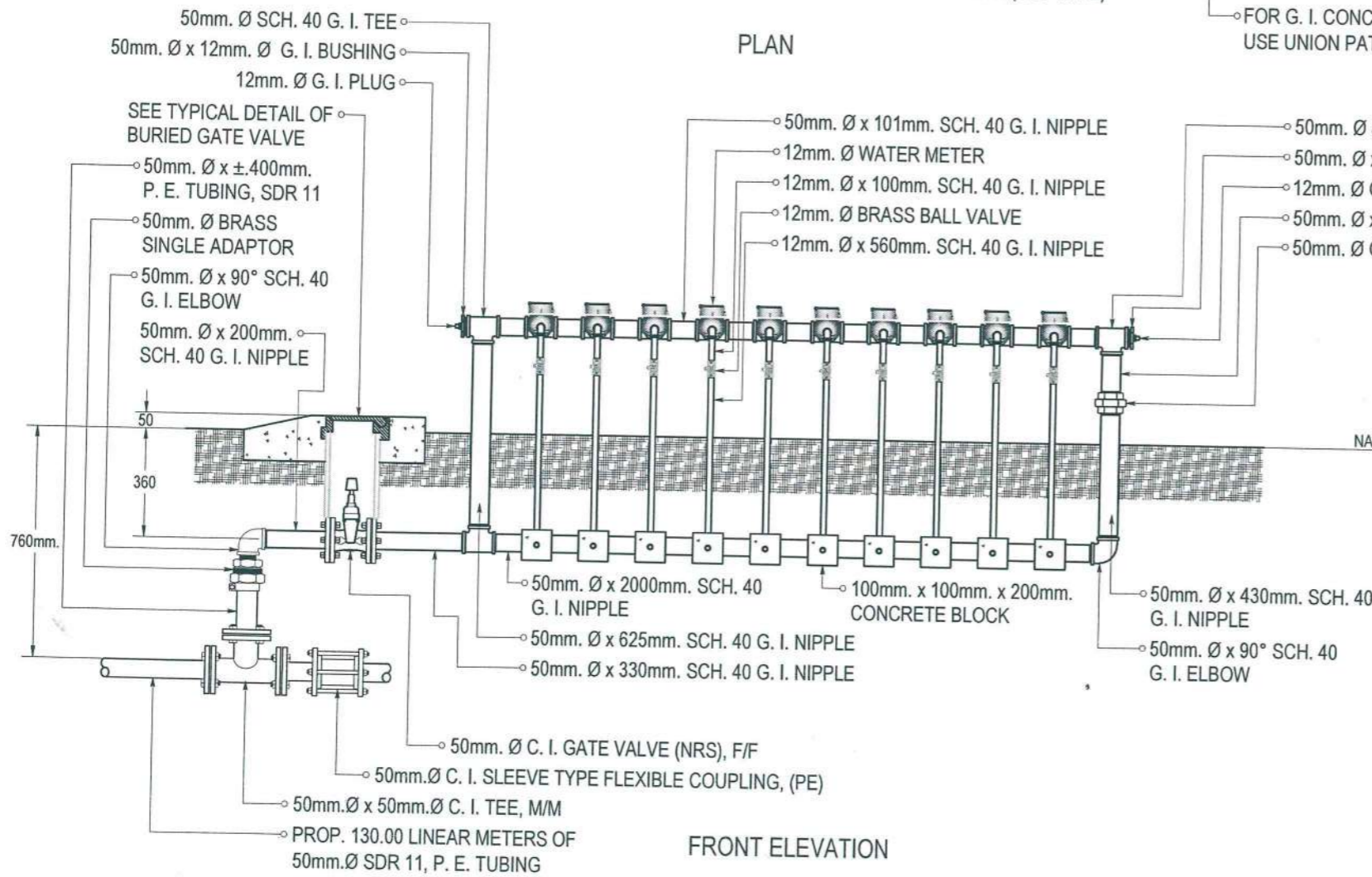
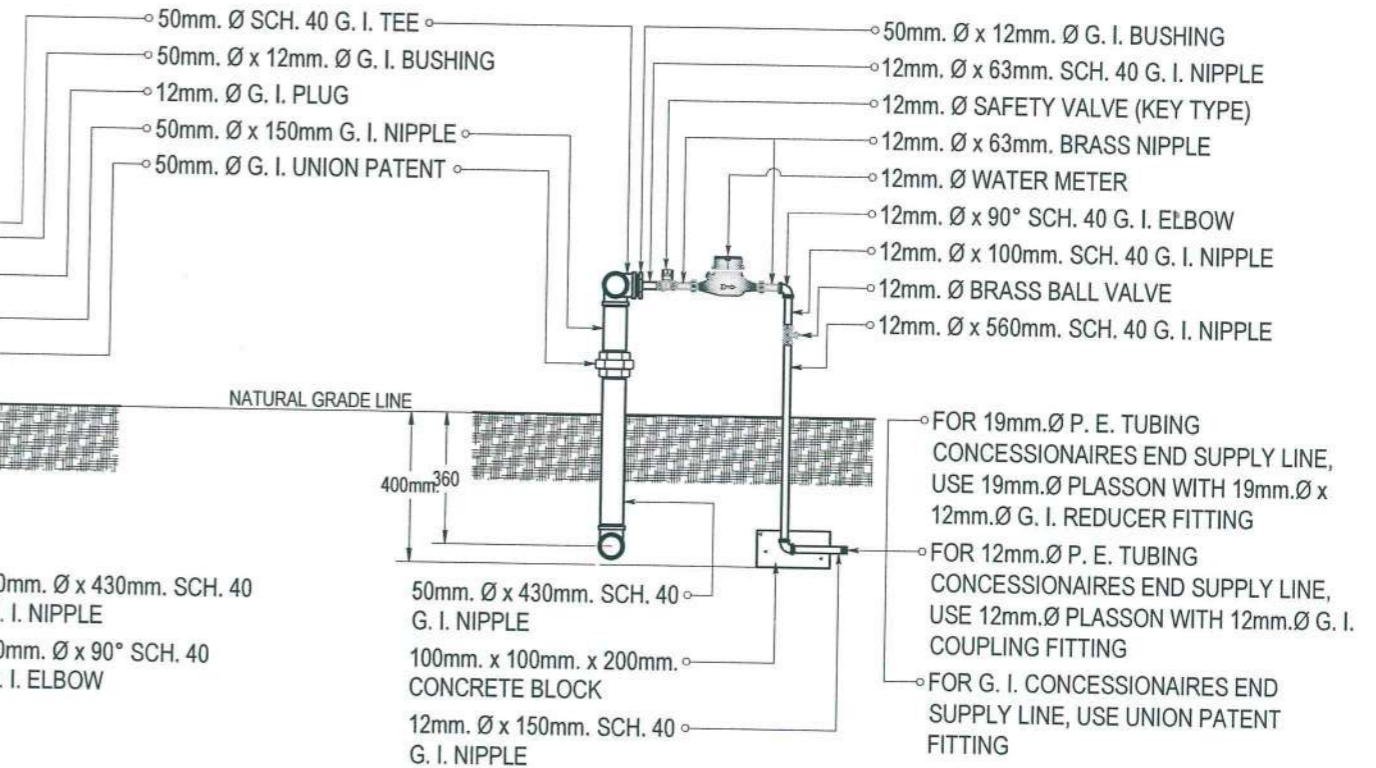


- FOR 19mm.Ø P. E. TUBING CONCESSIONAIRES END SUPPLY LINE, USE 19mm.Ø PLASSON WITH 19mm.Ø x 12mm.Ø G. I. REDUCER FITTING
- FOR 12mm.Ø P. E. TUBING CONCESSIONAIRES END SUPPLY LINE, USE 12mm.Ø PLASSON WITH 12mm.Ø G. I. COUPLING FITTING
- FOR G. I. CONCESSIONAIRES END SUPPLY LINE, USE UNION PATENT FITTING

PLAN



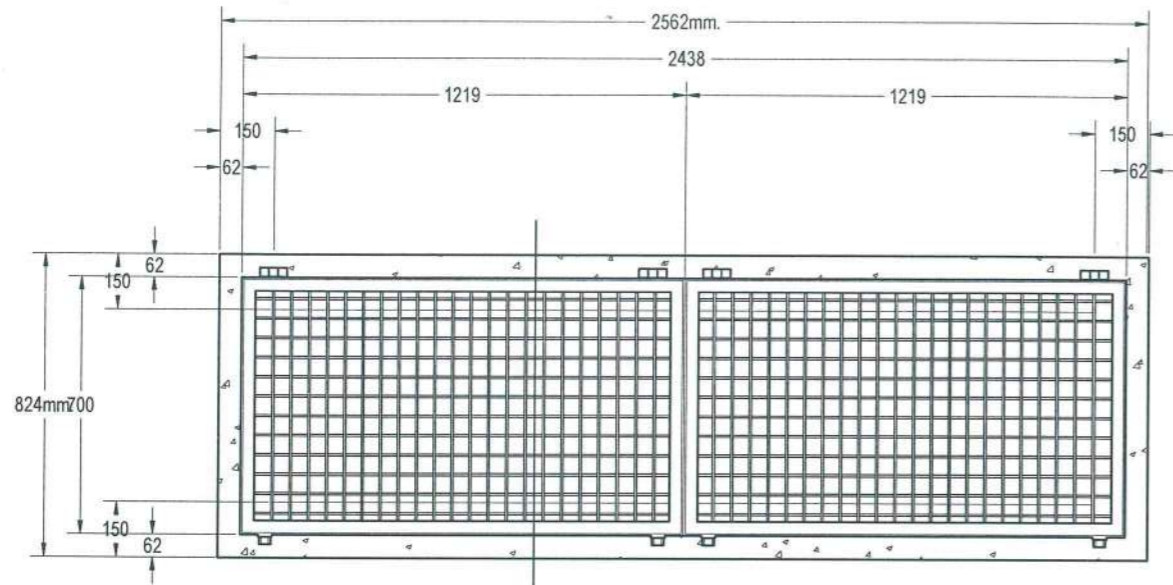
FRONT ELEVATION



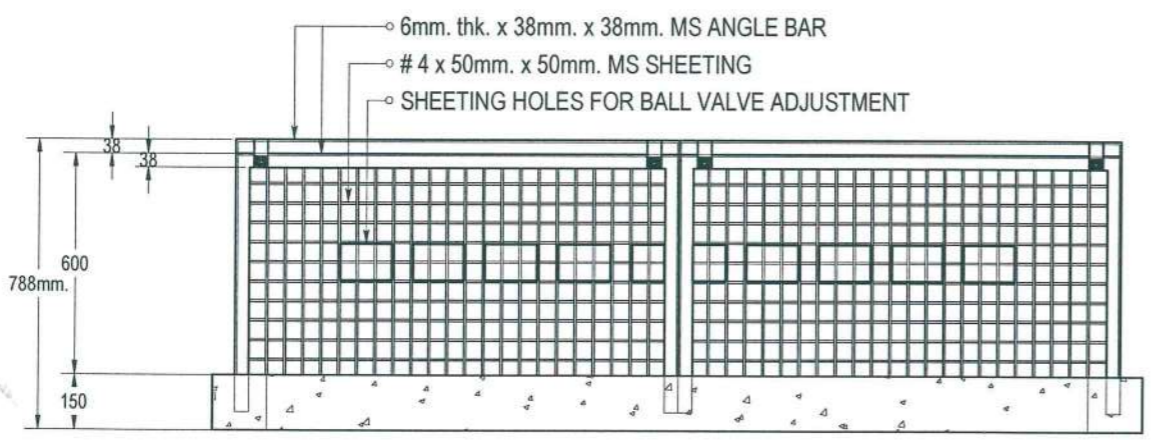
CROSS SECTION A

WATER METER CLUSTER WITH PROTECTOR

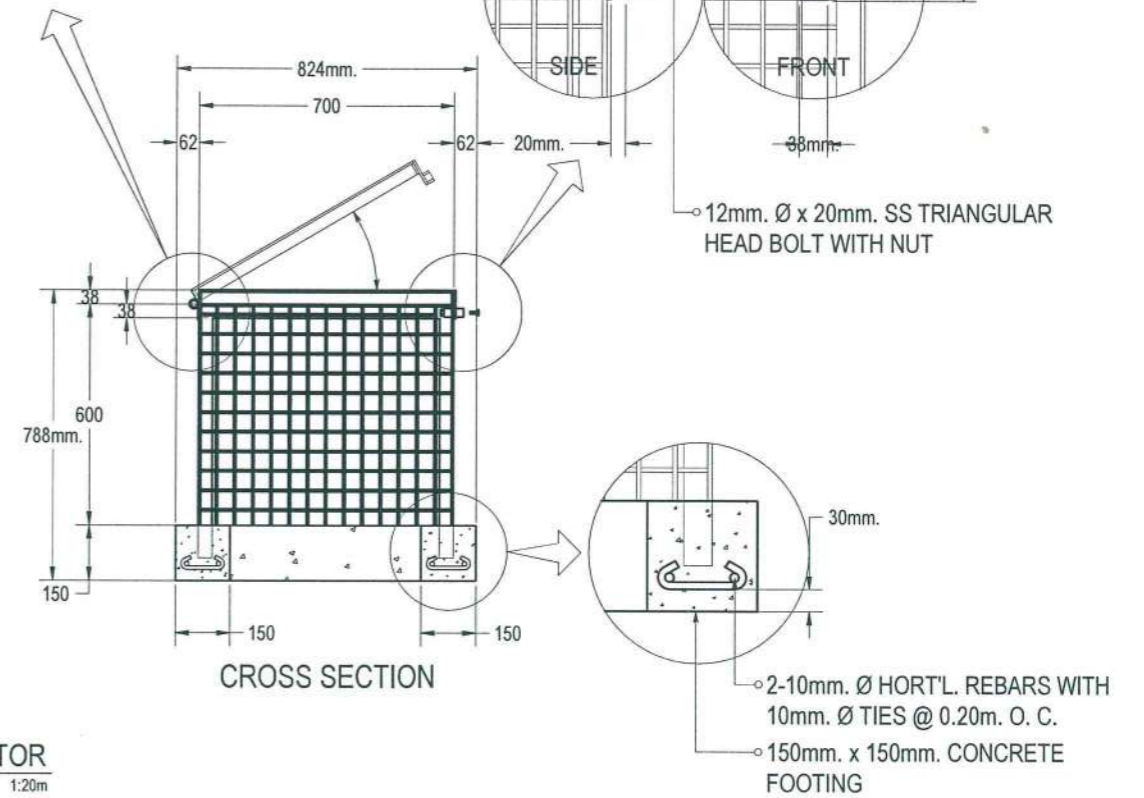
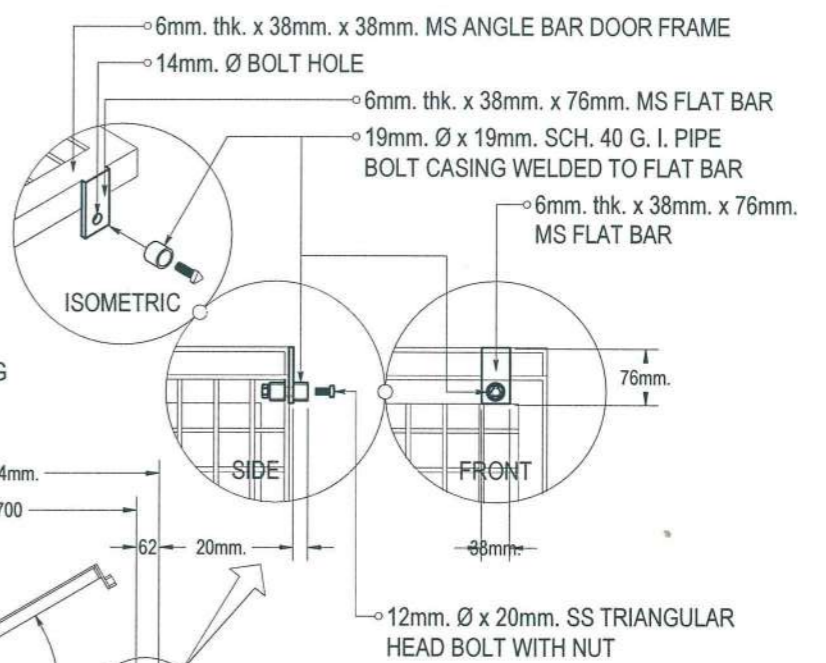
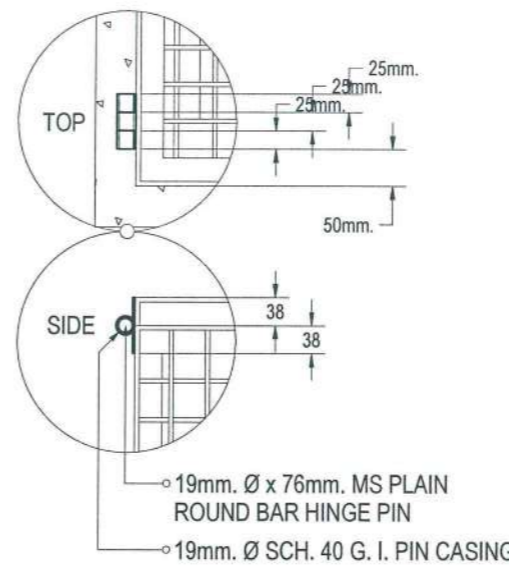
	PREPARED BY: BUNNY L. DAMPIOS SENIOR ENGINEER & CE DESIGN DIVISION VERLIN ANN B. LACASTESANTOS -LORIA SENIOR ENGINEER & CE DESIGN DIVISION	LEONARDO S. ALCALA, CE ENGINEER, CE REY D. SALE JR., CE SENIOR ENGINEER & CE DESIGN DIVISION, ZOND	MICHAEL A. FRANCISCO ENGINEER III, CE CHIEF PLANNING, DESIGNING AND PROGRAMMING DIVISION, CE EDITO M. BAUTISTA JR., CE OFFICER IN CHARGE DESIGN DIVISION, ZOND	RECOMMENDING APPROVAL: MICHAEL C. PALANCA, CE ENGINEER II ASSISTANT CITY ENGINEER, CE MARLI P. AGOSTA-DE FIESTA CHIEF ENGINEERING & CONSTRUCTION DEPARTMENT CHIEF - TECHNICAL SERVICES GROUP, ZOND	APPROVED FOR PROJECT IMPLEMENTATION: CHRISTOPHER Q. NAVARRO CITY ENGINEER, CE REYNALDO R. CABILIN ACTING GENERAL MANAGER, ZOND	PROJECT: MAINLINE REPLACEMENT PROGRAM (LGU FUNDED) PHASE 2 SHEET CONTENT: AS INDICATED	SHEET NO: 36	
	CITY OF ZAMBOANGA							



PLAN



FRONT ELEV.



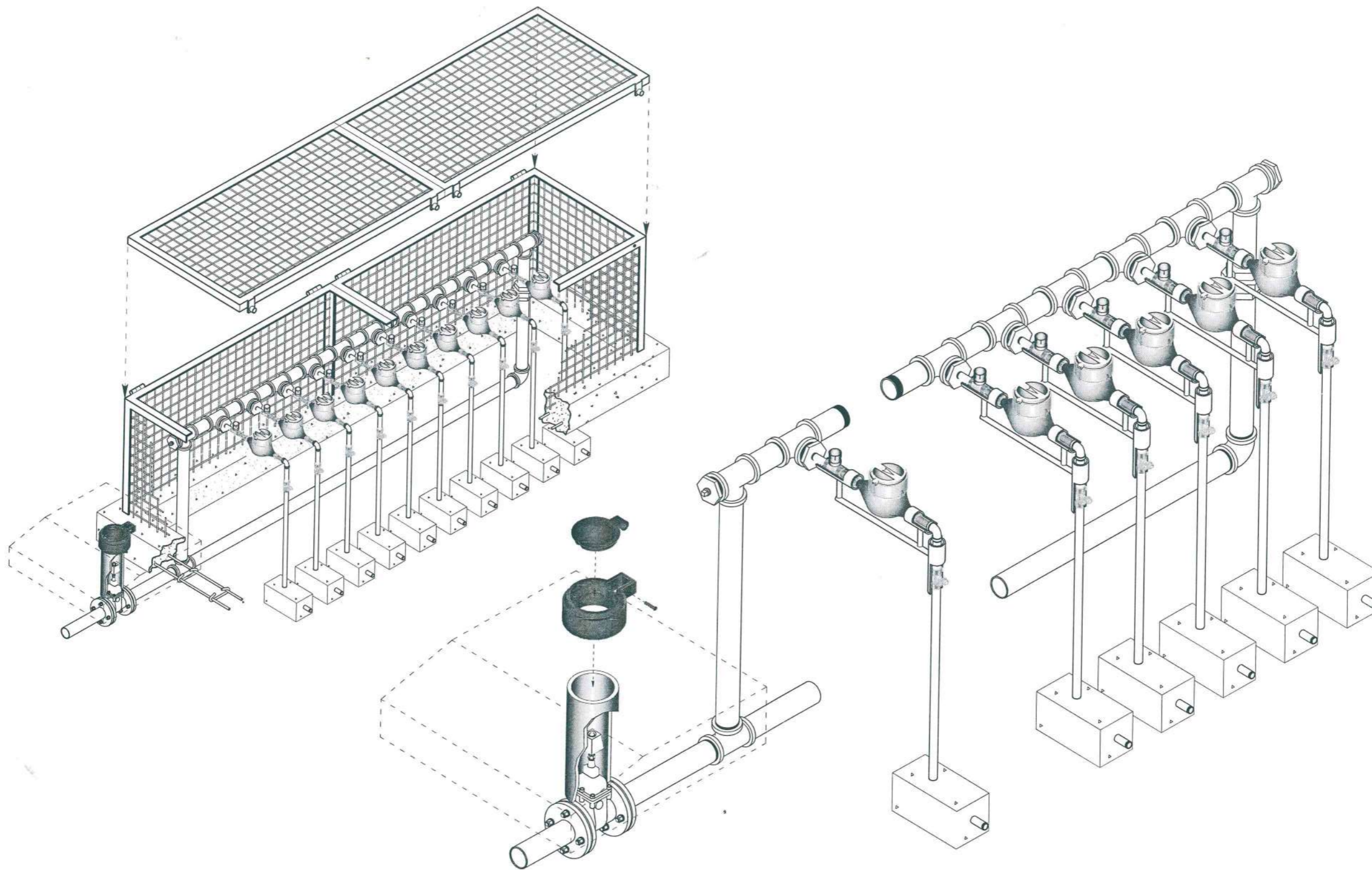
CROSS SECTION

SPECIFICATION:

- USE 6mm. thk. x 38mm. x 38mm. MS ANGLE BAR FOR THE ENCLOSURE FRAMING AND TOP DOORS
- USE # 4 x 50mm. x 50mm. MS MATTING FOR SHEETING, MUST BE SMOOTH FINISH AND PAINTED WITH ACRYLIC PAINT

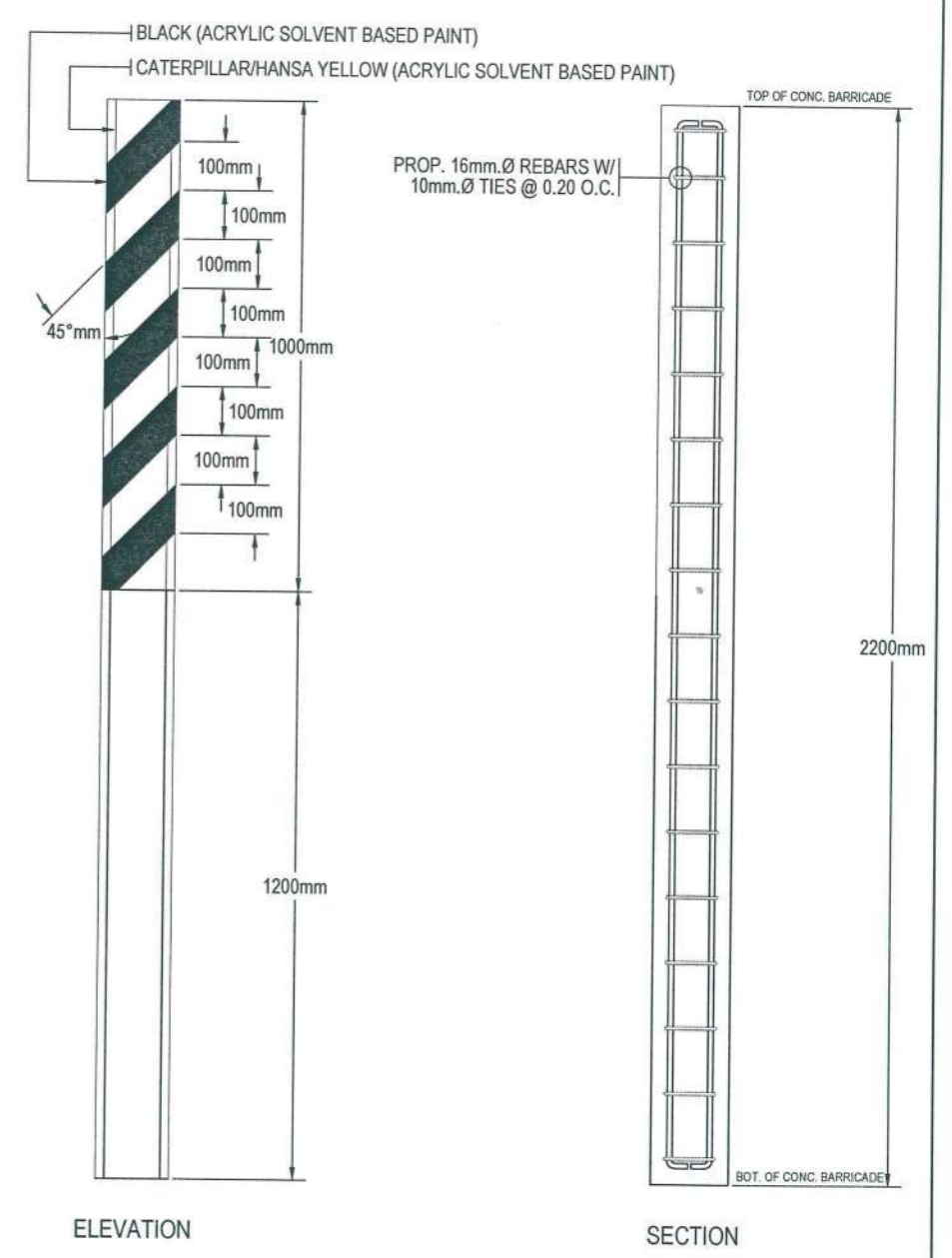
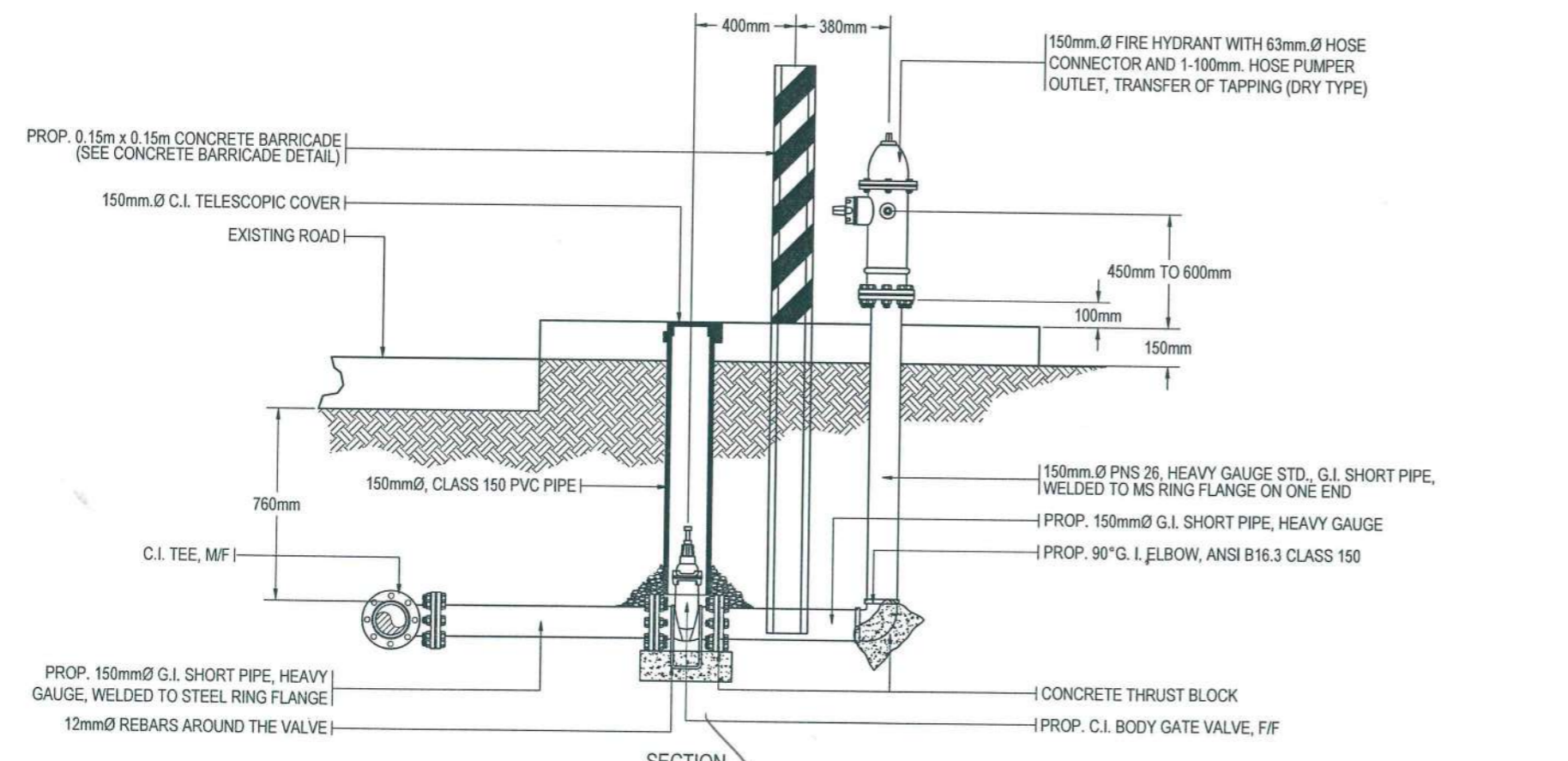
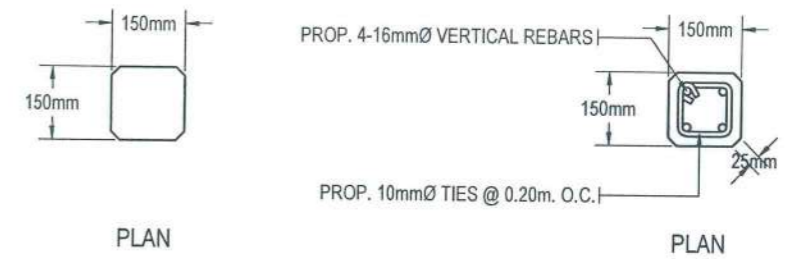
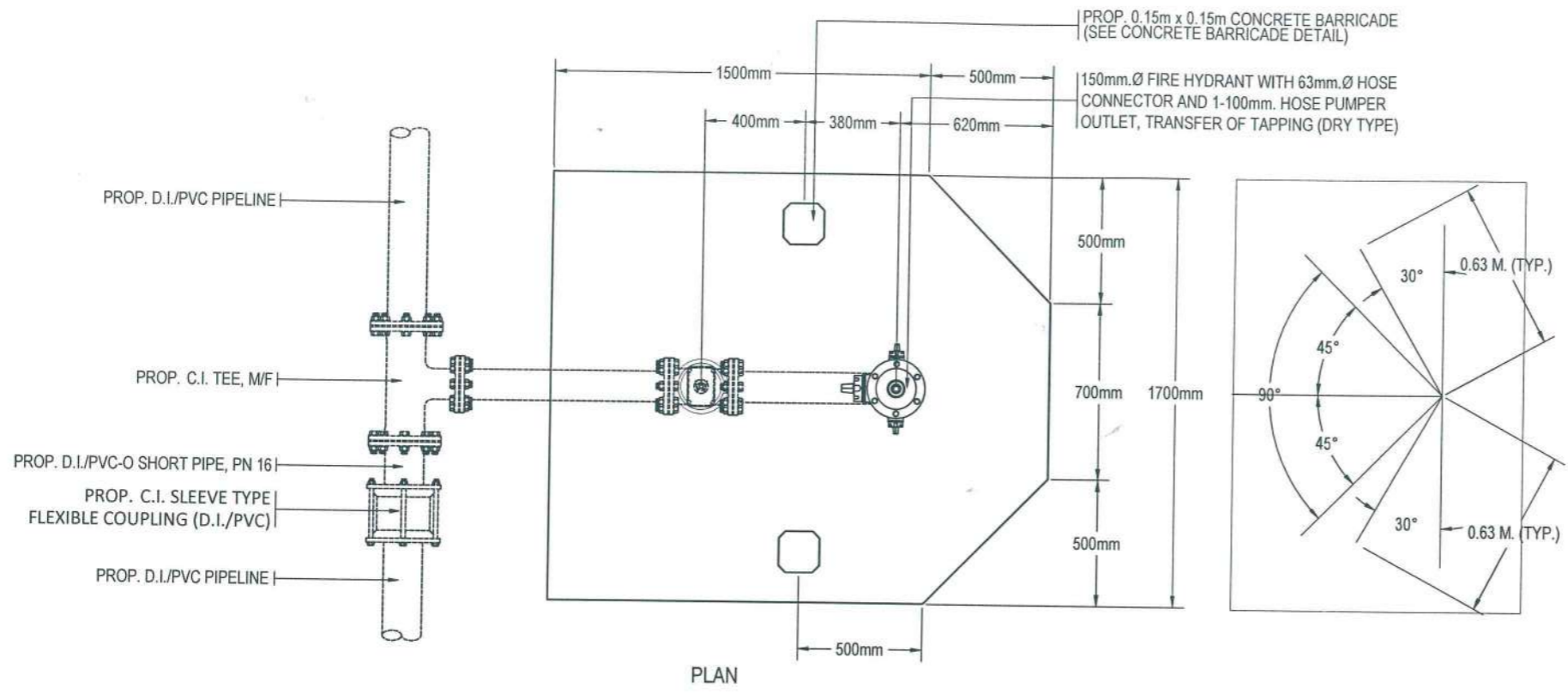
WATER METER CLUSTER PROTECTOR
SCALE: 1:20m

	PREPARED BY: BUNNY L. DAMPIOS SENIOR ENGINEER, A.C.E. DESIGN DIVISION	 LEONARD S. ALCALA, CE ENGINEER II, CEO	 MICHAEL A. FRANCISCO ENGINEER II, CEO OIC, CHIEF PLANNING, DESIGN AND CONSTRUCTION DIVISION, CEO	RECOMMENDING APPROVAL: MICHAEL Z. PALANCA, CE ENGINEER II OIC, ASSISTANT CITY ENGINEER, CEO	APPROVED FOR PROJECT IMPLEMENTATION: CHRISTOPHER O. NAVARRO CITY ENGINEER, CEO	PROJECT: MAINLINE REPLACEMENT PROGRAM (LGU FUNDED) PHASE 2	SHEET NO: 37
	 VERLIN ANN B. LACASTESANTOS-LORIA SENIOR ENGINEER, A.C.E. DESIGN DIVISION	 REX D. SALE, JR., CE SENIOR ENGINEER, A.C.E. DESIGN DIVISION, ZONED	 EDITO M. BAUTISTA, JR., CE OFFICER-IN-CHARGE DESIGN DIVISION, ZONED	 MARLI P. ACOSTA-DE FIESTA OMA - ENGINEERING & CONSTRUCTION DEPARTMENT OIC - TECHNICAL SERVICES GROUP, ZONED	 REYNALDO R. CABILIN ACTING GENERAL MANAGER, ZONED	SHEET CONTENT: AS INDICATED	



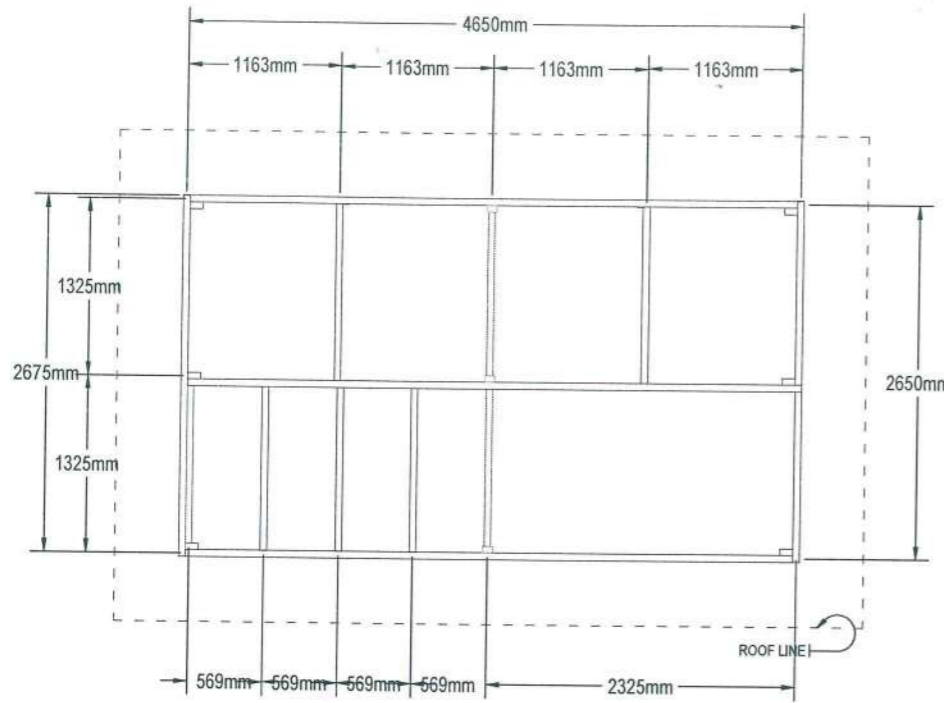
CLUSTER ISOMETRIC VIEW
SCALE: 1:18m

	PREPARED BY:  BUNNY L. DAMPIOS SENIOR ENGINEER A, CE DESIGN DIVISION	 LEONARD S. ALCALA, CE ENGINEER II, CEO	 MICHAEL A. FRANCISCO ENGINEER II, CEO OIC, CHIEF PLANNING, DESIGNING AND PROGRAMMING DIVISION, CEO	RECOMMENDING APPROVAL:  MICHAEL C. PALANCA, CE ENGINEER II, CEO OIC, ASSISTANT CITY ENGINEER, CEO	APPROVED FOR PROJECT IMPLEMENTATION:  CHRISTOPHER Q. NAVARRO CITY ENGINEER, CEO	PROJECT: MAINLINE REPLACEMENT PROGRAM (LGU FUNDED) PHASE 2	SHEET NO.: 38	
	VERLIN ANN B. LACASTASANTOS-LORIA SENIOR ENGINEER A, CE DESIGN DIVISION	 REX D. SALE JR., CE SENIOR ENGINEER A DESIGN DIVISION, ZCWD	 EDITO M. BAUTISTA JR., CE SENIOR ENGINEER A DESIGN DIVISION, ZCWD	 MARI P. ACOSTA-DE FIESTA OIC, ENGINEERING & CONSTRUCTION DEPARTMENT OIC, TECHNICAL SERVICES GROUP, ZCWD	 REYNALDO R. ROBABILIN 2023.06.26 11:51 ACTING GENERAL MANAGER, ZCWD	SHEET CONTENT: AS INDICATED		

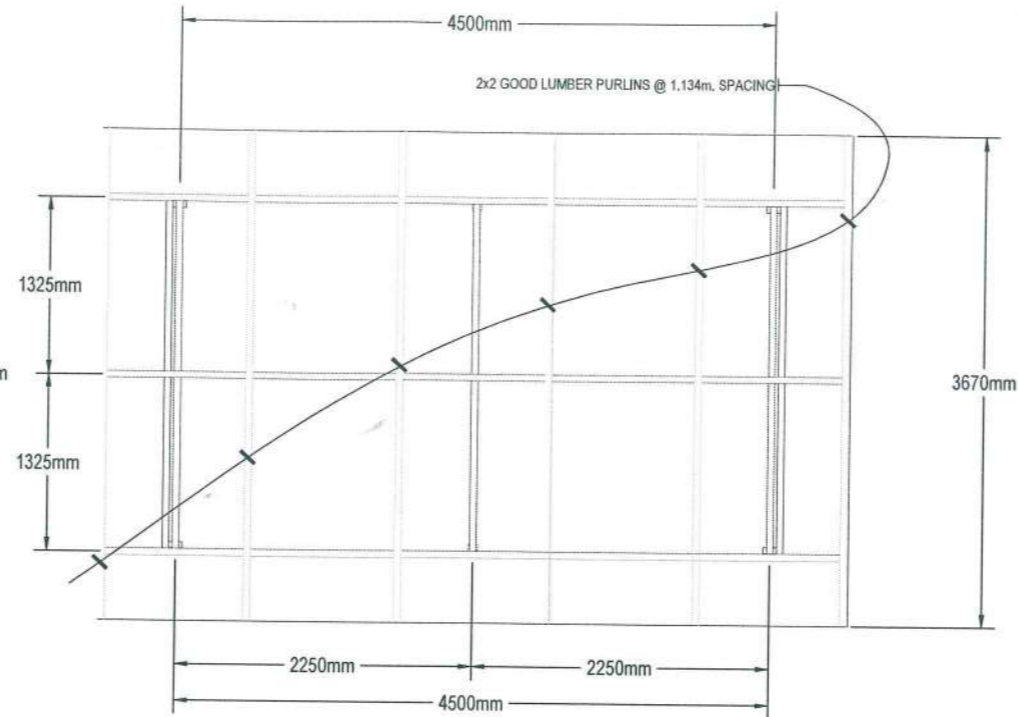


TYPICAL DETAIL OF STAND PIPE HYDRANT
SCALE: 1/25 M.

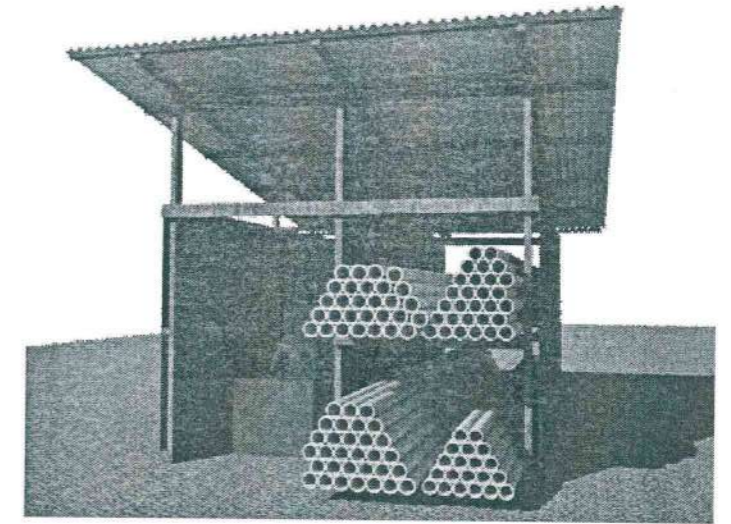
DETAIL OF CONCRETE BARRICADE
SCALE: 1:15m



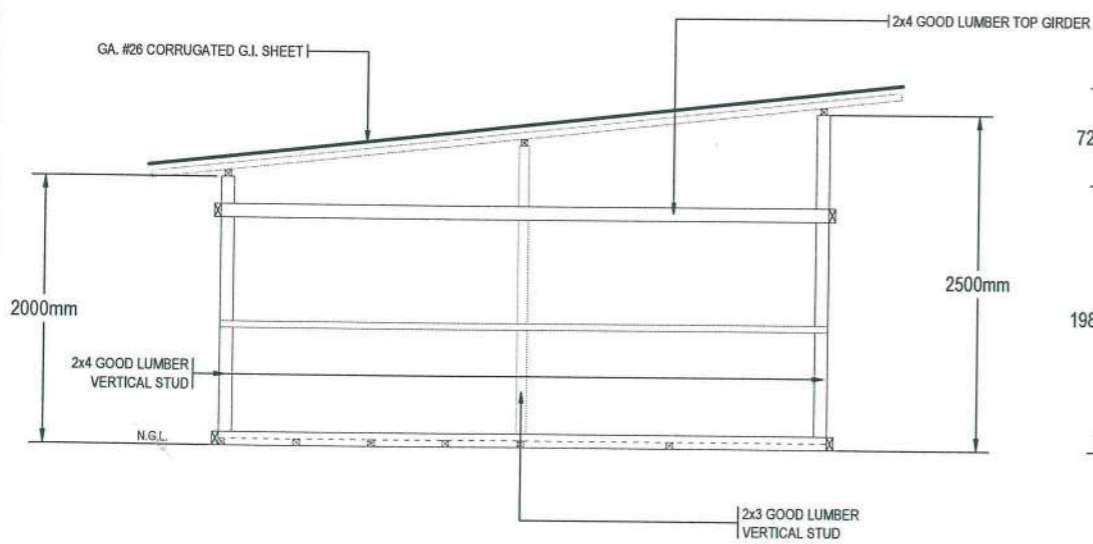
PLAN
SCALE: 1:55m



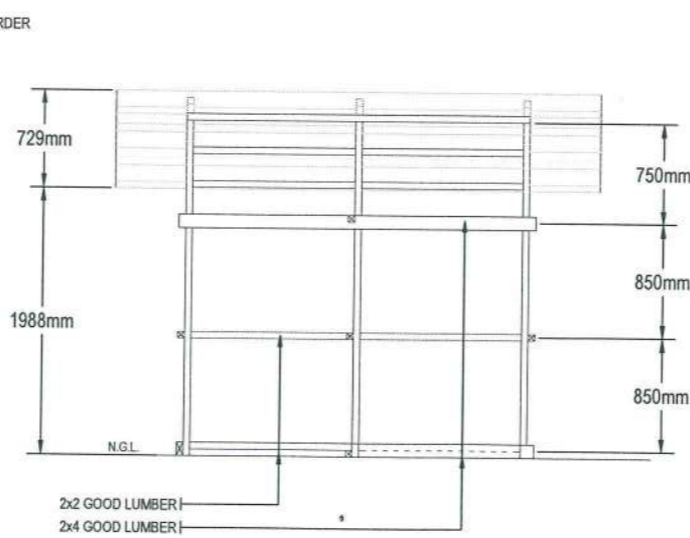
ROOF FRAMING PLAN
SCALE: 1:55m



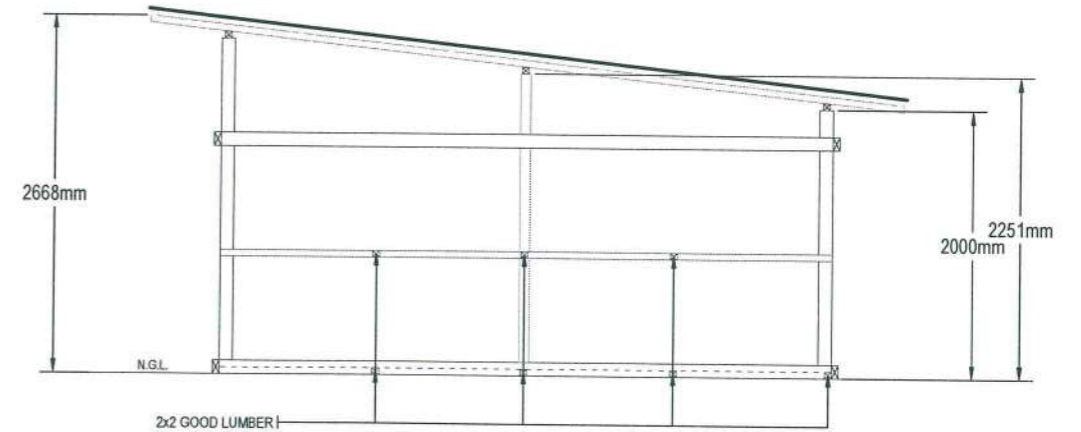
PERSPECTIVE



LEFT SIDE VIEW
SCALE: 1:55m



FRONT VIEW
SCALE: 1:55m



RIGHT SIDE VIEW
SCALE: 1:55m

TEMPORARY FACILITY
SCALE: 1:55m



PREPARED BY:

BUNNY L. DAMING
SENIOR ENGINEER IN CHARGE
DESIGN DIVISION

VERLIN ANN B. LACASTESANTOS-LORIA
SENIOR ENGINEER IN CHARGE
DESIGN DIVISION

LEONARD S. ALCALA, CE
ENGINEER II, CEO

REX D. SALE JR., CE
REGISTERED ENGINEER
DESIGN DIVISION, ZCWD

MICHAEL A. FRANCISCO
ENGINEER III, CEO
OIC, CHIEF PLANNING, DESIGNING AND PROGRAMMING DIVISION, CEO

EDITO M. BALTISTA JR., CE
OFFICER IN CHARGE
DESIGN DIVISION, ZCWD

RECOMMENDING APPROVAL:

MICHAEL C. PALANCA, CE
ENGINEER III
OIC-ASSISTANT CITY ENGINEER, CEO

MARU P. ACOSTA-DE FIESTA
DVA, ENGINEERING & CONSTRUCTION DEPARTMENT
OIC, TECHNICAL SERVICES GROUP, ZCWD

APPROVED FOR PROJECT IMPLEMENTATION:

CHRISTOPHER O. NAVARRO
CITY ENGINEER
REGISTERED PROFESSIONAL ENGINEER
2012-06-04-11:32

REYNALDO R. CABILIN
ACTING GENERAL MANAGER, ZCWD

PROJECT:
**MAINLINE REPLACEMENT PROGRAM
(LGU FUNDED) PHASE 2**

SHEET CONTENT:
AS INDICATED

SHEET NO:

40

