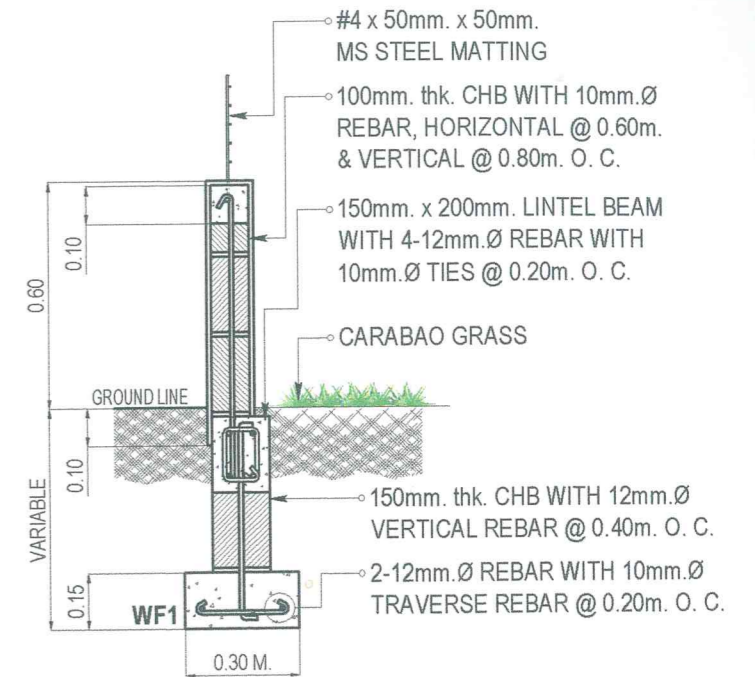


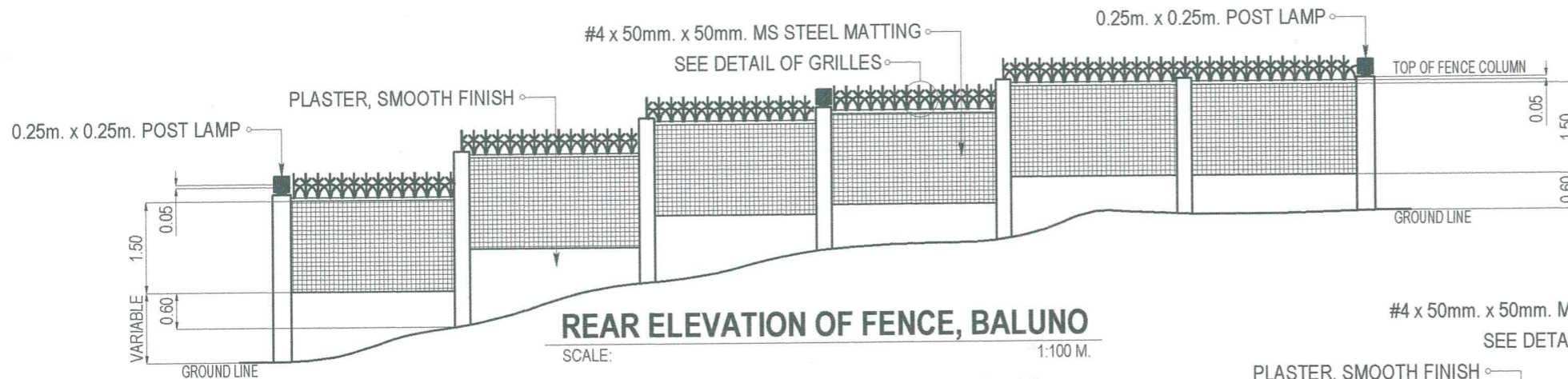
FRONT ELEVATION OF FENCE, BALUNO

SCALE: 1:100 M.



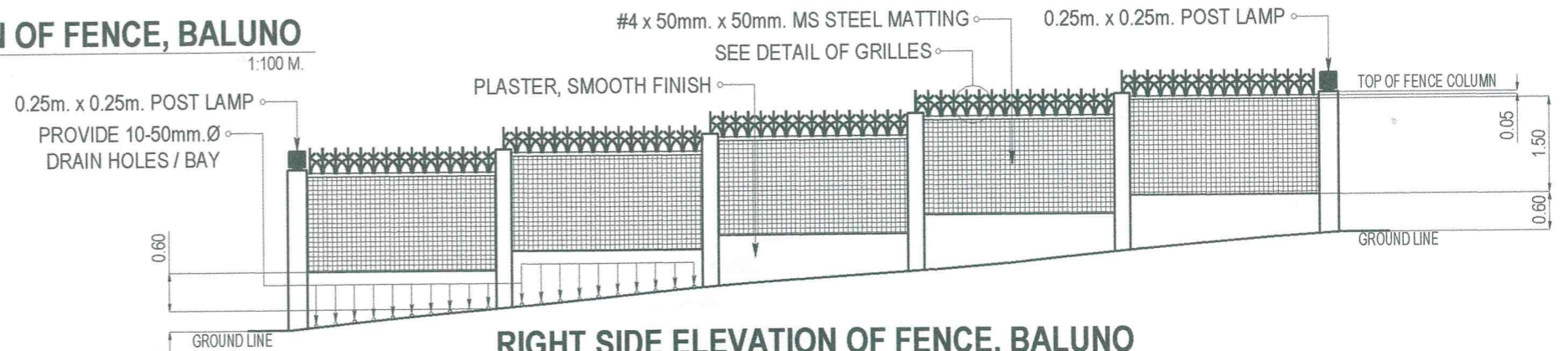
DETAIL OF WALL FOOTING

SCALE: 1:20 M.



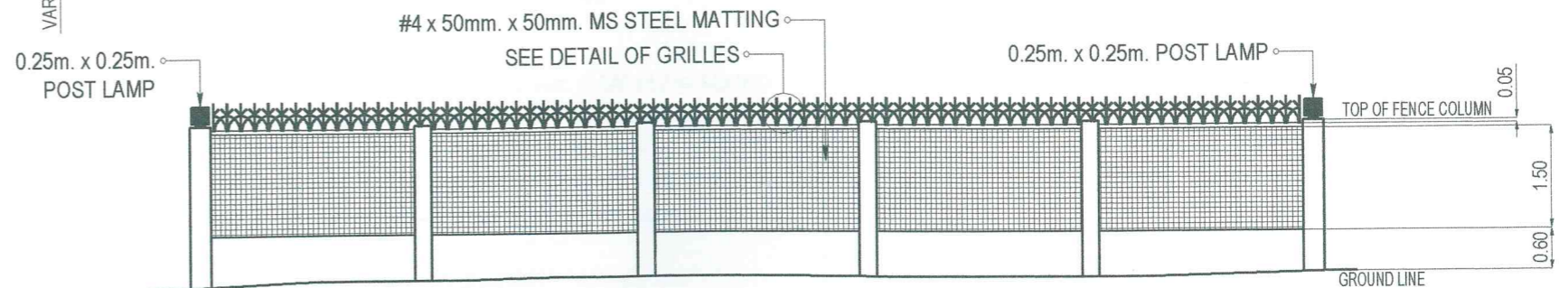
REAR ELEVATION OF FENCE, BALUNO

SCALE: 1:100 M.



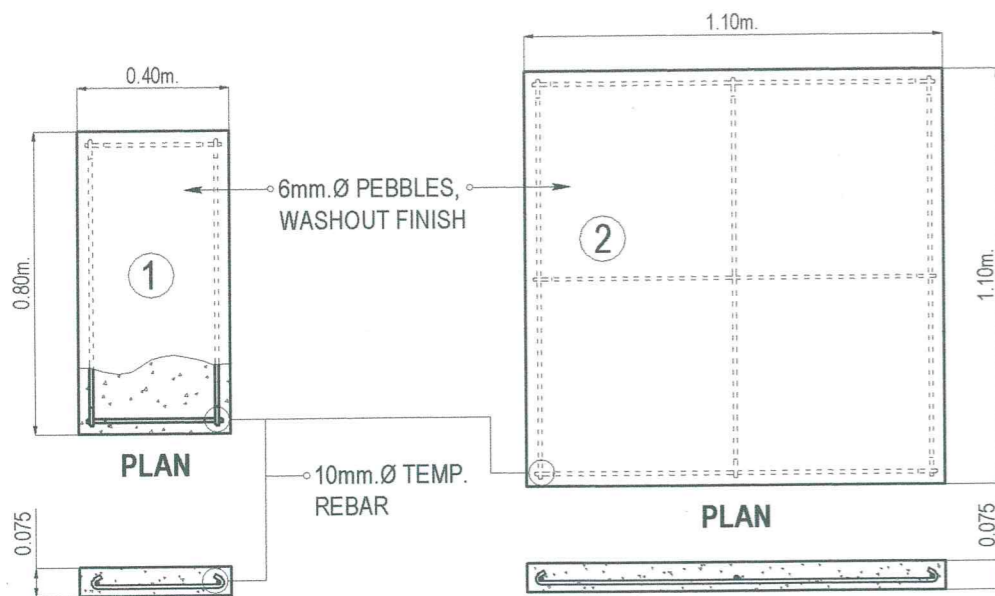
RIGHT SIDE ELEVATION OF FENCE, BALUNO

SCALE: 1:100 M.



LEFT SIDE ELEVATION OF FENCE, BALUNO

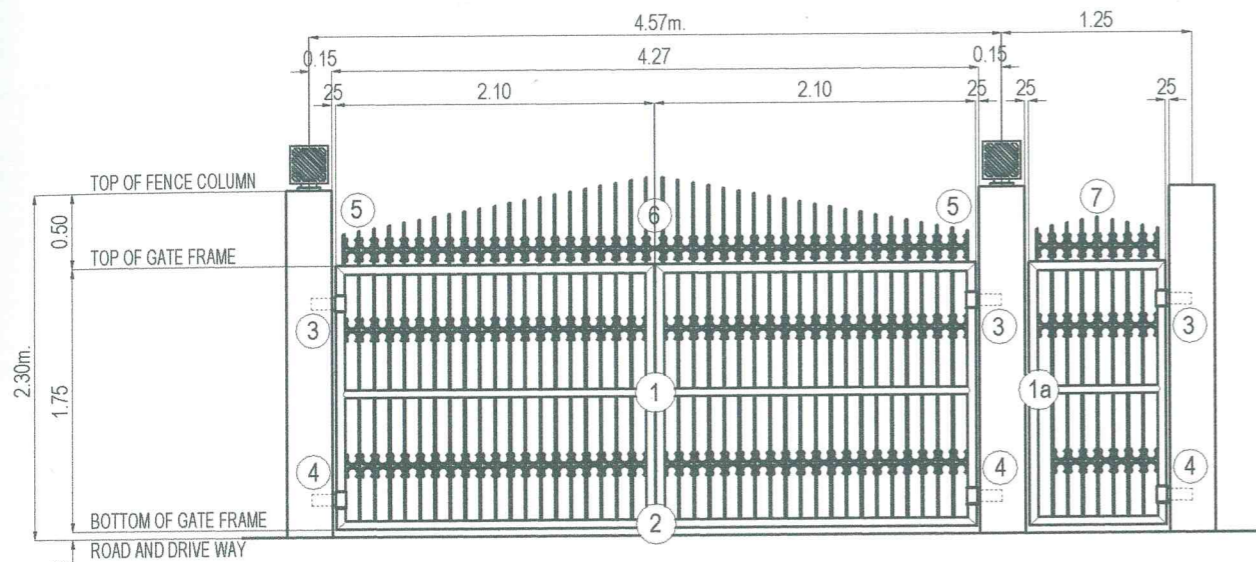
SCALE: 1:100 M.



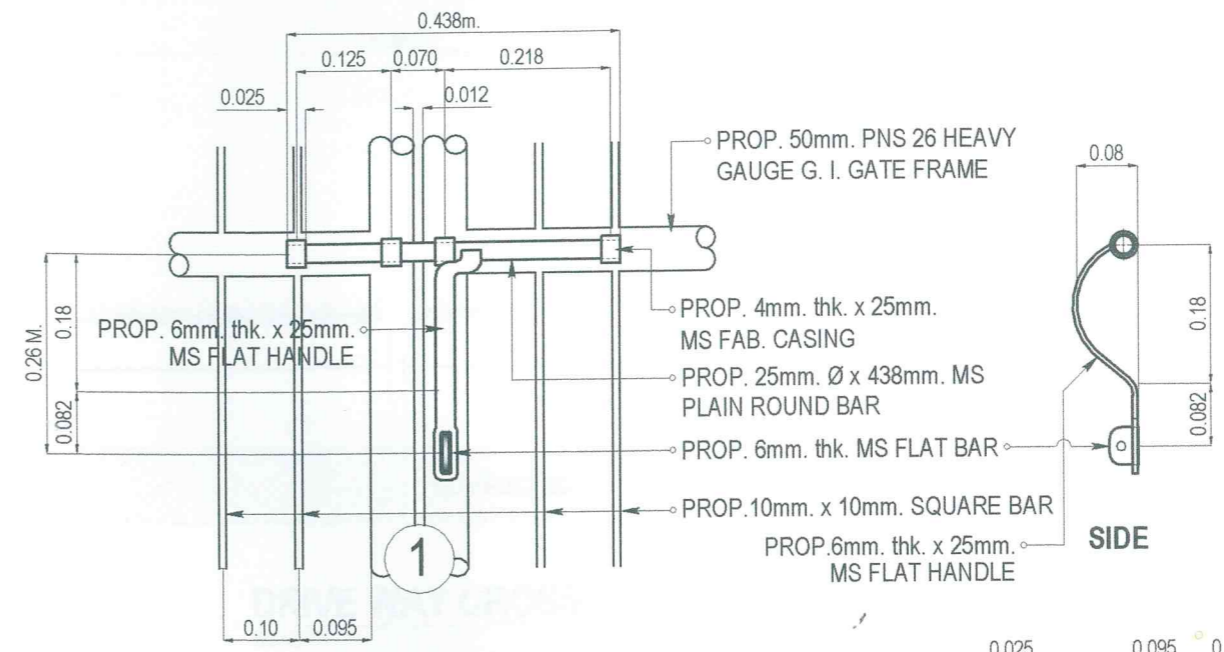
DETAIL OF CONCRETE FABER

SCALE: 1:20 M.

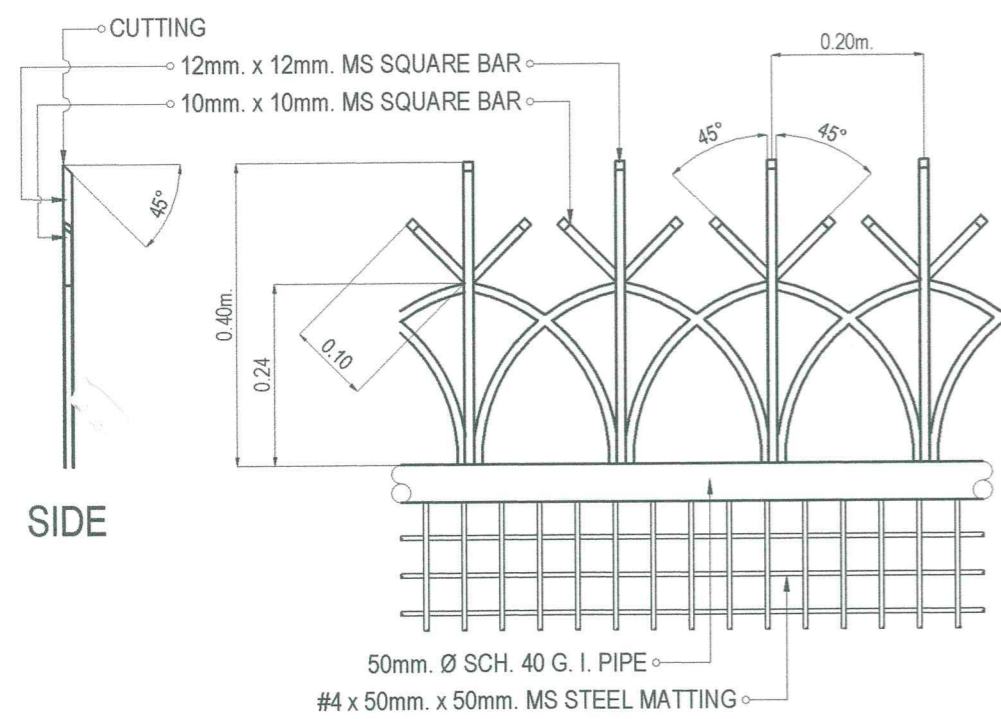
REV.	DATE	BY	DESCRIPTION	PROJECT:	DRAWN BY:	PREPARED BY:	REVIEWED BY:	SUBMITTED BY:	RECOMMENDING PROJECT IMPLEMENTATION:	APPROVED FOR PROJECT IMPLEMENTATION:	SHEET NO.
				PROPOSED 300 CU. M. REINFORCED CONCRETE GROUND TANKS AT BALUNO & BANDERA-DULIAN FOR DUMALON WATER SYSTEM	ARTHUR A. REYES PRINCIPAL DRAFTSMAN - DESIGN DIVISION	BUNNY L. DAMPIOS SENIOR ENGINEER A - DESIGN DIVISION	REX D. SALE, JR. SUPERVISING ENGINEER A - DESIGN DIVISION	EDITO M. BAUTISTA, JR. OIC - DESIGN DIVISION	MARLI ACOSTA - DE FIESTA AGM TECHNICAL SERVICES GROUP	REYNALDO R. CABILAN GENERAL MANAGER	31
				SHEET CONTENT:	AS INDICATED						



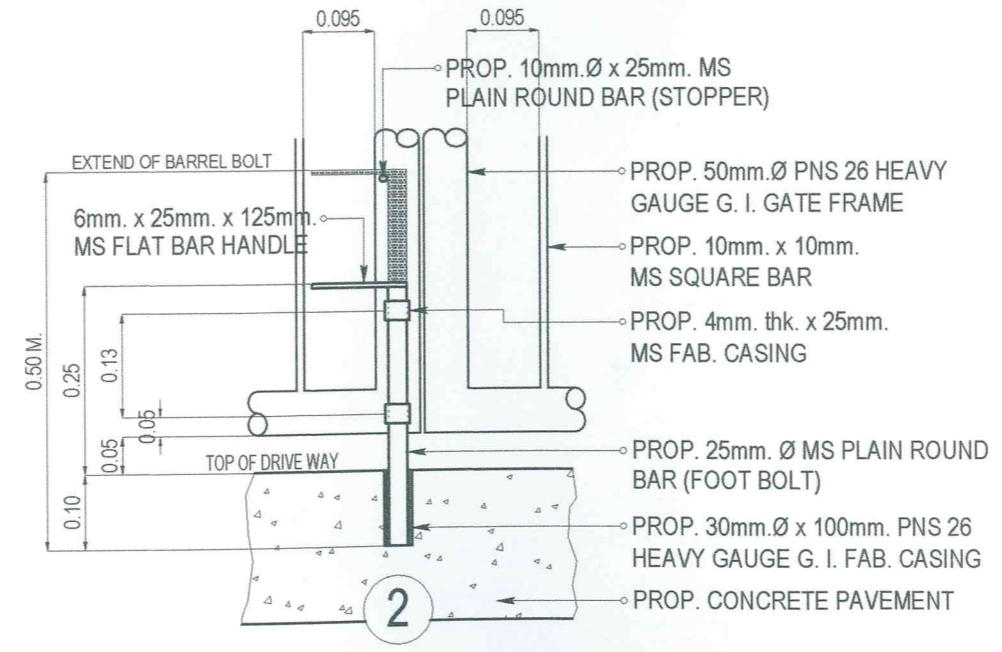
DETAIL OF STEEL GATE
SCALE: 1:50 M.



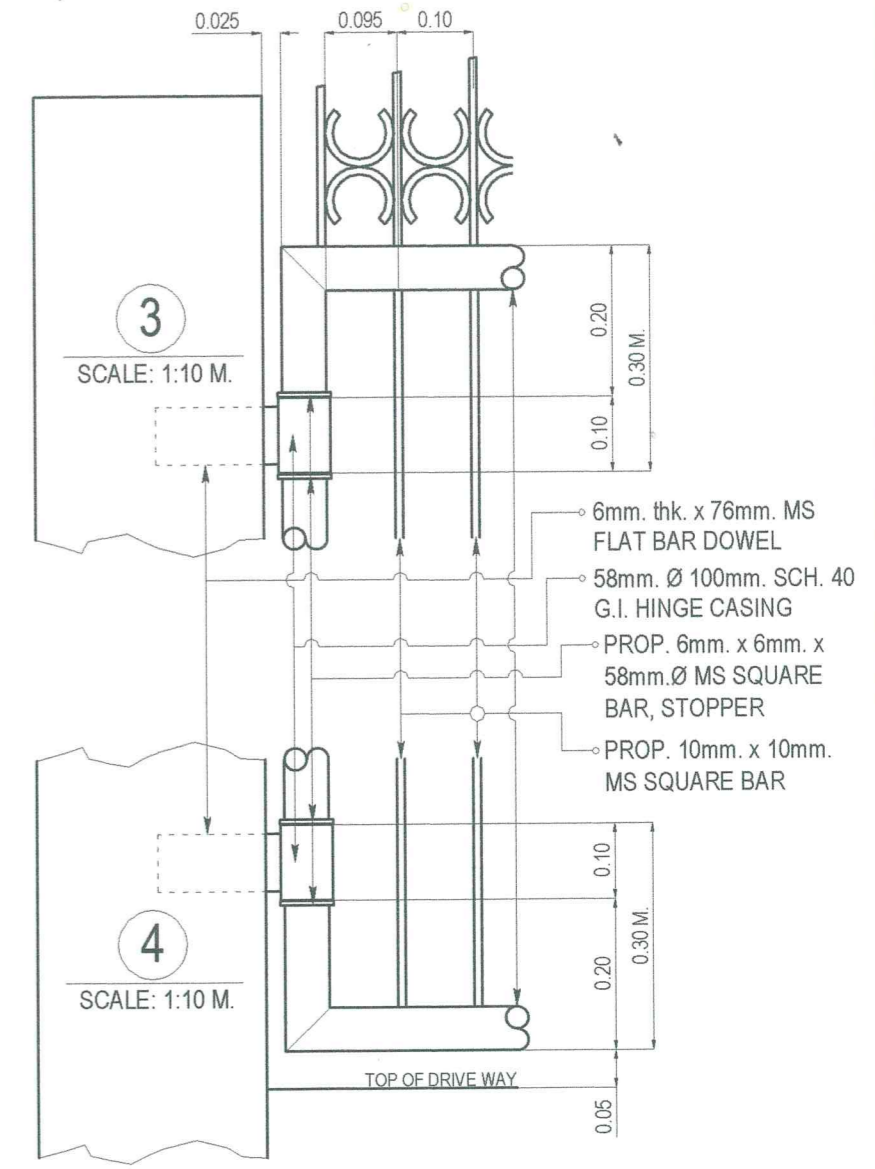
DETAIL OF STEEL GATE BARREL BOLT
SCALE: 1:10 M.



STEEL GRILLES DETAIL
SCALE: 1:10 M.



DETAIL OF STEEL GATE FOOT BOLT
SCALE: 1:10 M.



REVISIONS				PROJECT:	DRAWN BY:	PREPARED BY:	REVIEWED BY:	SUBMITTED BY:	RECOMMENDING PROJECT IMPLEMENTATION:	APPROVED FOR PROJECT IMPLEMENTATION:	SHEET NO.
REV.	DATE	BY	DESCRIPTION								
				PROPOSED 300 CU. M. REINFORCED CONCRETE GROUND TANKS AT BALUNO & BANDERA-DULIAN FOR DUMALON WATER SYSTEM	ARTHUR A. REYES PRINCIPAL DRAFTSMAN - DESIGN DIVISION	BUNNY L. DAMPIOS SENIOR ENGINEER A - DESIGN DIVISION	REX D. SALE, JR. SUPERVISING ENGINEER A - DESIGN DIVISION	EDITO M. BAUTISTA, JR. OIC - DESIGN DIVISION	MARLI ACOSTA - DE FIESTA AGM - TECHNICAL SERVICES GROUP	REYNALDO R. CABILN GENERAL MANAGER	32
SHEET CONTENT:				AS INDICATED							