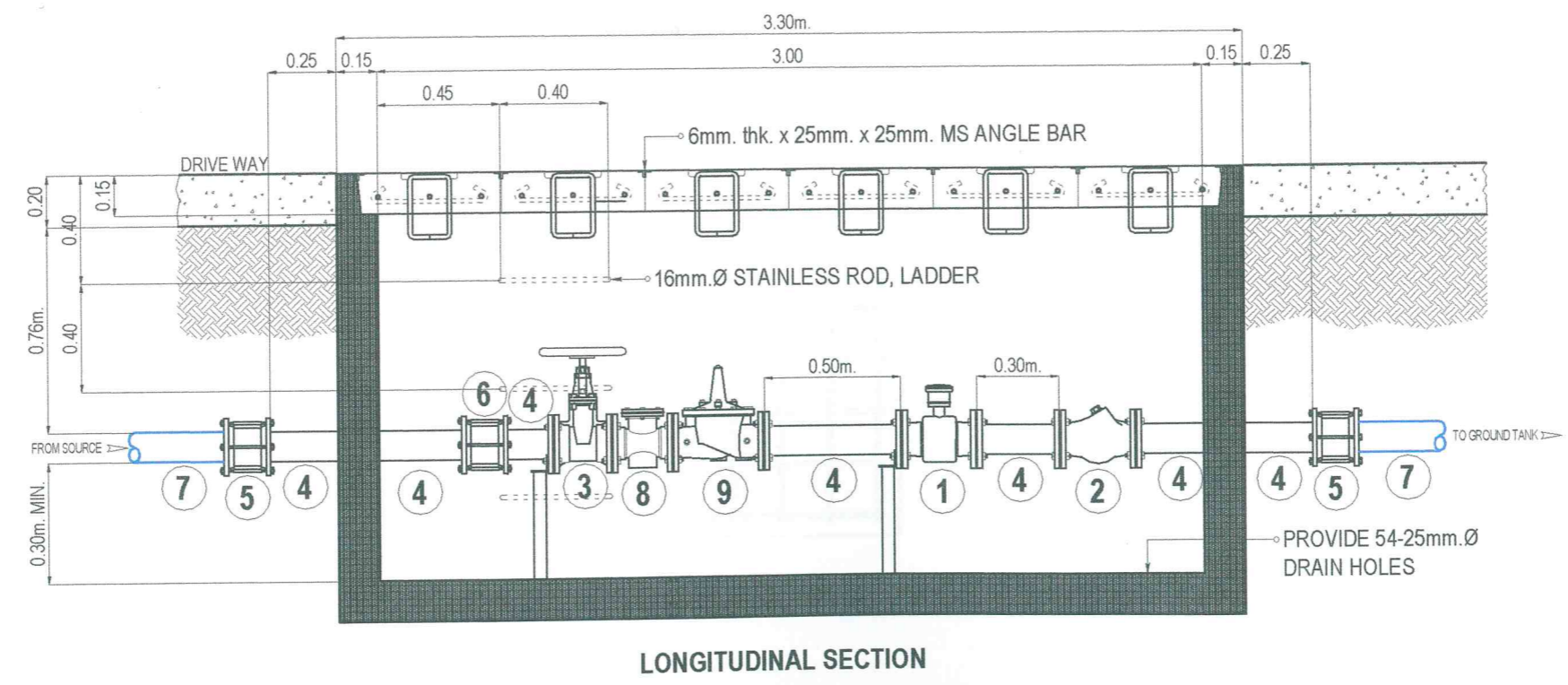


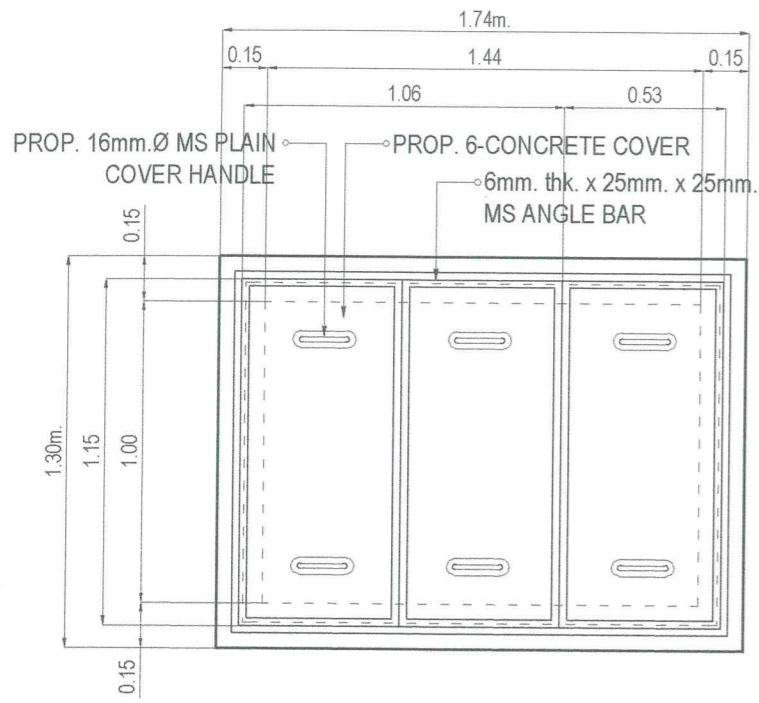
LEGEND:

- ① 100mm.Ø MECHANICAL FLOW METER, F/F
- ② 100mm.Ø C. I. CHECK VALVE, F/F
- ③ 100mm.Ø C. I. BODY GATE VALVE, F/F
- ④ 100mm.Ø PNS 26 HEAVY GAUGE G. I. SHORT PIPE
- ⑤ 100mm.Ø C. I. SLEEVE TYPE FLEXIBLE COUPLING, (GI-PVC)
- ⑥ 100mm.Ø C. I. SLEEVE TYPE FLEXIBLE COUPLING, (GI)
- ⑦ 100mm.Ø CLASS 150 PVC PIPELINE
- ⑧ 100mm.Ø C. I. BASKET STRAINER, F/F
- ⑨ 100mm.Ø PRESSURE REDUCING VALVE, F/F

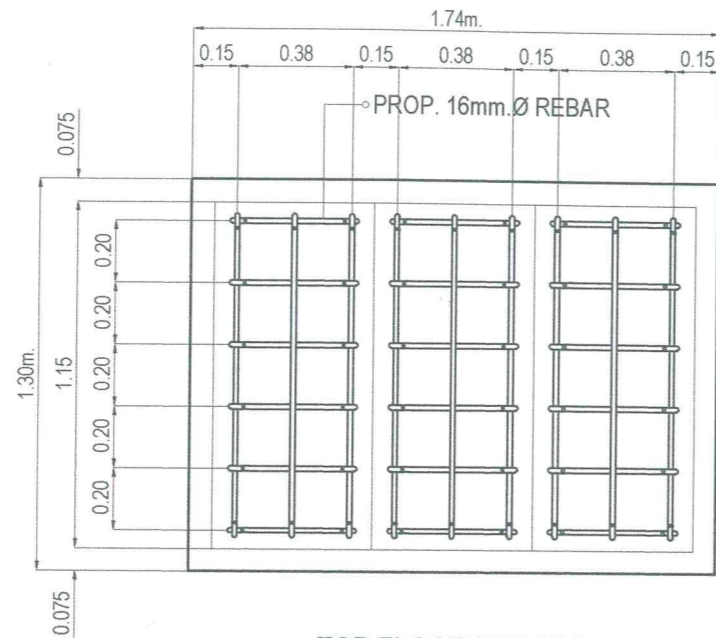


PROPOSED 100mm.Ø MECHANICAL FLOW METER WITH REED SWITCH WITH 100mmØ BASKET STRAINER AND 100mmØ C.I. CHECK VALVE
 SCALE: 1:250M.

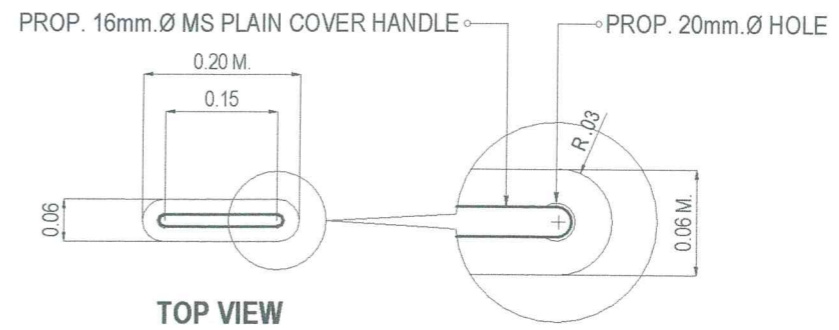
REVISIONS				PROJECT:	DRAWN BY:	PREPARED BY:	REVIEWED BY:	SUBMITTED BY:	RECOMMENDING PROJECT IMPLEMENTATION:	APPROVED FOR PROJECT IMPLEMENTATION:	SHEET NO.
REV.	DATE	BY	DESCRIPTION								
				PROPOSED 300 CU. M. REINFORCED CONCRETE GROUND TANKS AT BALUNO & BANDERA-DULIAN FOR DUMALON WATER SYSTEM	ARTHUR A. REYES PRINCIPAL DRAFTSMAN - DESIGN DIVISION	BUNNY L. DAMPIOS SENIOR ENGINEER A - DESIGN DIVISION	[Signature] REX D. SALE, JR. SUPERVISING ENGINEER A - DESIGN DIVISION	[Signature] EDITO M. BAUTISTA, JR. OIC - DESIGN DIVISION	[Signature] MARLI ACOSTA DE FIESTA AGENCY TECHNICAL SERVICES GROUP	[Signature] REYNALDO R. CABILN GENERAL MANAGER	37



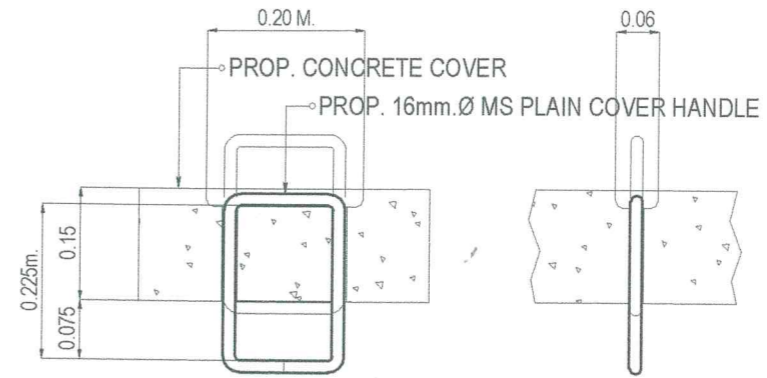
TOP FLOOR PLAN



TOP FLOOR REBARS



TOP VIEW

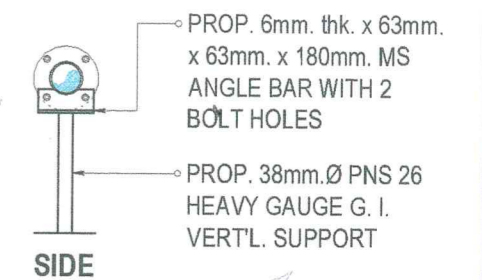


FRONT VIEW

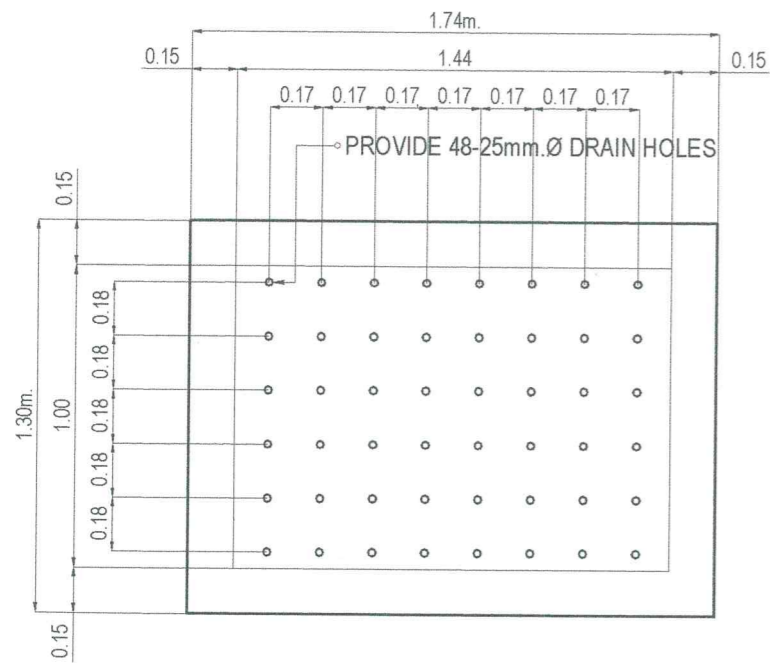
SIDE VIEW

DETAIL OF COVER HANDLE

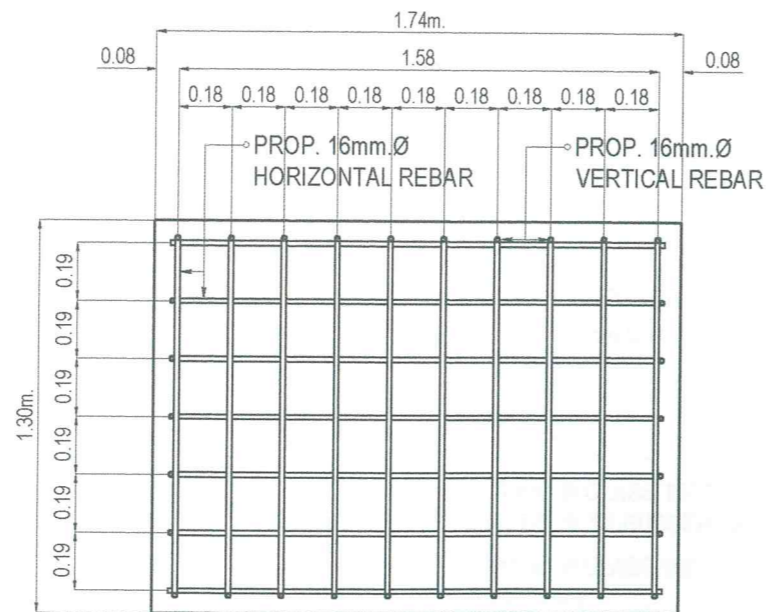
SCALE: 1:10M.



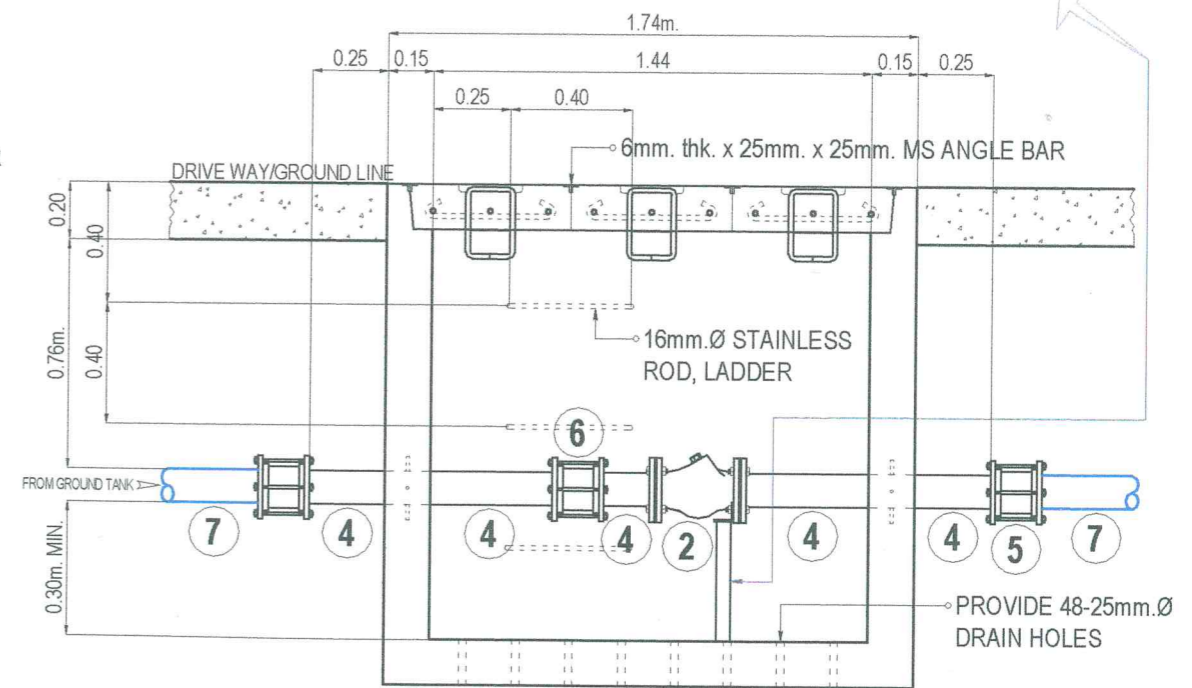
SIDE



BOTTOM FLOOR PLAN



BOTTOM FLOOR REBARS



LONGITUDINAL SECTION

PROPOSED 1.3m. X 3.30m. CONCRETE VALVE BOX COVER FOR FLOW METER

SCALE: 1:250M.

PROPOSED 1.3m. X 1.74m. CONCRETE VALVE BOX COVER FOR CHECK VALVE

SCALE: 1:250 M.

REVISIONS				PROJECT:	DRAWN BY:	PREPARED BY:	REVIEWED BY:	SUBMITTED BY:	RECOMMENDING PROJECT IMPLEMENTATION:	APPROVED FOR PROJECT IMPLEMENTATION:	SHEET NO.
REV.	DATE	BY	DESCRIPTION	PROPOSED 300 CU. M. REINFORCED CONCRETE GROUND TANKS AT BALUNO & BANDERA-DULIAN FOR DUMALON WATER SYSTEM	ARTHUR A. REYES PRINCIPAL DRAFTSMAN - DESIGN DIVISION	BUNNY L. DAMPIOS SENIOR ENGINEER A - DESIGN DIVISION	REX D. SALE, JR. SUPERVISING ENGINEER A - DESIGN DIVISION	EDITO M. BAUTISTA, JR. OIC - DESIGN DIVISION	MARLI ACOSTA-DE FIESTA AGM - TECHNICAL SERVICES GROUP	REYNALDO R. CABILAN GENERAL MANAGER	38