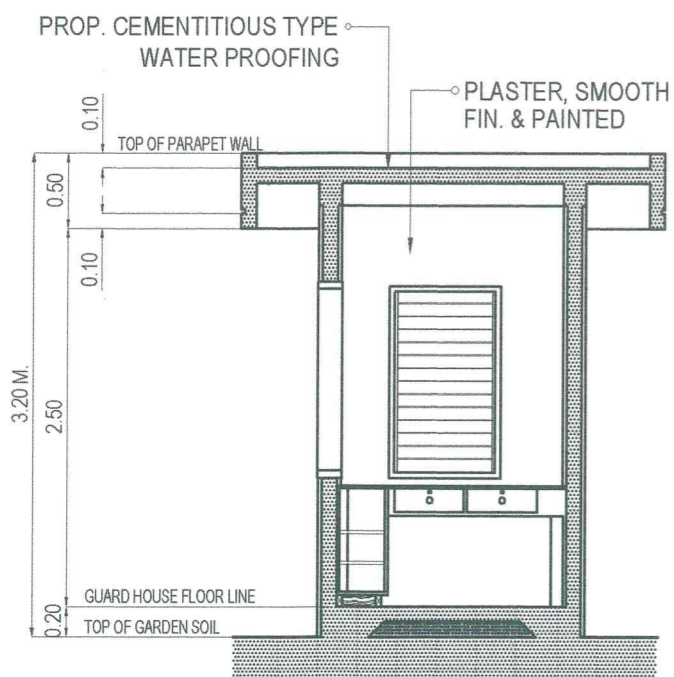
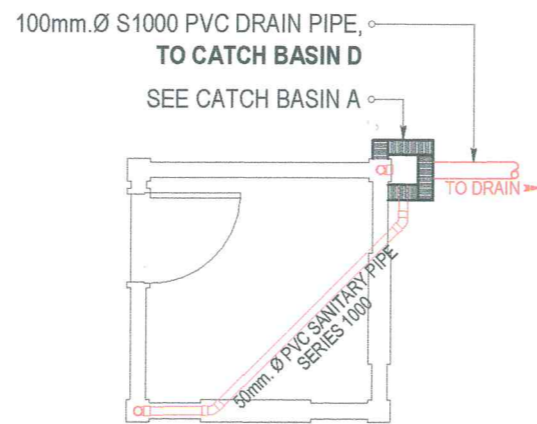


**SECTION THRU A**  
SCALE: 1:50 M.



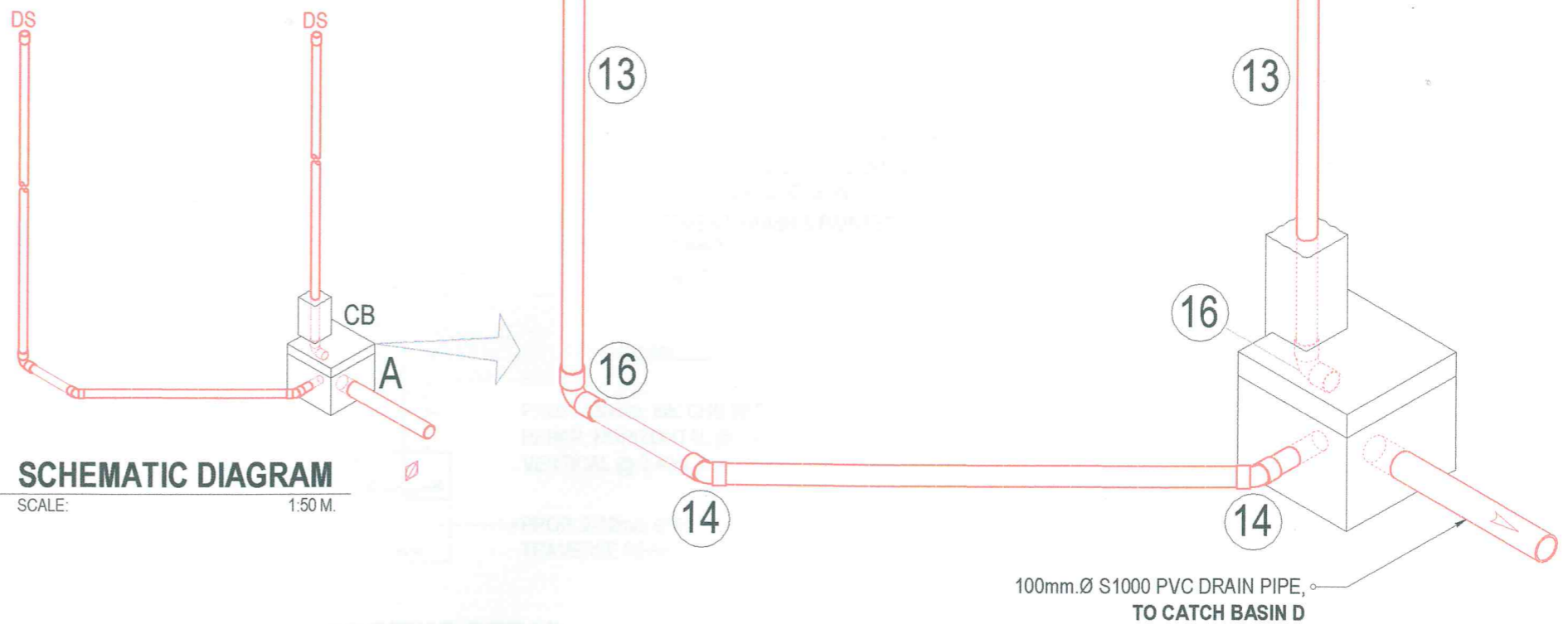
**SECTION THRU B**  
SCALE: 1:50 M.



**STORM DRAINAGE SYSTEM**  
SCALE: 1:50 M.

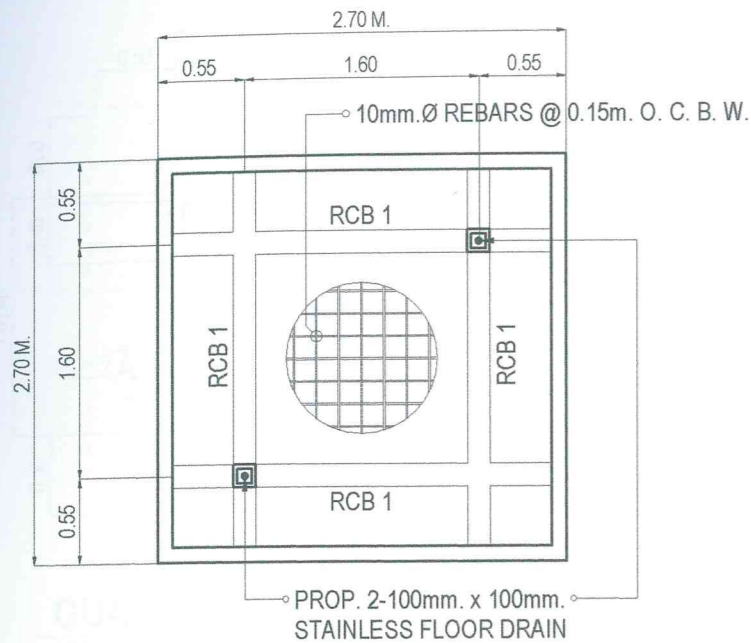
**LEGEND:**

- ⑬ 19mm.Ø x 12mm.Ø ANSI B16-3 G. I. BELL REDUCER
- ⑭ 19mm.Ø BRASS SINGLE ADAPTOR, PACK JOINT/CLAMP TYPE
- ⑮ 150mm. Ø SERIES 1000, PVC PIPE
- ⑯ 75mm.Ø SERIES 1000, PVC ELBOW
- CB CATCH BASIN
- DS DOWN SPOUT

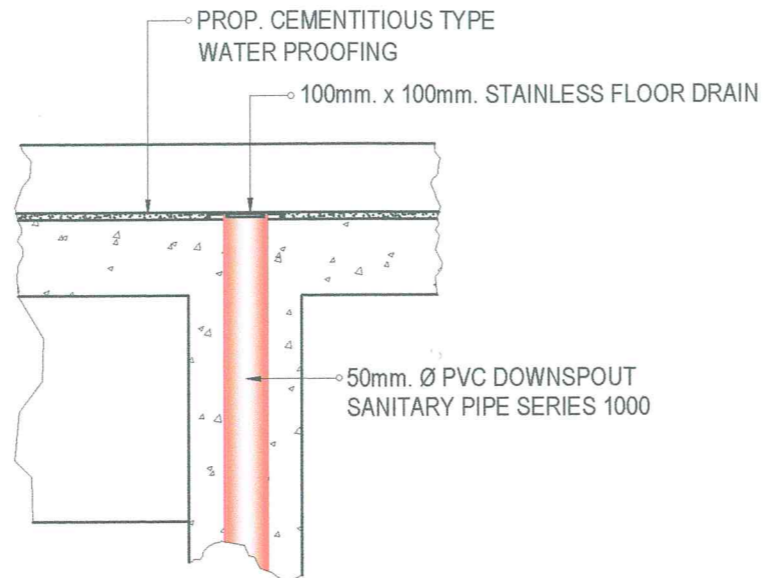


**SCHEMATIC DIAGRAM**  
SCALE: 1:50 M.

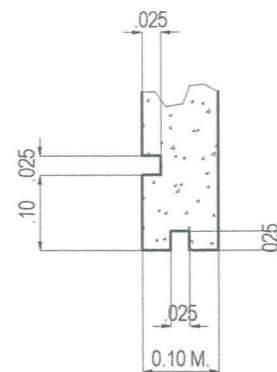
	<b>REVISIONS</b> REV. DATE BY DESCRIPTION				<b>PROJECT:</b> PROPOSED 300 CU. M. REINFORCED CONCRETE GROUND TANKS AT BALUNO & BANDERA-DULIAN FOR DUMALON WATER SYSTEM	<b>DRAWN BY:</b>  ARTHUR A. REYES PRINCIPAL DRAFTSMAN - DESIGN DIVISION	<b>PREPARED BY:</b>  BUNNY L. DAMPIOS SENIOR ENGINEER A - DESIGN DIVISION	<b>REVIEWED BY:</b>  REX D. SALE, JR. SUPERVISING ENGINEER A - DESIGN DIVISION	<b>SUBMITTED BY:</b>  EDITO M. BAUTISTA, JR. OIC - DESIGN DIVISION	<b>RECOMMENDING PROJECT IMPLEMENTATION:</b>  MARLI ACOSTA - DE FIESTA AGM - TECHNICAL SERVICES GROUP	<b>APPROVED FOR PROJECT IMPLEMENTATION:</b>  REYNALDO R. CABILAN GENERAL MANAGER	<b>SHEET NO.</b> 41
	<b>SHEET CONTENT:</b> AS INDICATED											



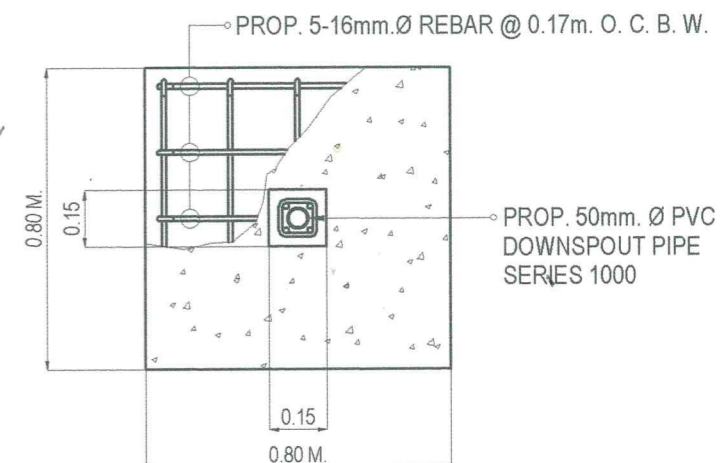
**ROOF FRAMING PLAN**  
SCALE: 1:50 M.



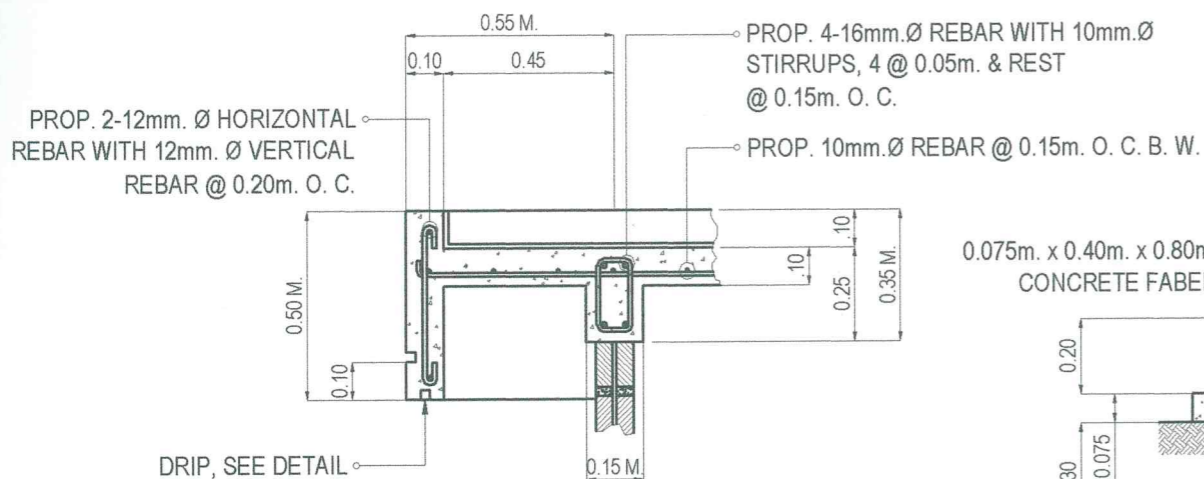
**DOWNSPOUT DETAIL**  
SCALE: 1:10 M.



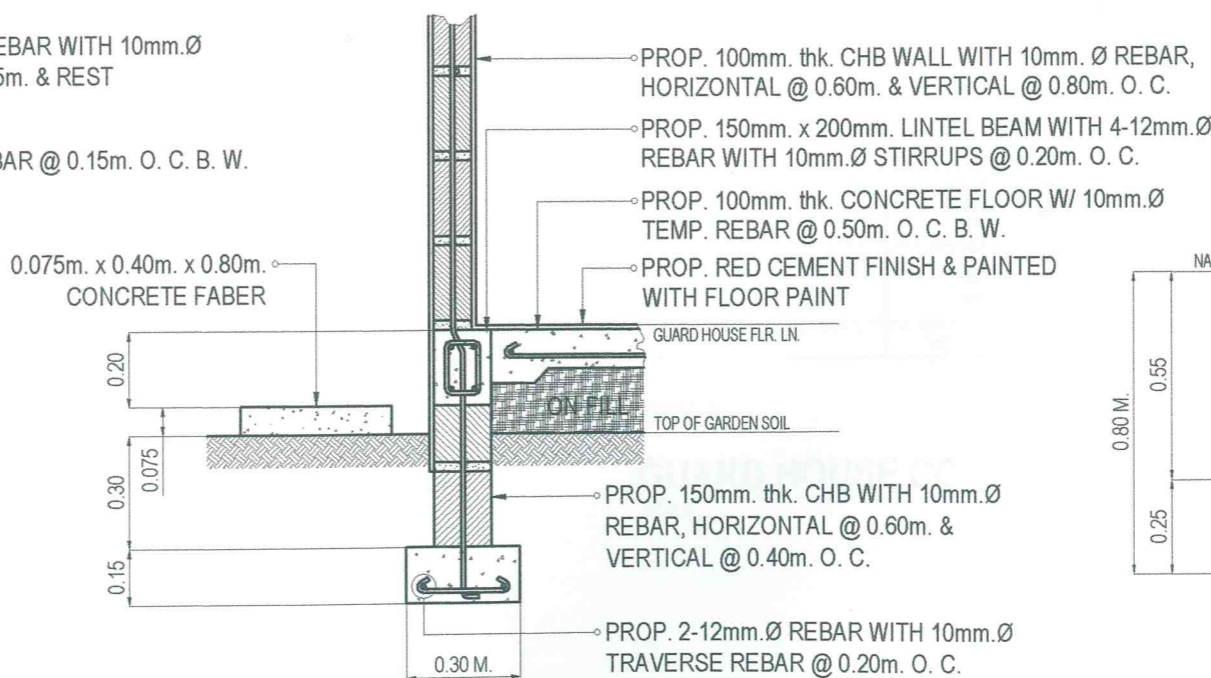
**DRIP DETAIL**  
SCALE: 1:10 M.



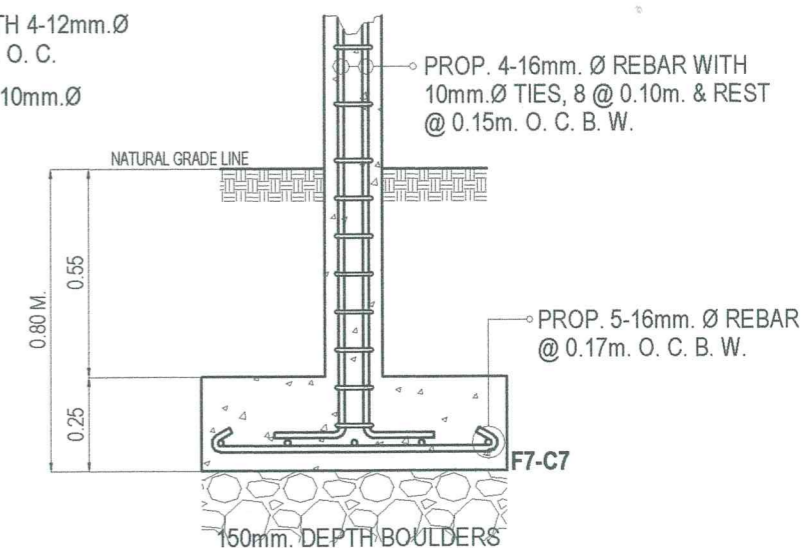
**PLAN**



**OVERHANG WALL DETAIL**  
SCALE: 1:50 M.

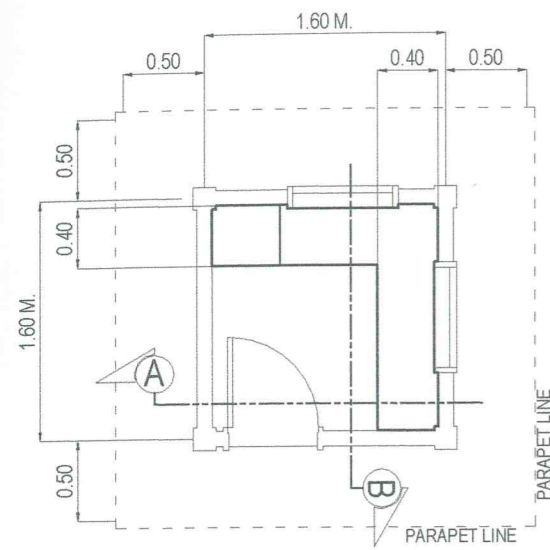


**WALL FOOTING DETAIL**  
SCALE: 1:20 M.



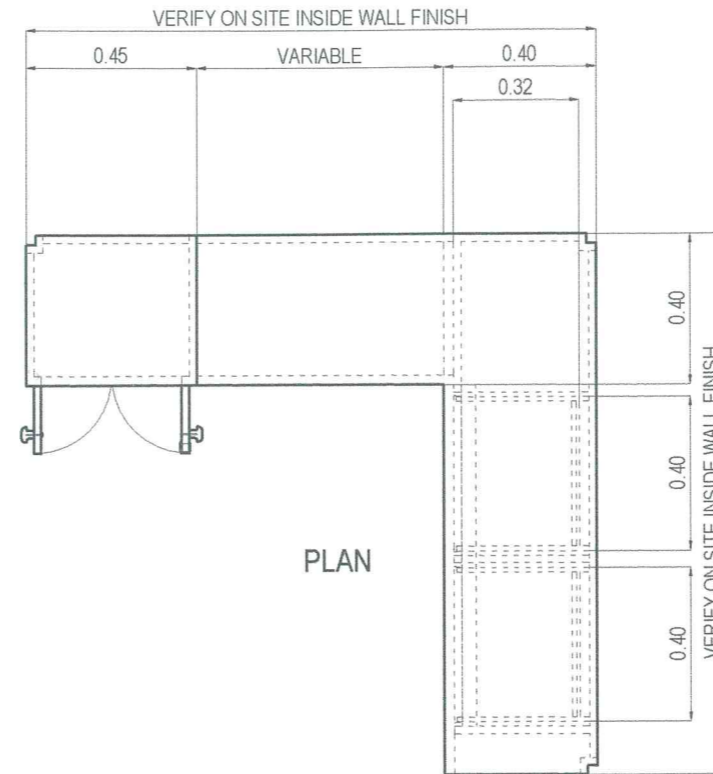
**COLUMN & FOOTING DETAIL**  
SCALE: 1:20 M.

REVISIONS				PROJECT:	DRAWN BY:	PREPARED BY:	REVIEWED BY:	SUBMITTED BY:	RECOMMENDING PROJECT IMPLEMENTATION:	APPROVED FOR PROJECT IMPLEMENTATION:	SHEET NO.
REV.	DATE	BY	DESCRIPTION								
				PROPOSED 300 CU. M. REINFORCED CONCRETE GROUND TANKS AT BALUNO & BANDERA-DULIAN FOR DUMALON WATER SYSTEM	ARTHURA REYES PRINCIPAL DRAFTSMAN - DESIGN DIVISION	BUNNY L. DAMPIOS SENIOR ENGINEER A - DESIGN DIVISION	REX D. SALE, JR. SUPERVISING ENGINEER A - DESIGN DIVISION	EDITO M. BAUTISTA, JR. OIC - DESIGN DIVISION	MARLI ACOSTA - DE FIESTA ADM. TECHNICAL SERVICES GROUP	REYNALDO R. CABILN GENERAL MANAGER	42
				SHEET CONTENT:	AS INDICATED						

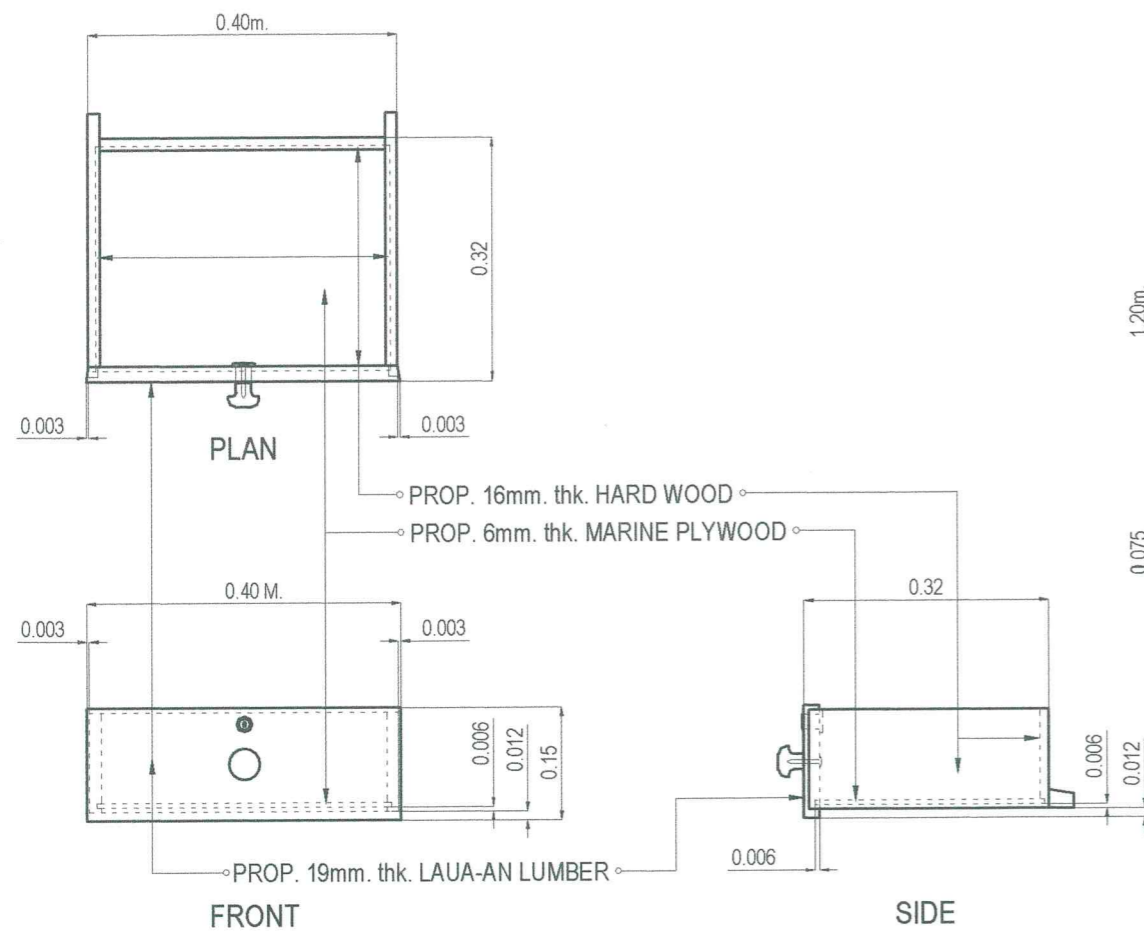


**GUARD HOUSE FLOOR PLAN**

SCALE: 1:50 M.

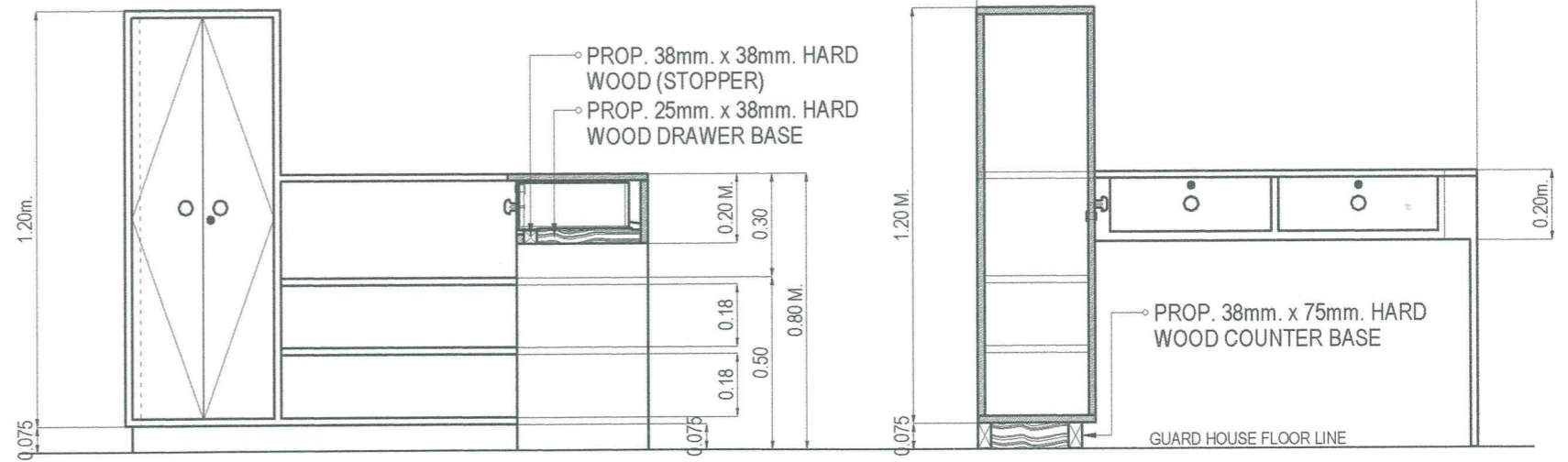


**PLAN**



**DRAWER DETAIL**

SCALE: 1:10 M.



**SECTION THRU A**

**SECTION THRU B**

**GUARD HOUSE COUNTER & CABINET DETAIL**

SCALE: 1:20 M.

REVISIONS				PROJECT:	DRAWN BY:	PREPARED BY:	REVIEWED BY:	SUBMITTED BY:	RECOMMENDING PROJECT IMPLEMENTATION:	APPROVED FOR PROJECT IMPLEMENTATION:	SHEET NO.
REV.	DATE	BY	DESCRIPTION								
				PROPOSED 300 CU. M. REINFORCED CONCRETE GROUND TANKS AT BALUNO & BANDERA-DULIAN FOR DUMALON WATER SYSTEM	ARTHUR A. REYES PRINCIPAL DRAFTSMAN - DESIGN DIVISION	BUNNY L. DAMPIOS SENIOR ENGINEER A - DESIGN DIVISION	REX D. SALE, JR. SUPERVISING ENGINEER A - DESIGN DIVISION	EDDIE M. BAUTISTA, JR. OIC - DESIGN DIVISION	MARLI ACOSTA - DE FIESTA AGM - TECHNICAL SERVICES GROUP	REYNALDO R. CABILN GENERAL MANAGER	43