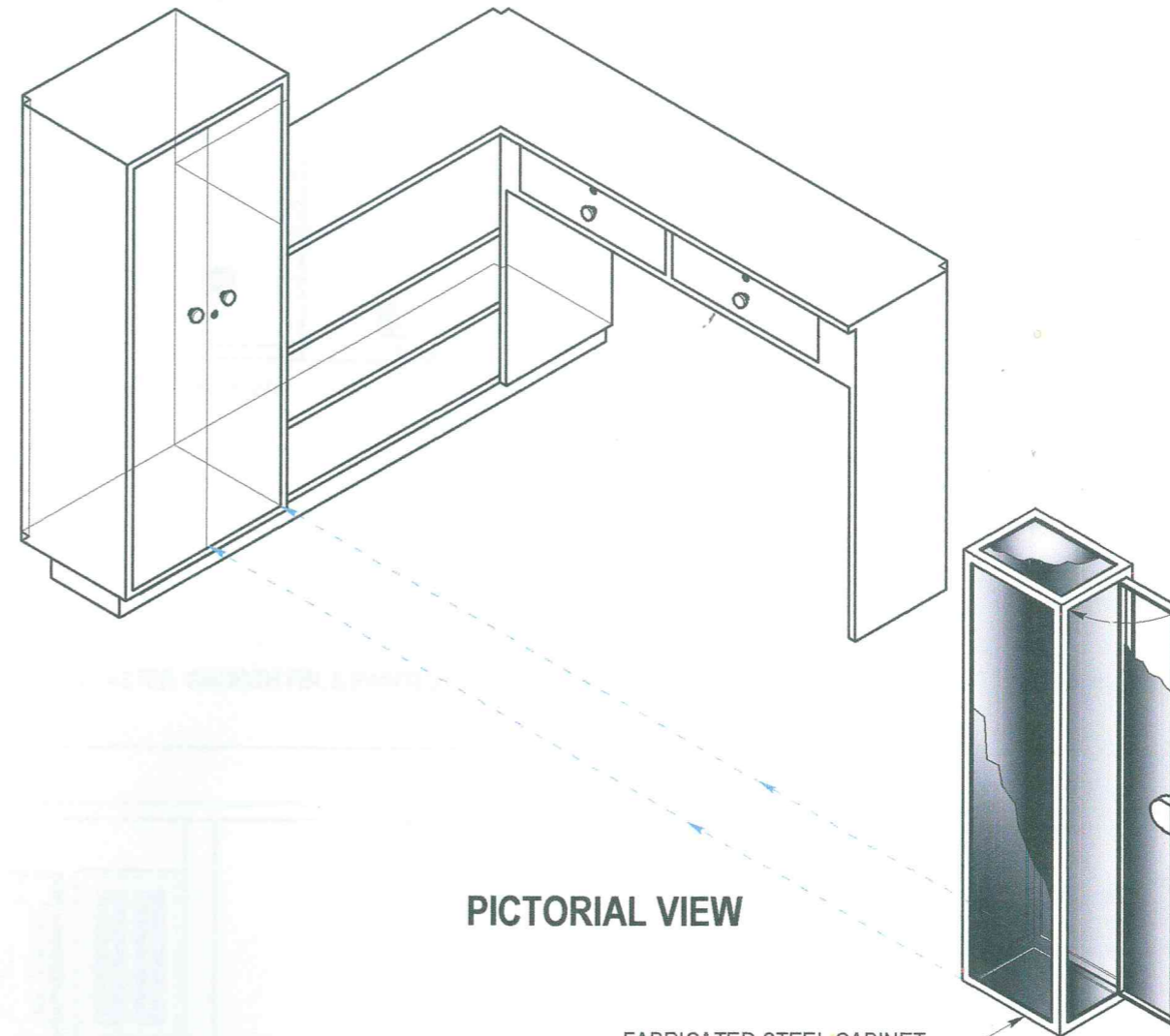


PICTORIAL VIEW



PICTORIAL VIEW

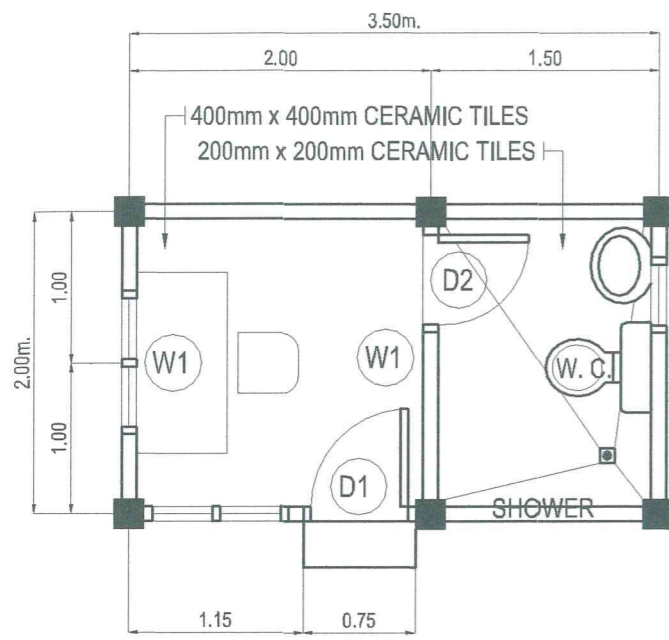
FABRICATED STEEL CABINET WITH DOOR LOCK

USE OUTSIDE DIMENSION FOR THE STEEL CABINET
(Size - 200mm. Width x 300mm. Depth x 1,150mm. Height)
TO BE PLACE INSIDE THE WOODEN CABINET, SMOOTH
FINISH AND PAINTED WITH ACRYLIC BASE PAINT

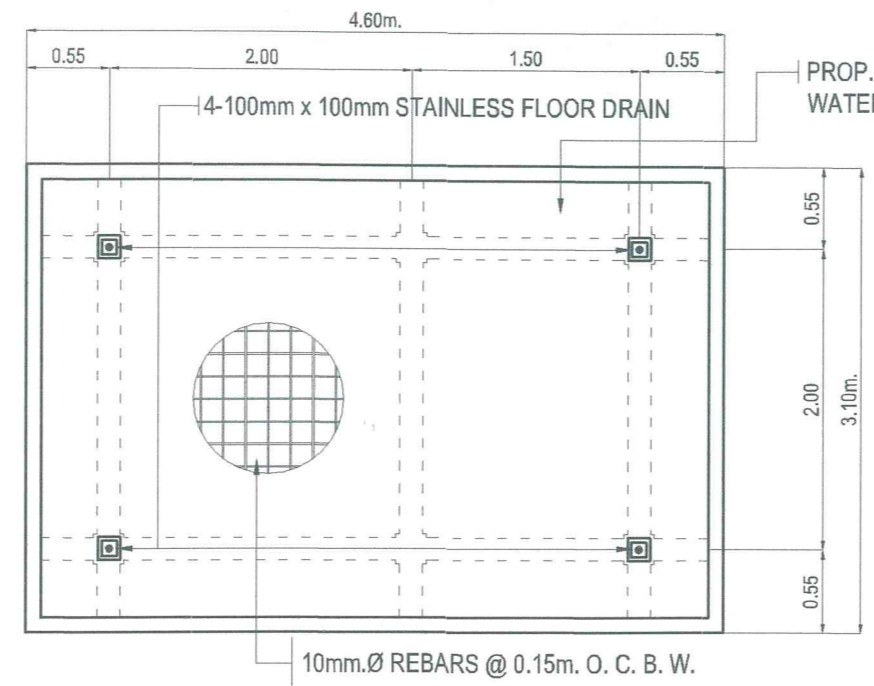
SPECIFICATION:

- USE 19mm. thk. MARINE PLYWOOD FOR THE COUNTER CABINET SET
- USE HARD WOOD FOR ALL DRAWER BOXES
- USE 6mm. thk. MARINE PLYWOOD FOR DRAWER BOX BOTTOM BOARD
- COUNTER CABINET SET MUST BE SMOOTH FINISH & PAINTED WITH LIQUID TILE PAINT
- PROVIDE 1 PIECE PLASTIC STOOL (MONO BLOCK GREY COLOR)
- USE 6mm. thk. x 25mm. x 25mm. MS ANGLE BAR FOR THE STEEL CABINET & DOOR FRAME
- USE Ga. 16 G. I. SHEET FOR THE STEEL CABINET SHEETING (SHEETING MUST BE PLACE INSIDE THE ANGLE BAR FRAMING)

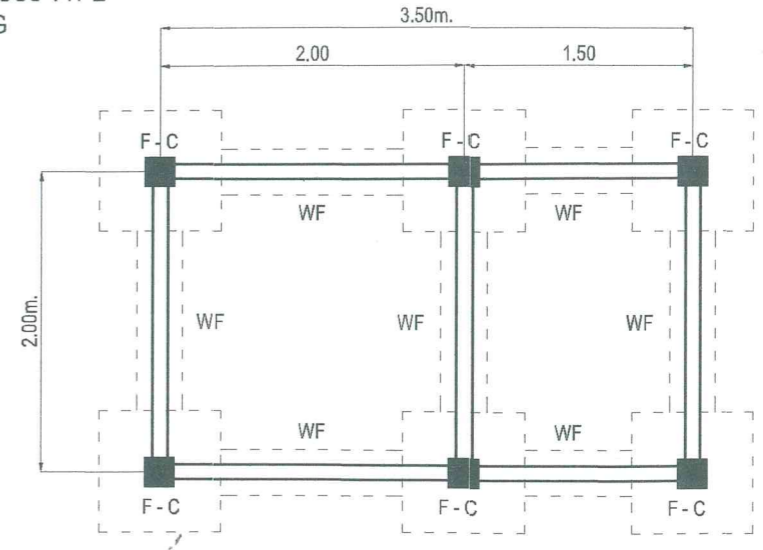
	<table border="1"> <thead> <tr> <th colspan="4">REVISIONS</th> </tr> <tr> <th>REV.</th> <th>DATE</th> <th>BY</th> <th>DESCRIPTION</th> </tr> </thead> <tbody> <tr><td> </td><td> </td><td> </td><td> </td></tr> <tr><td> </td><td> </td><td> </td><td> </td></tr> <tr><td> </td><td> </td><td> </td><td> </td></tr> </tbody> </table>				REVISIONS				REV.	DATE	BY	DESCRIPTION													PROJECT: PROPOSED 300 CU. M. REINFORCED CONCRETE GROUND TANKS AT BALUNO & BANDERA-DULIAN FOR DUMALON WATER SYSTEM	DRAWN BY:  ARTHUR A. REYES <small>PRINCIPAL DRAFTSMAN - DESIGN DIVISION</small>	PREPARED BY:  BUNNY L. DAMPIOS <small>SENIOR ENGINEER A - DESIGN DIVISION</small>	REVIEWED BY:  REX D. SALE, JR. <small>SUPERVISING ENGINEER A - DESIGN DIVISION</small>	SUBMITTED BY:  EDITO M. BAUTISTA, JR. <small>OIC - DESIGN DIVISION</small>	RECOMMENDING PROJECT IMPLEMENTATION:  MARLI ACOSTA - DE FIESTA <small>AGM - TECHNICAL SERVICES GROUP</small>	APPROVED FOR PROJECT IMPLEMENTATION:  REYNALDO R. CABILAN <small>GENERAL MANAGER</small>	SHEET NO. 44
	REVISIONS																															
REV.	DATE	BY	DESCRIPTION																													
SHEET CONTENT: AS INDICATED																																



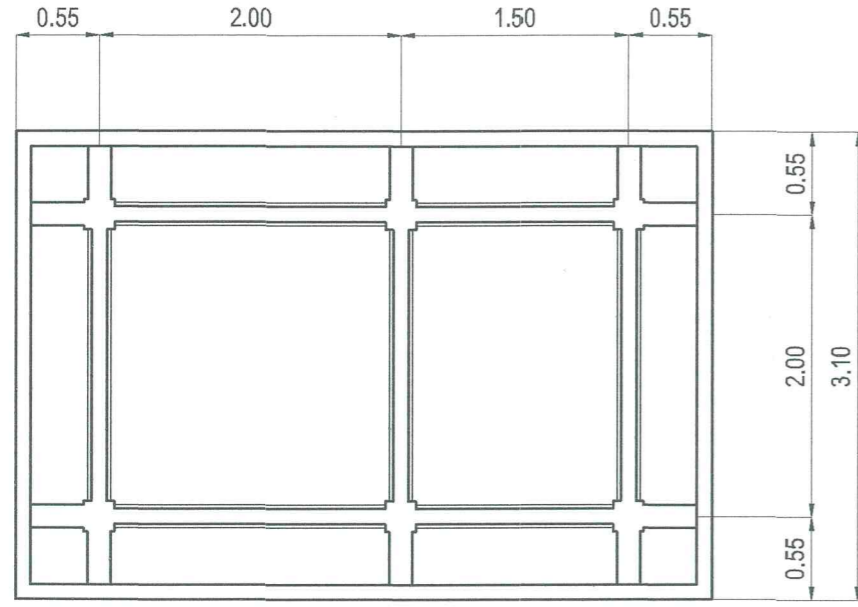
FLOOR PLAN
SCALE: 1:50 M.



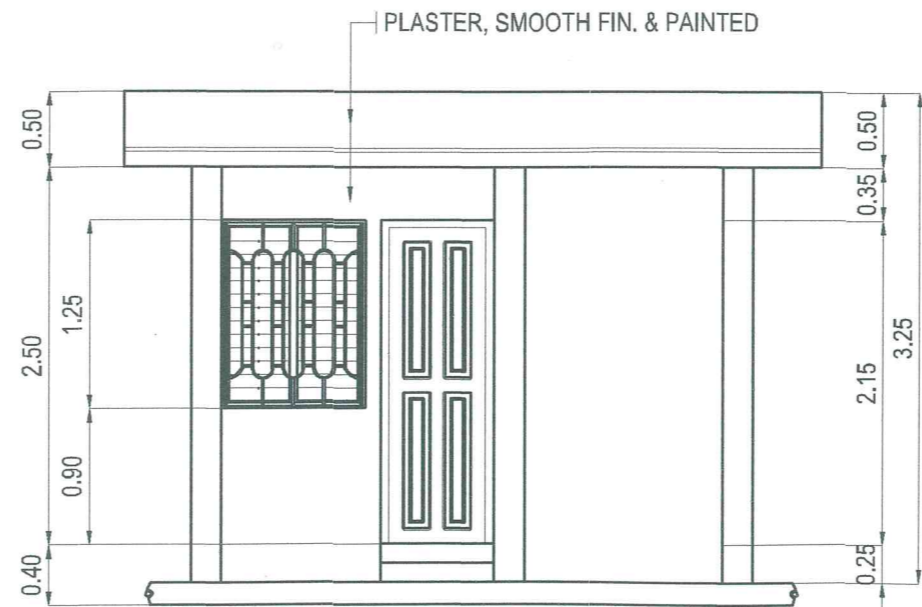
ROOF FRAMING PLAN
SCALE: 1:50 M.



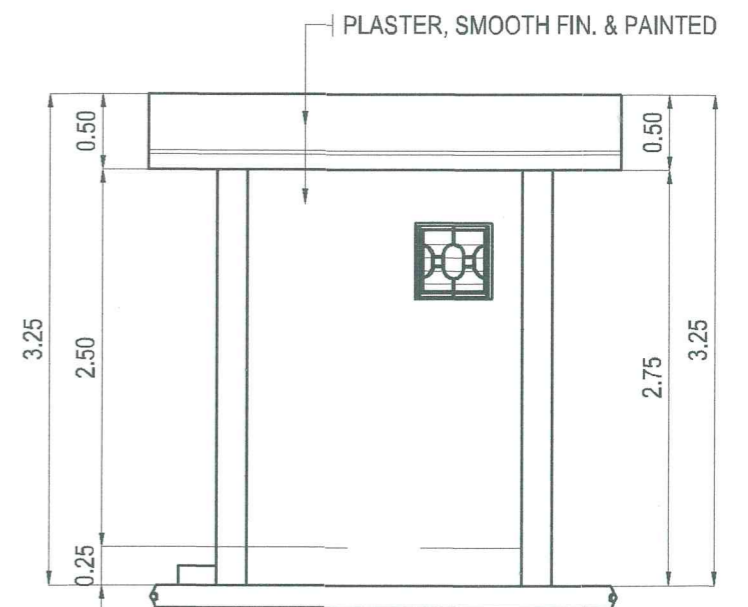
FOUNDATION PLAN
SCALE: 1:50 M.



CEILING PLAN
SCALE: 1:50 M.



FRONT ELEVATION
SCALE: 1:50 M.



RIGHT ELEVATION
SCALE: 1:50 M.



REVISIONS			
REV.	DATE	BY	DESCRIPTION

PROJECT: PROPOSED 300 CU. M. REINFORCED CONCRETE GROUND TANKS AT BALUNO & BANDERA-DULIAN FOR DUMALON WATER SYSTEM
SHEET CONTENT: AS INDICATED

DRAWN BY: *[Signature]*
DARRELL B. SALARITAN
SENIOR DRAFTSMAN - DESIGN DIVISION

PREPARED BY: *[Signature]*
BUNNY L. DAMPIOS
SENIOR ENGINEER A - DESIGN DIVISION

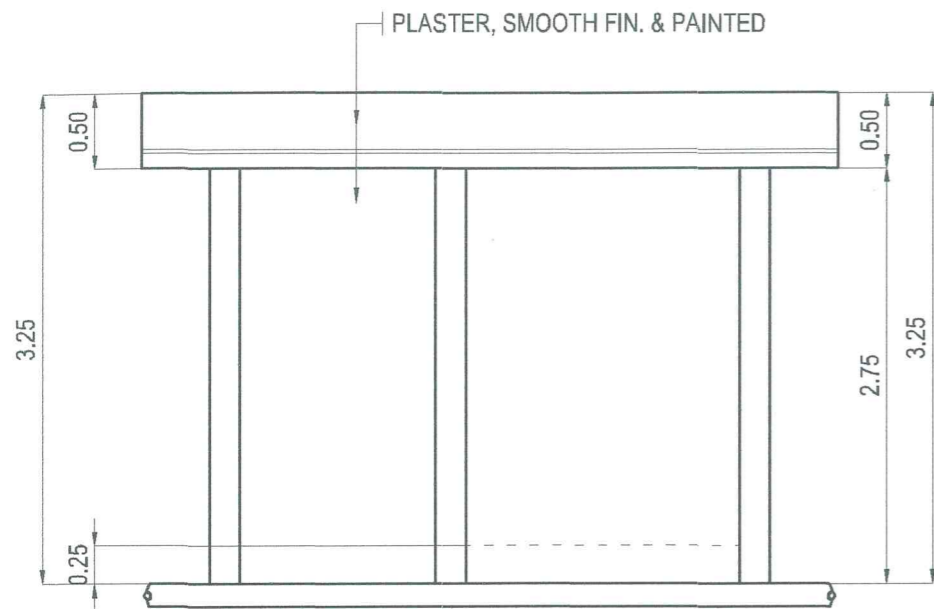
REVIEWED BY: *[Signature]*
REX D. SALE, JR.
SUPERVISING ENGINEER A - DESIGN DIVISION

SUBMITTED BY: *[Signature]*
EDITO M. BAUTISTA, JR.
OIC - DESIGN DIVISION

RECOMMENDING PROJECT IMPLEMENTATION: *[Signature]*
MARLI ACOSTA - DE FIESTA
RGM - TECHNICAL SERVICES GROUP

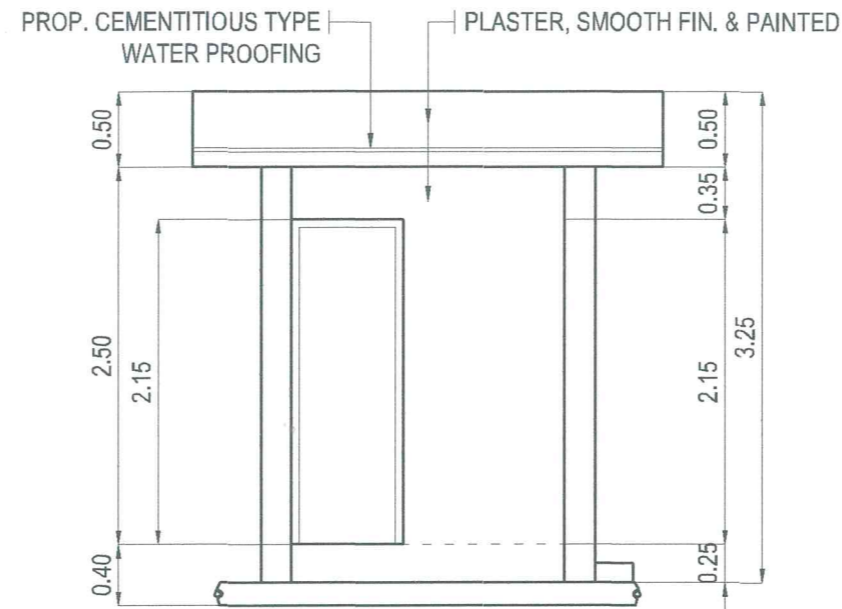
APPROVED FOR PROJECT IMPLEMENTATION: *[Signature]*
REYNALDO R. CABILN
GENERAL MANAGER

SHEET NO. 45



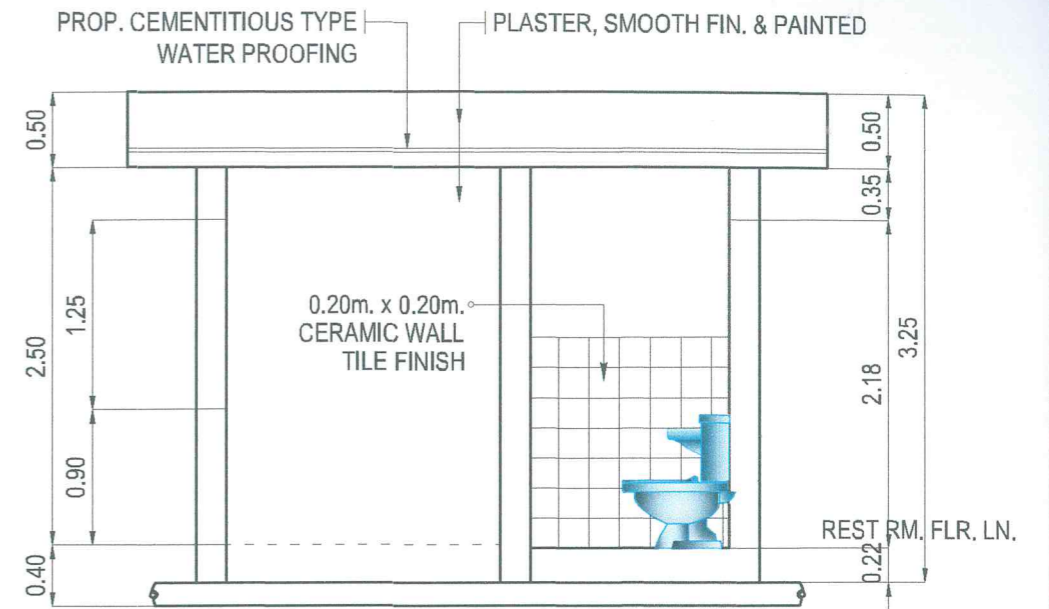
REAR ELEVATION

SCALE: 1:50 M.



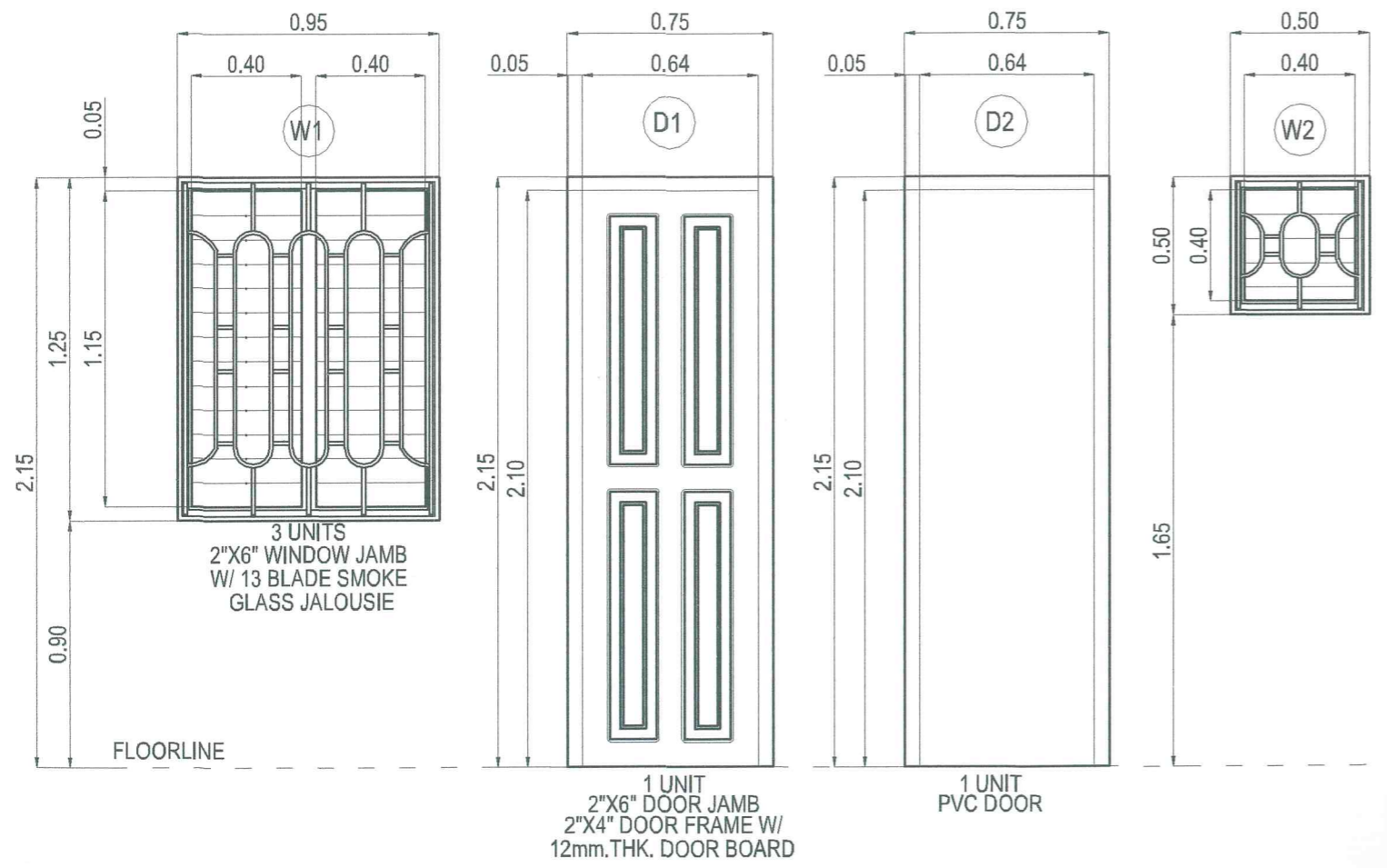
SECTION THRU B-B

SCALE: 1:50 M.



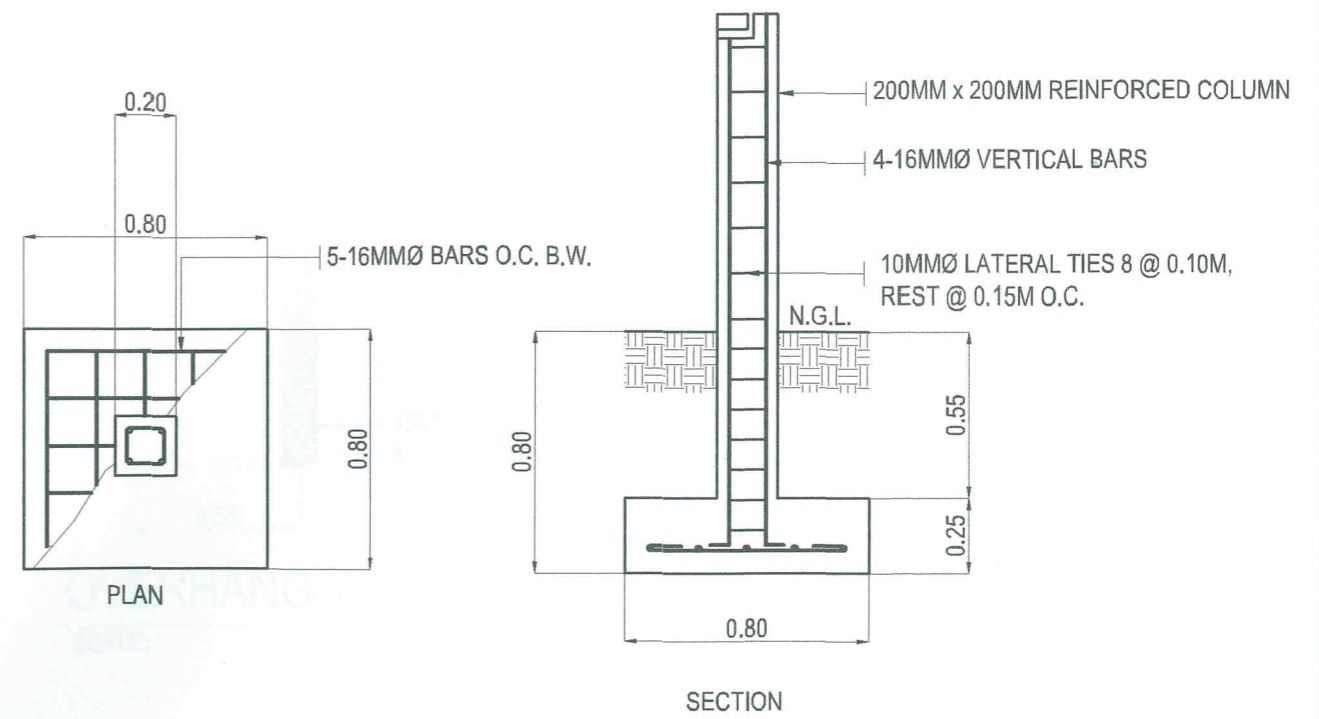
SECTION THRU A-A

SCALE: 1:50 M.



SCHEDULE OF DOOR & WINDOWS

SCALE: 1:25 M.



FOOTING & COLUMN DETAIL

SCALE: 1:25 M.

	REVISIONS REV. DATE BY DESCRIPTION			PROJECT: PROPOSED 300 CU. M. REINFORCED CONCRETE GROUND TANKS AT BALUNO & BANDERA-DULIAN FOR DUMALON WATER SYSTEM	DRAWN BY: DARRELL B. SALARITAN SENIOR DRAFTSMAN - DESIGN DIVISION	PREPARED BY: SUNNY L. DAMPIOS SENIOR ENGINEER A - DESIGN DIVISION	REVIEWED BY: REX D. SALE, JR. SUPERVISING ENGINEER A - DESIGN DIVISION	SUBMITTED BY: EDITO M. BAUTISTA, JR. OIC - DESIGN DIVISION	RECOMMENDING PROJECT IMPLEMENTATION: MARLI ACOSTA - DE FIESTA AGM - TECHNICAL SERVICES GROUP	APPROVED FOR PROJECT IMPLEMENTATION: REYNALDO R. CABILAN GENERAL MANAGER	SHEET NO. 46
	SHEET CONTENT: AS INDICATED										