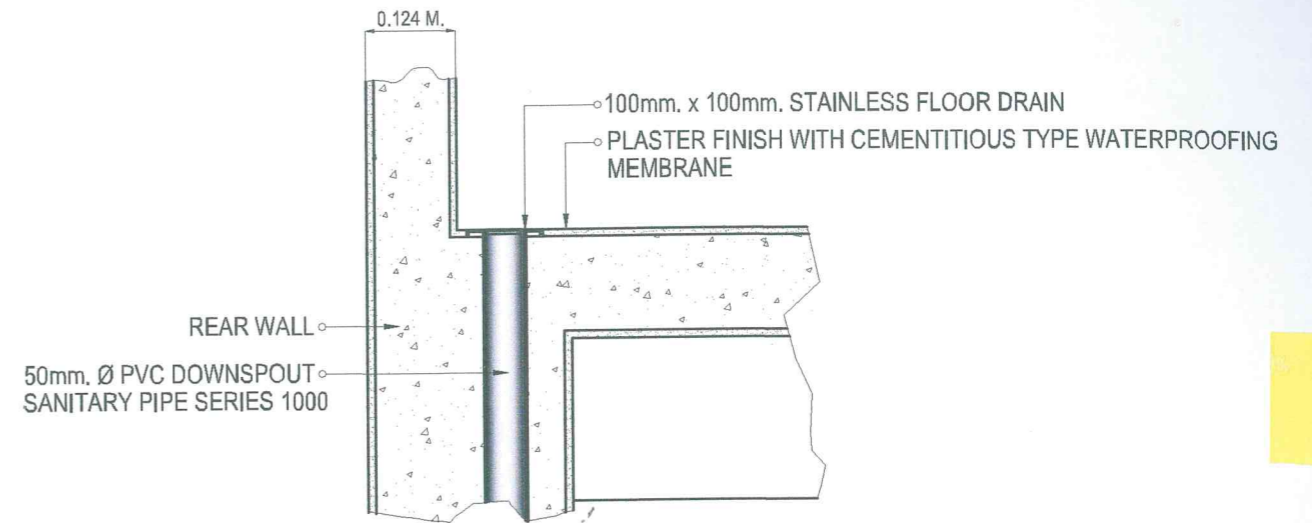
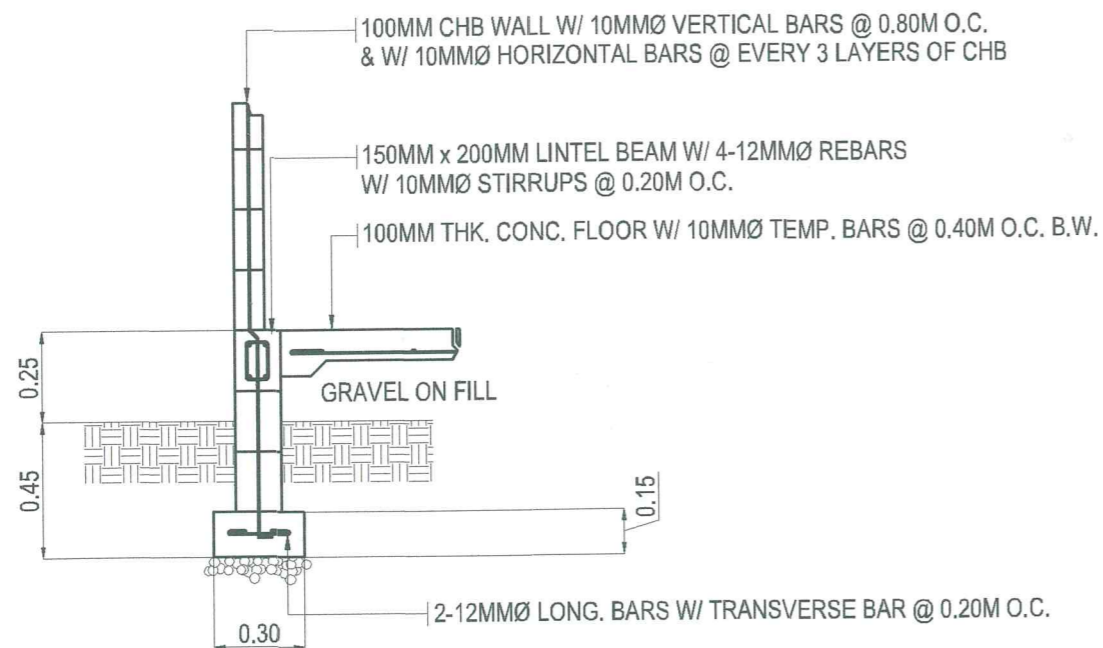


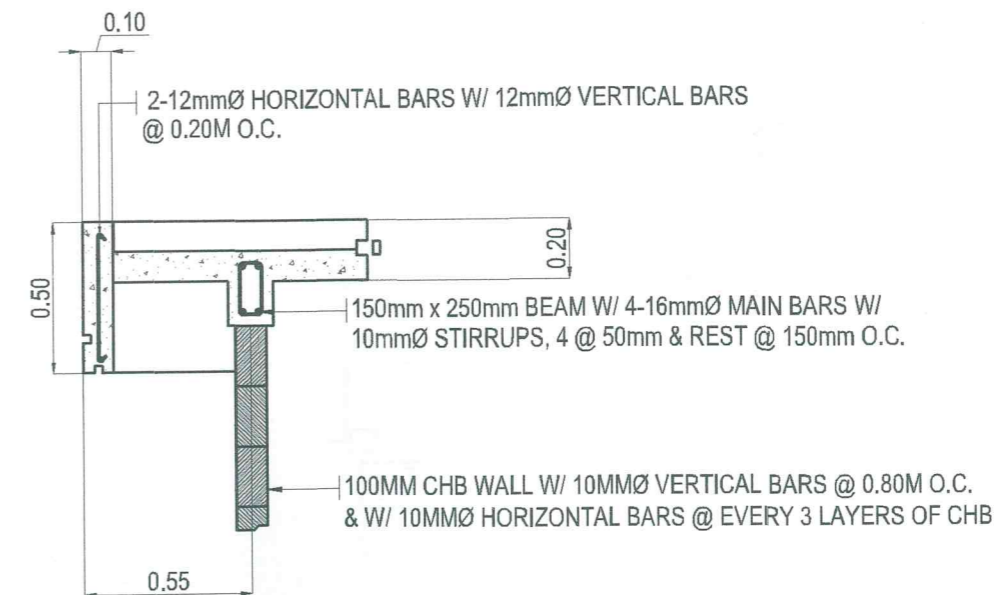
ROOF DECK FLOOR SLAB DETAIL
SCALE: 1:20 M.



DOWNSPOUT DETAIL
SCALE: 1:10 M.

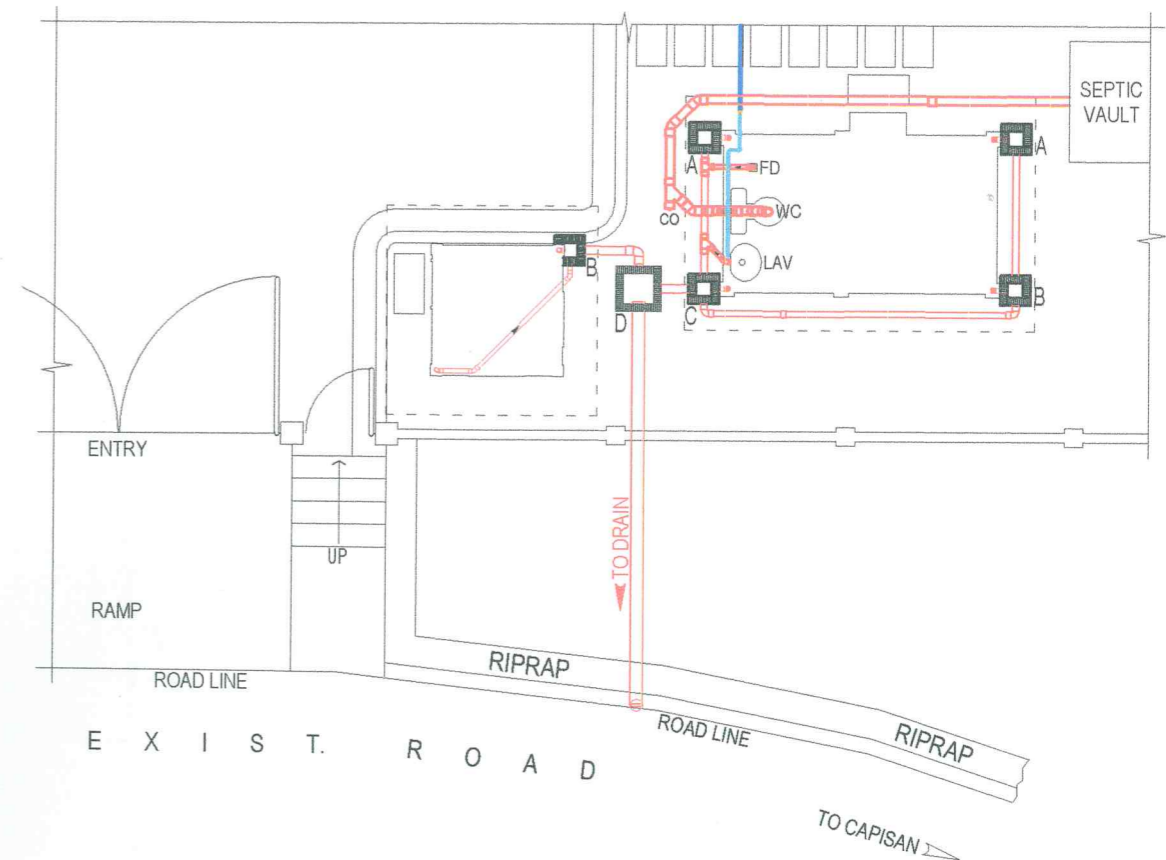
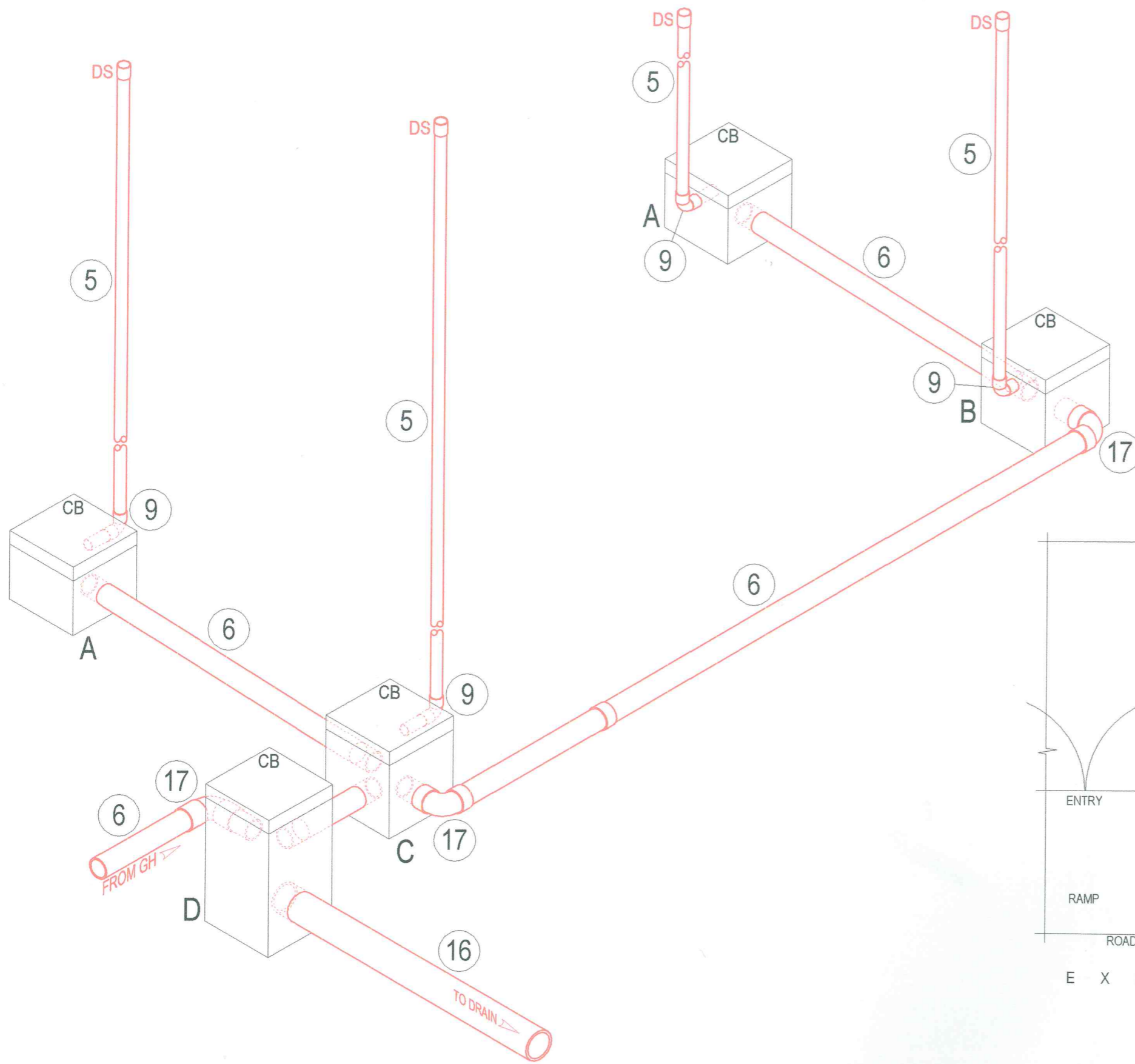


WALL FOOTING DETAIL



OVERHANG WALL DETAIL (CANOPY)
SCALE: 1:25 M.

REVISIONS				PROJECT:	DRAWN BY:	PREPARED BY:	REVIEWED BY:	SUBMITTED BY:	RECOMMENDING PROJECT IMPLEMENTATION:	APPROVED FOR PROJECT IMPLEMENTATION:	SHEET NO.
REV.	DATE	BY	DESCRIPTION								
				PROPOSED 300 CU. M. REINFORCED CONCRETE GROUND TANKS AT BALUNO & BANDERA-DULJAN FOR DUMALON WATER SYSTEM	DARRELL B. SALARITAN SENIOR DRAFTSMAN - DESIGN DIVISION	BUNNY L. DAMPIOS SENIOR ENGINEER A - DESIGN DIVISION	REX D. SALE, JR. SUPERVISING ENGINEER A - DESIGN DIVISION	EDITO M. BAUTISTA, JR. CIC - DESIGN DIVISION	MARLI ACOSTA - DE FIESTA AGM - TECHNICAL SERVICES GROUP	REYNALDO R. CABILN GENERAL MANGER	47



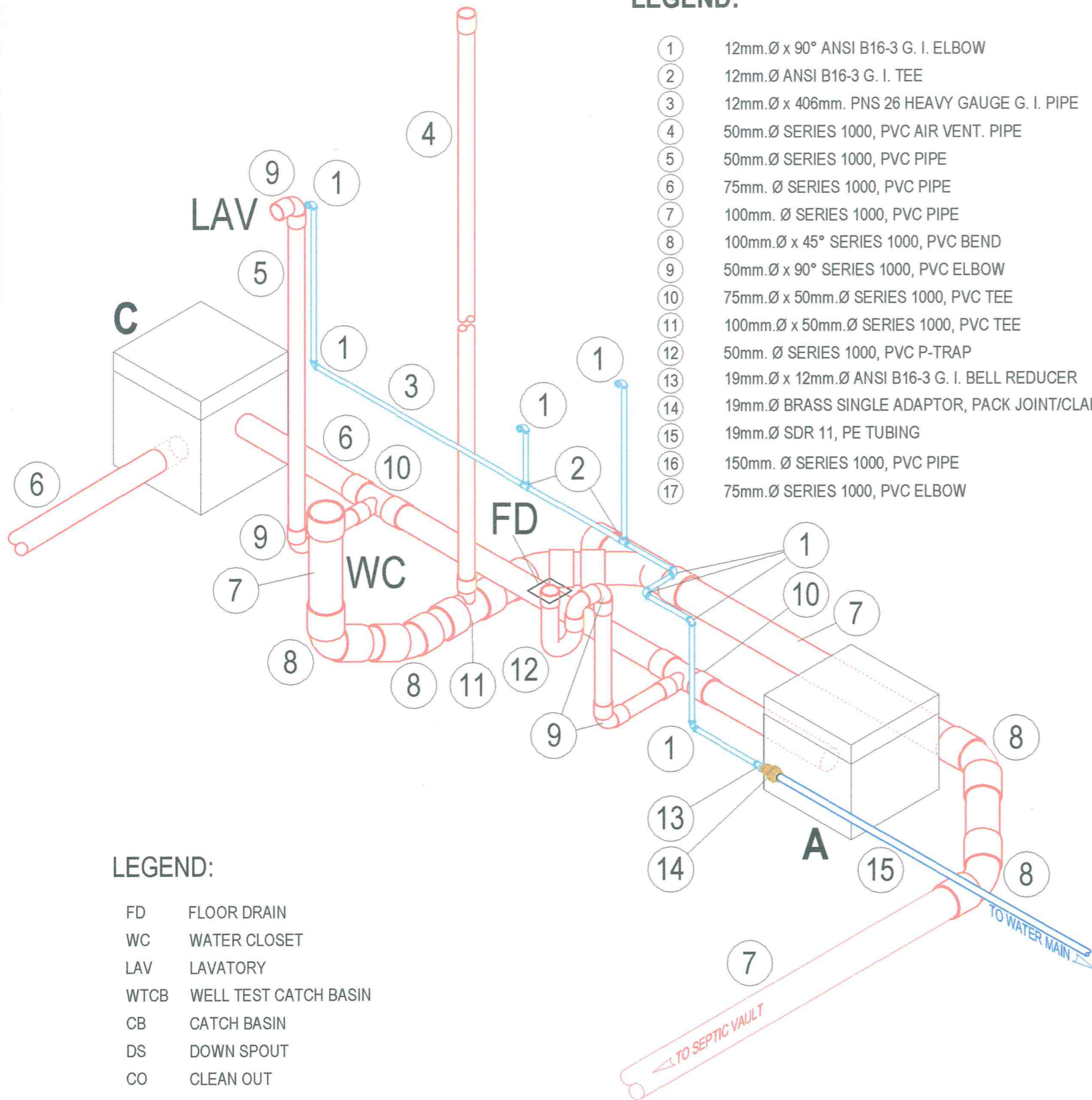
STORM DRAIN AND PLUMBING LAYOUT PLAN

SCALE: 1:100 M.

REVISIONS				PROJECT:	DRAWN BY:	PREPARED BY:	REVIEWED BY:	SUBMITTED BY:	RECOMMENDING PROJECT IMPLEMENTATION:	APPROVED FOR PROJECT IMPLEMENTATION:	SHEET NO.
REV.	DATE	BY	DESCRIPTION								
				PROPOSED 300 CU. M. REINFORCED CONCRETE GROUND TANKS AT BALUNO & BANDERA-DULIAN FOR DUMALON WATER SYSTEM	ARTHUR A. REYES PRINCIPAL DRAFTER - DESIGN DIVISION	BUNNY L. DAMPIOS SENIOR ENGINEER A - DESIGN DIVISION	REX D. SALE, JR. SUPERVISING ENGINEER A - DESIGN DIVISION	EDITO M. BAUTISTA, JR. D/C - DESIGN DIVISION	MARLI AGOSTA - DE FIESTA A/M - TECHNICAL SERVICES GROUP	REYNALDO R. CABILN GENERAL MANAGER	48

LEGEND:

- ① 12mm.Ø x 90° ANSI B16-3 G. I. ELBOW
- ② 12mm.Ø ANSI B16-3 G. I. TEE
- ③ 12mm.Ø x 406mm. PNS 26 HEAVY GAUGE G. I. PIPE
- ④ 50mm.Ø SERIES 1000, PVC AIR VENT. PIPE
- ⑤ 50mm.Ø SERIES 1000, PVC PIPE
- ⑥ 75mm. Ø SERIES 1000, PVC PIPE
- ⑦ 100mm. Ø SERIES 1000, PVC PIPE
- ⑧ 100mm.Ø x 45° SERIES 1000, PVC BEND
- ⑨ 50mm.Ø x 90° SERIES 1000, PVC ELBOW
- ⑩ 75mm.Ø x 50mm.Ø SERIES 1000, PVC TEE
- ⑪ 100mm.Ø x 50mm.Ø SERIES 1000, PVC TEE
- ⑫ 50mm. Ø SERIES 1000, PVC P-TRAP
- ⑬ 19mm.Ø x 12mm.Ø ANSI B16-3 G. I. BELL REDUCER
- ⑭ 19mm.Ø BRASS SINGLE ADAPTOR, PACK JOINT/CLAMP TYPE
- ⑮ 19mm.Ø SDR 11, PE TUBING
- ⑯ 150mm. Ø SERIES 1000, PVC PIPE
- ⑰ 75mm.Ø SERIES 1000, PVC ELBOW

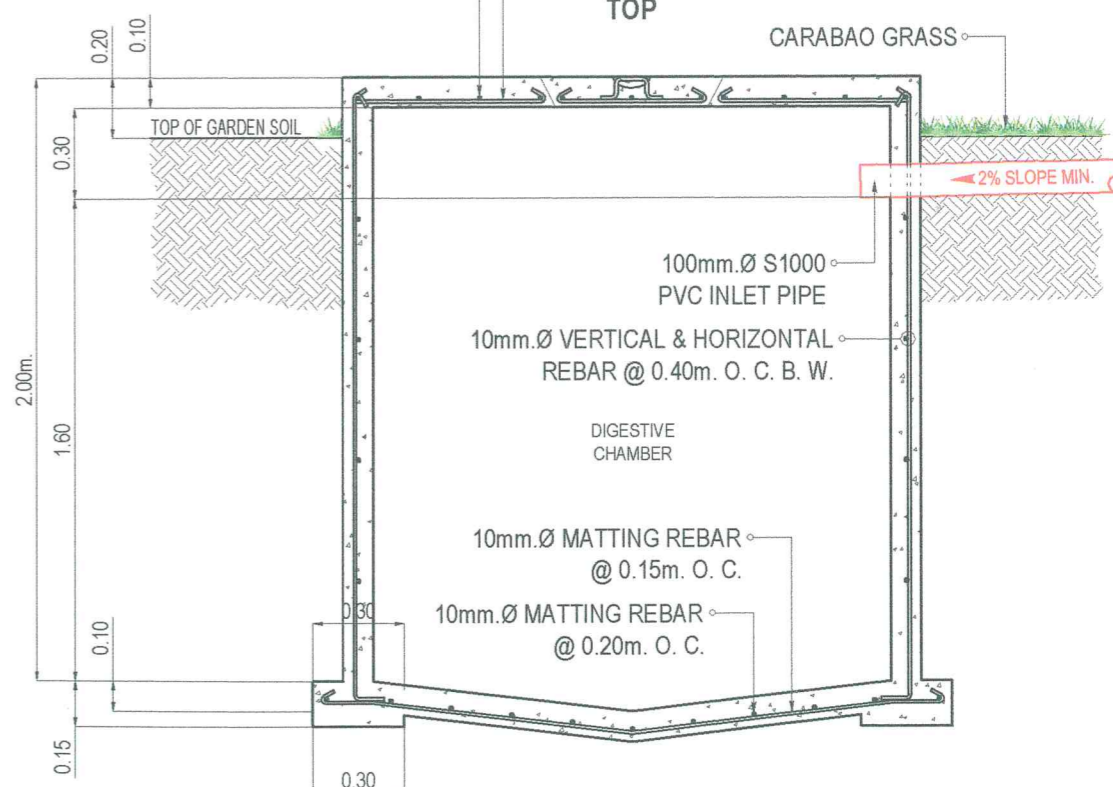
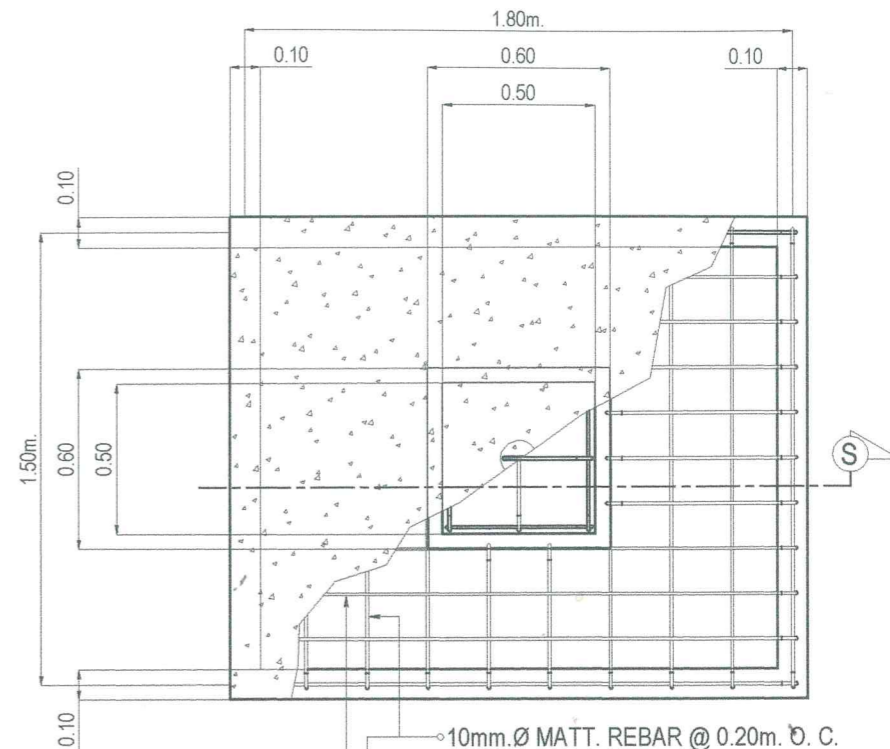


LEGEND:

- FD FLOOR DRAIN
- WC WATER CLOSET
- LAV LAVATORY
- WTCB WELL TEST CATCH BASIN
- CB CATCH BASIN
- DS DOWN SPOUT
- CO CLEAN OUT

STORM DRAIN AND PLUMBING DIAGRAM

SCALE: 1:250 M.



SECTION THRU S

DETAIL OF SEPTIC VAULT

SCALE: 1:250M.

	REVISIONS REV. DATE BY DESCRIPTION		PROJECT: PROPOSED 300 CU. M. REINFORCED CONCRETE GROUND TANKS AT BALUNO & BANDERA-DULIAN FOR DUMALON WATER SYSTEM	DRAWN BY: ARTHUR A. REYES PRINCIPAL DRAFTSMAN - DESIGN DIVISION	PREPARED BY: BUNNY L. DAMPIOS SENIOR ENGINEER A - DESIGN DIVISION	REVIEWED BY: REX D. SALE, JR. SUPERVISING ENGINEER A - DESIGN DIVISION	SUBMITTED BY: EDITO M. BAUTISTA, JR. OIC - DESIGN DIVISION	RECOMMENDING PROJECT IMPLEMENTATION: MARLIA COSTA - DE FIESTA TEAM - TECHNICAL SERVICES GROUP	APPROVED FOR PROJECT IMPLEMENTATION: REYNALDO R. CABILN GENERAL MANAGER	SHEET NO. 49
	SHEET CONTENT: AS INDICATED									