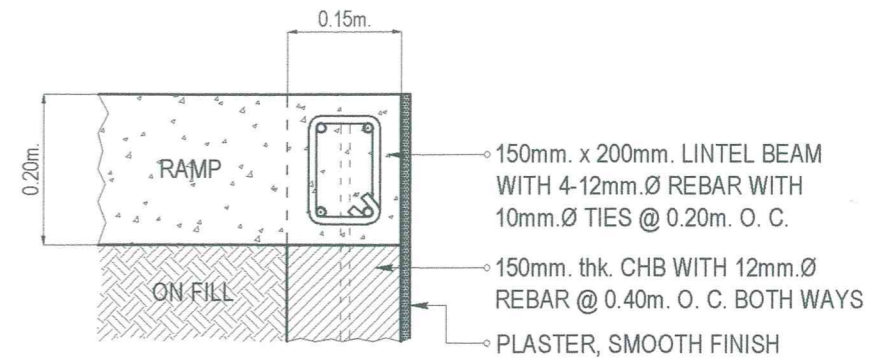
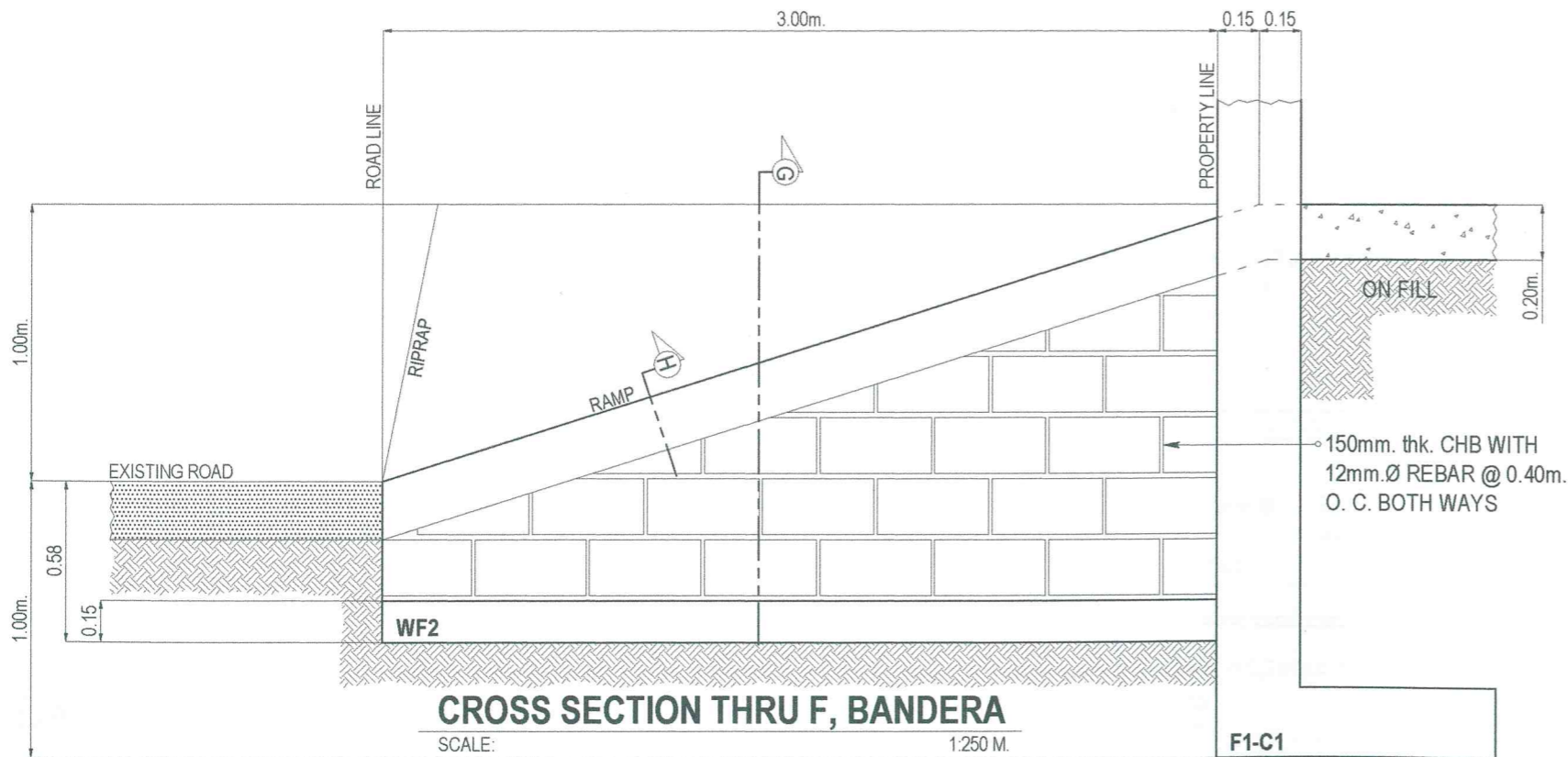


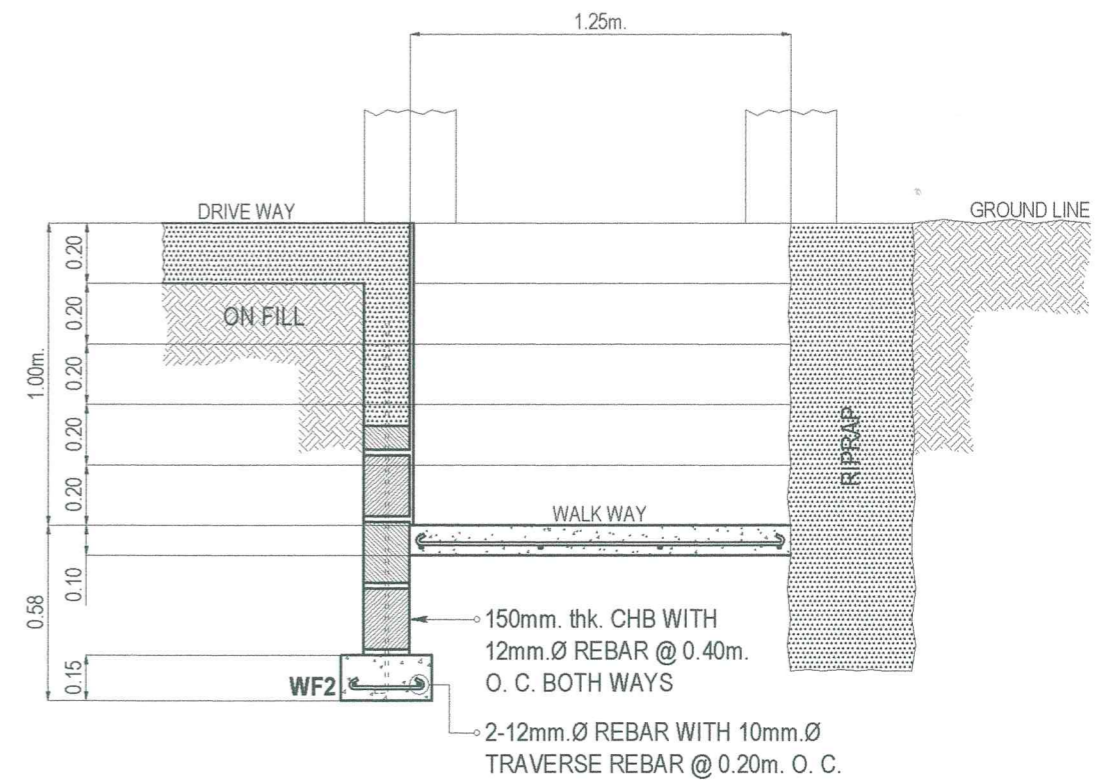
WEEP HOLE INSTALLATION, BANDERA
SCALE: 1:100 M.



CROSS SECTION THRU H
SCALE: 1:10 M.

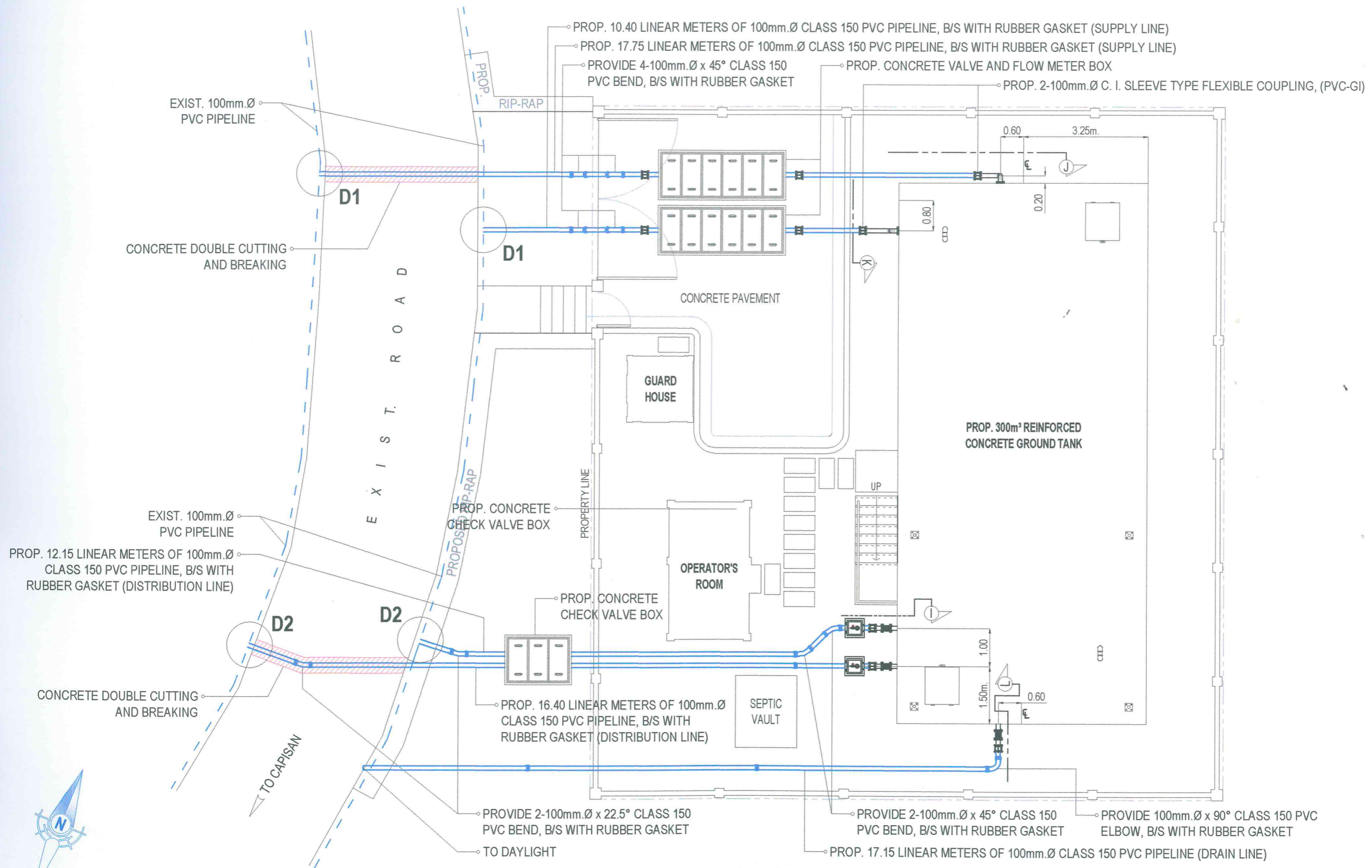


CROSS SECTION THRU F, BANDERA
SCALE: 1:250 M.



CROSS SECTION THRU G, BANDERA
SCALE: 1:250 M.

REVISIONS				PROJECT:	DRAWN BY:	PREPARED BY:	REVIEWED BY:	SUBMITTED BY:	RECOMMENDING PROJECT IMPLEMENTATION:	APPROVED FOR PROJECT IMPLEMENTATION:	SHEET NO.
REV.	DATE	BY	DESCRIPTION								
				PROPOSED 300 CU. M. REINFORCED CONCRETE GROUND TANKS AT BALUNO & BANDERA-DULIAN FOR DUMALON WATER SYSTEM	ARTHUR A. REYES PRINCIPAL DRAFTSMAN - DESIGN DIVISION	BUNNY L. DAMPIOS SENIOR ENGINEER A - DESIGN DIVISION	REX D. SALE, JR. SUPERVISING ENGINEER A - DESIGN DIVISION	EDITH M. BAUTISTA, JR. OIC - DESIGN DIVISION	MARLI ACOSTA - DE FIESTA ASM - TECHNICAL SERVICES GROUP	REYNALDO R. CABILAN GENERAL MANAGER	14



PROP. PIPELINE LAYOUT PLAN, BANDERA
SCALE: 1:100 M.

	REVISIONS REV. DATE BY DESCRIPTION				PROJECT: PROPOSED 300 CU. M. REINFORCED CONCRETE GROUND TANKS AT BALUNO & BANDERA-DULIAN FOR DUMALON WATER SYSTEM	DRAWN BY: ARTHUR A. REYES PRINCIPAL DRAFTSMAN - DESIGN DIVISION	PREPARED BY: BUNNY L. DAMPIOS SENIOR ENGINEER A - DESIGN DIVISION	REVIEWED BY: REX D. SALE, JR. SUPERVISING ENGINEER A - DESIGN DIVISION	SUBMITTED BY: EDITO M. BAUTISTA, JR. OIC - DESIGN DIVISION	RECOMMENDING PROJECT IMPLEMENTATION: MARLI ACOSTA - DE FIBSTA AGM - TECHNICAL SERVICE GROUP	APPROVED FOR PROJECT IMPLEMENTATION: REYNALDO R. CABILN GENERAL MANAGER	SHEET NO. 15
	SHEET CONTENT: AS INDICATED											