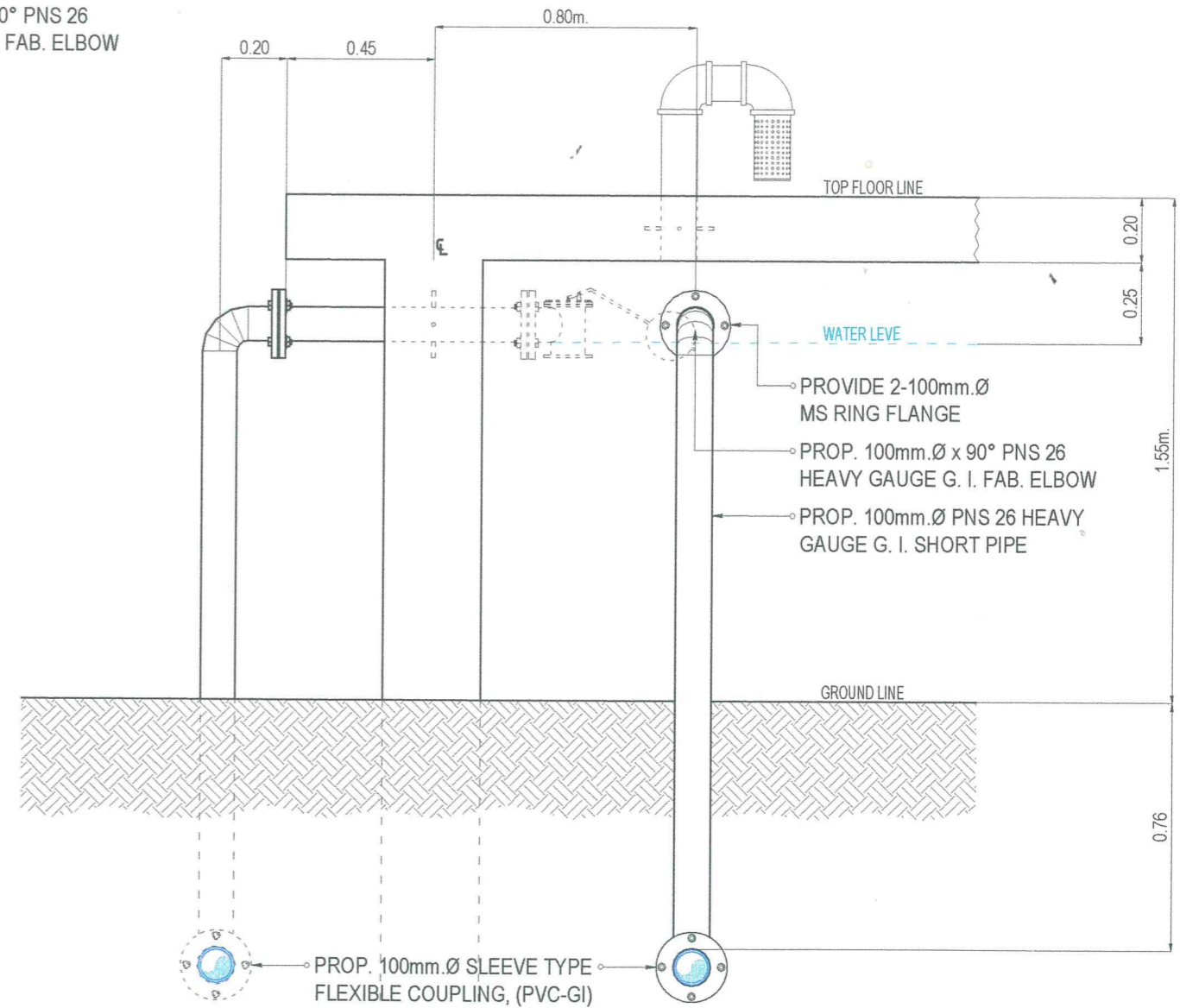
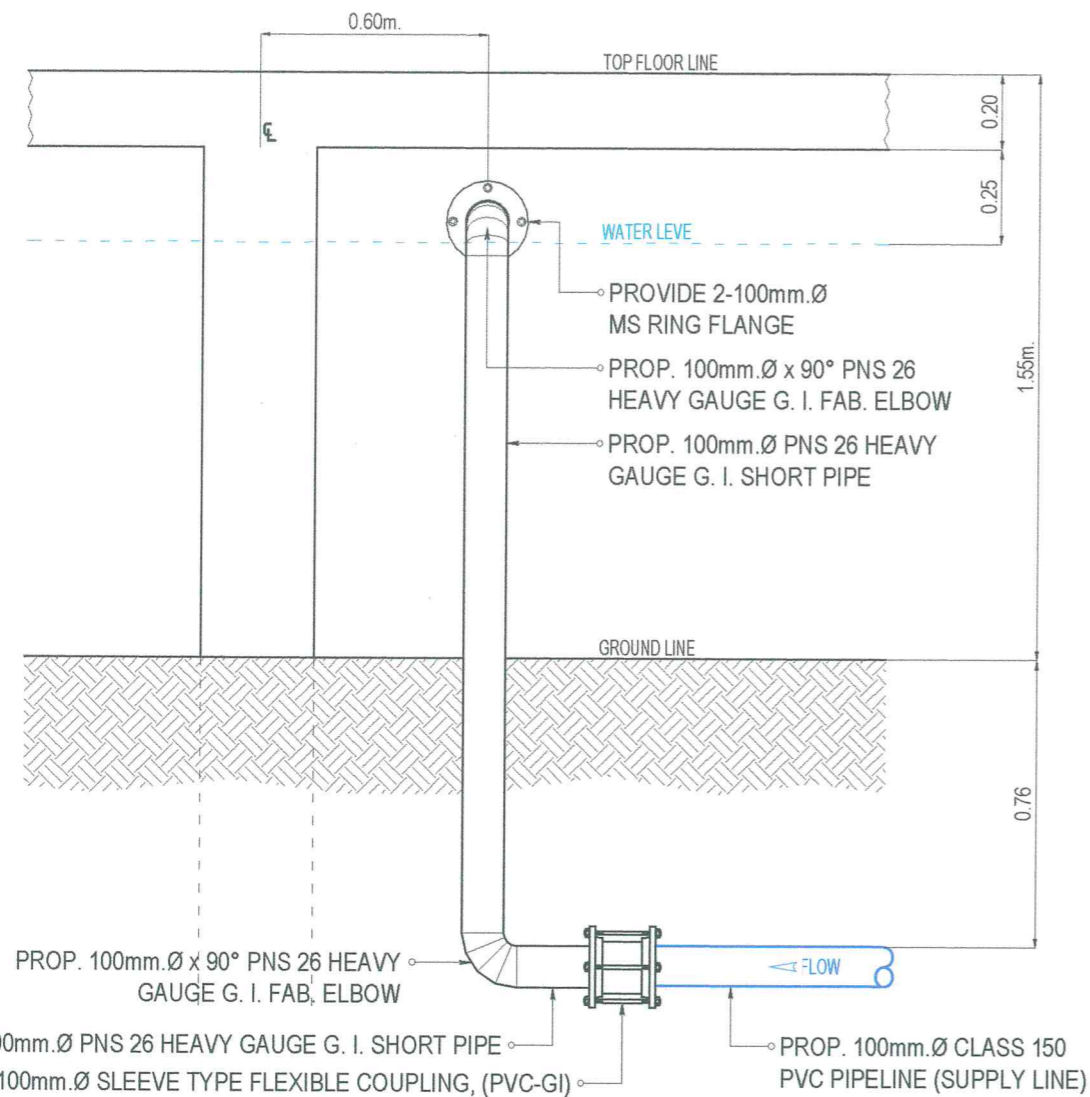


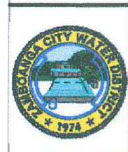
SECTION THRU J, BANDERA
SCALE: 1:100 M.



SECTION THRU K, BANDERA
SCALE: 1:20 M.



SECTION THRU J, BANDERA
SCALE: 1:20 M.



REV.	DATE	BY	REVISIONS	DESCRIPTION

PROJECT: PROPOSED 300 CU. M. REINFORCED CONCRETE GROUND TANKS AT BALUNO & BANDERA-DULIAN FOR DUMALON WATER SYSTEM
SHEET CONTENT: AS INDICATED

DRAWN BY: **ARTHUR A. REYES**
PRINCIPAL DRAFTSMAN - DESIGN DIVISION

PREPARED BY: **BUNNY L. DAMPIOS**
SENIOR ENGINEER A - DESIGN DIVISION

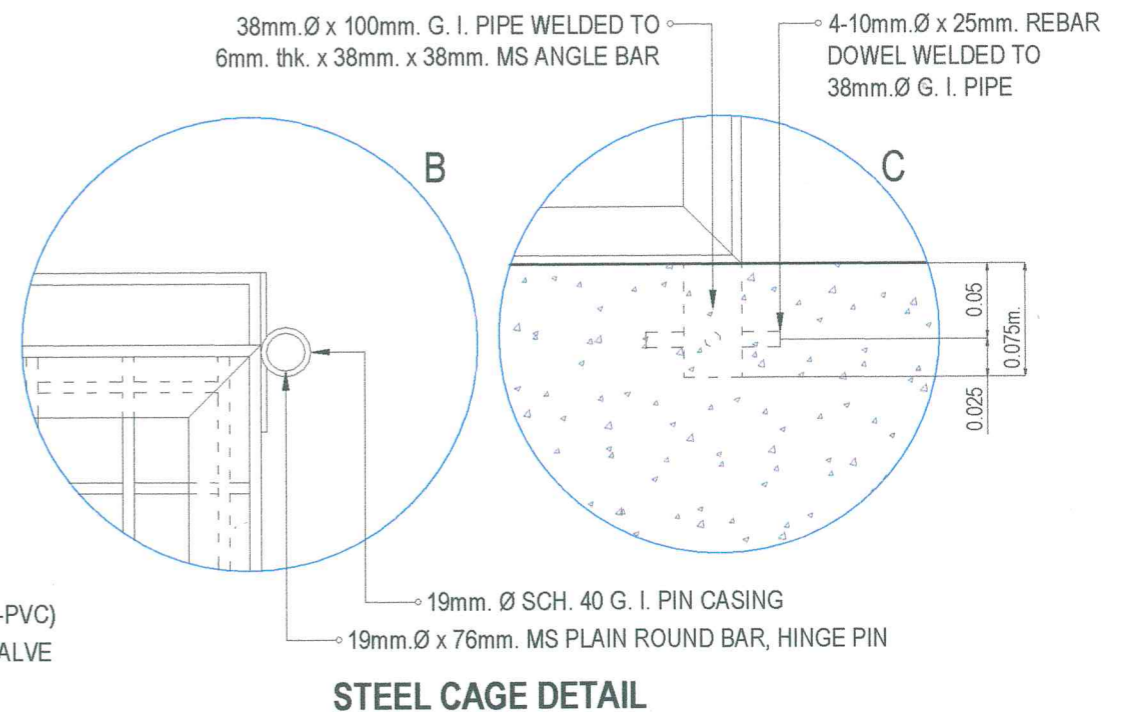
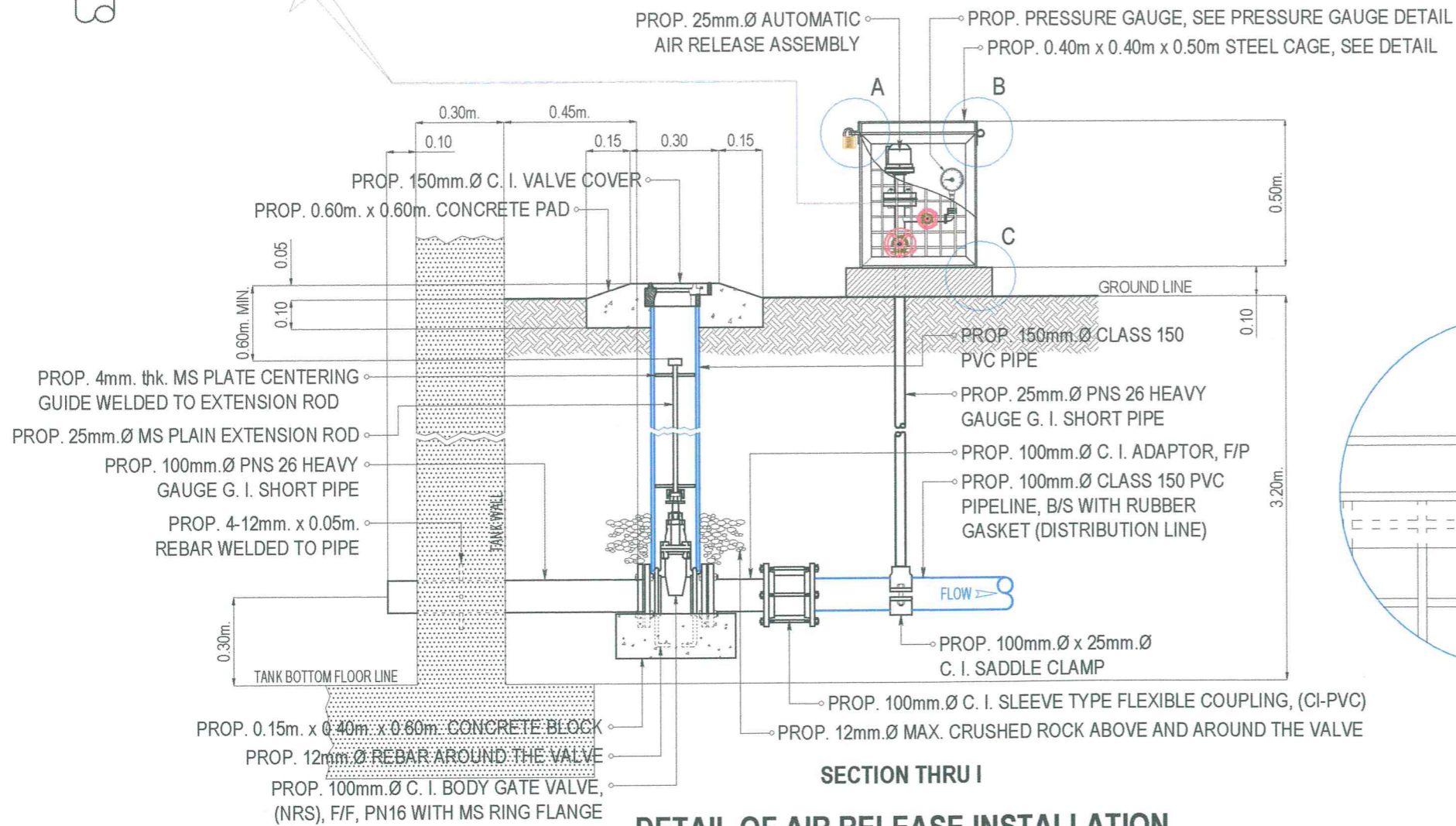
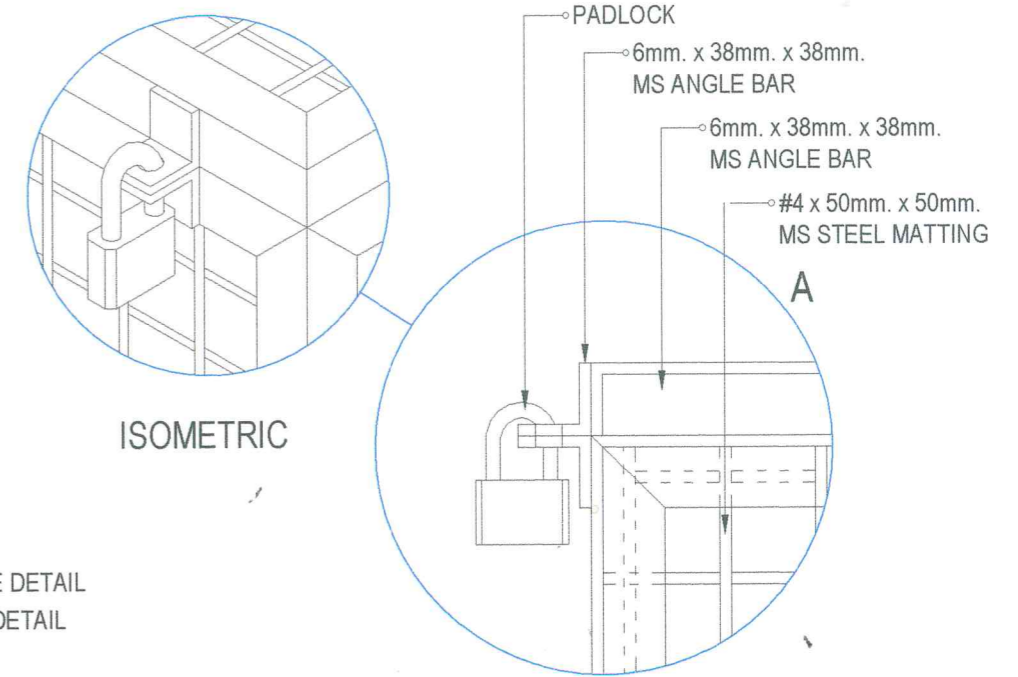
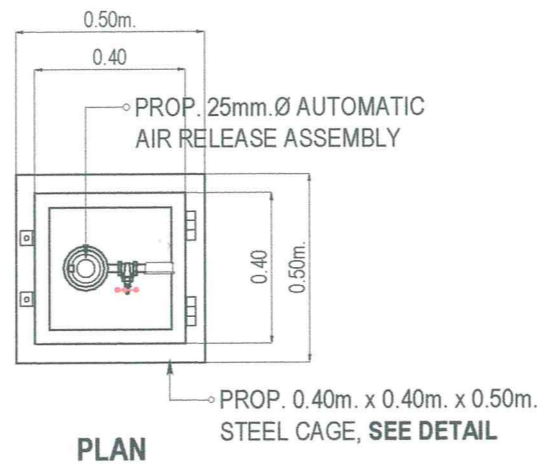
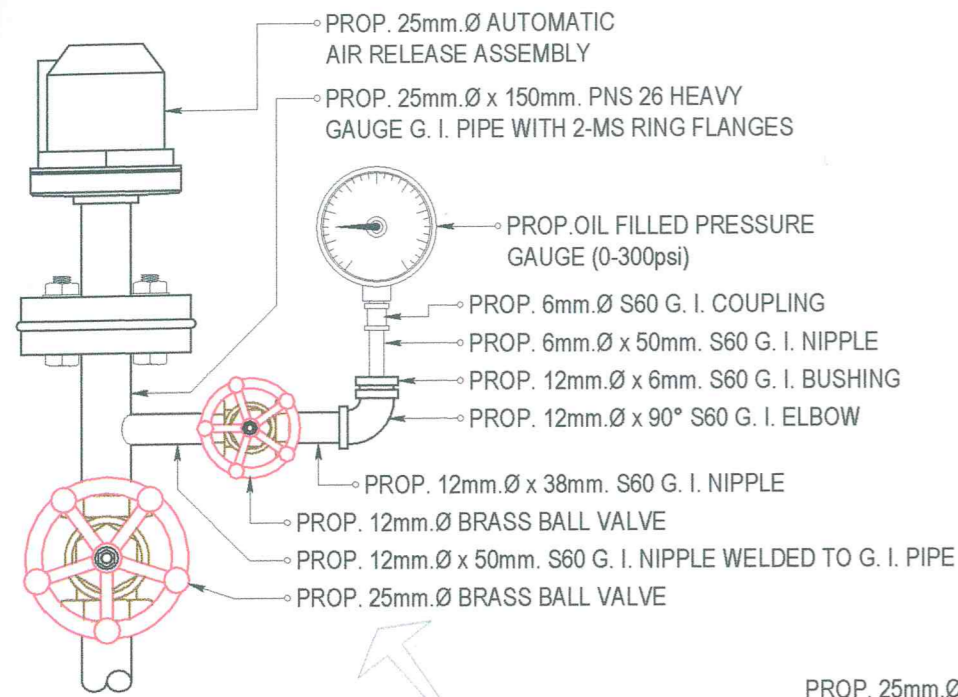
REVIEWED BY: **REX D. SALE, JR.**
SUPERVISING ENGINEER A - DESIGN DIVISION

SUBMITTED BY: **EDITO M. BAUTISTA, JR.**
OIC - DESIGN DIVISION

RECOMMENDING PROJECT IMPLEMENTATION: **MARLI ACOSTA - DE FIESTA**
AGM TECHNICAL SERVICES GROUP

APPROVED FOR PROJECT IMPLEMENTATION: **REYNALDO R. CABILN**
GENERAL MANAGER

SHEET NO. 16



DETAIL OF AIR RELEASE INSTALLATION

SCALE: 1:20 M.

REVISIONS				PROJECT:	DRAWN BY:	PREPARED BY:	REVIEWED BY:	SUBMITTED BY:	RECOMMENDING PROJECT IMPLEMENTATION:	APPROVED FOR PROJECT IMPLEMENTATION:	SHEET NO.
REV.	DATE	BY	DESCRIPTION								
				PROPOSED 300 CU. M. REINFORCED CONCRETE GROUND TANKS AT BALUNO & BANDERA-DULIAN FOR DUMALON WATER SYSTEM	ARTHUR A. REYES PRINCIPAL DRAFTSMAN - DESIGN DIVISION	BUNNY L. DAMPIOS SENIOR ENGINEER A - DESIGN DIVISION	[Signature]	[Signature]	MARLI ACOSTA - DE FIESTA AGM - TECHNICAL SERVICES GROUP	REYNALDO R. CABILAN GENERAL MANAGER	17
SHEET CONTENT:				AS INDICATED							